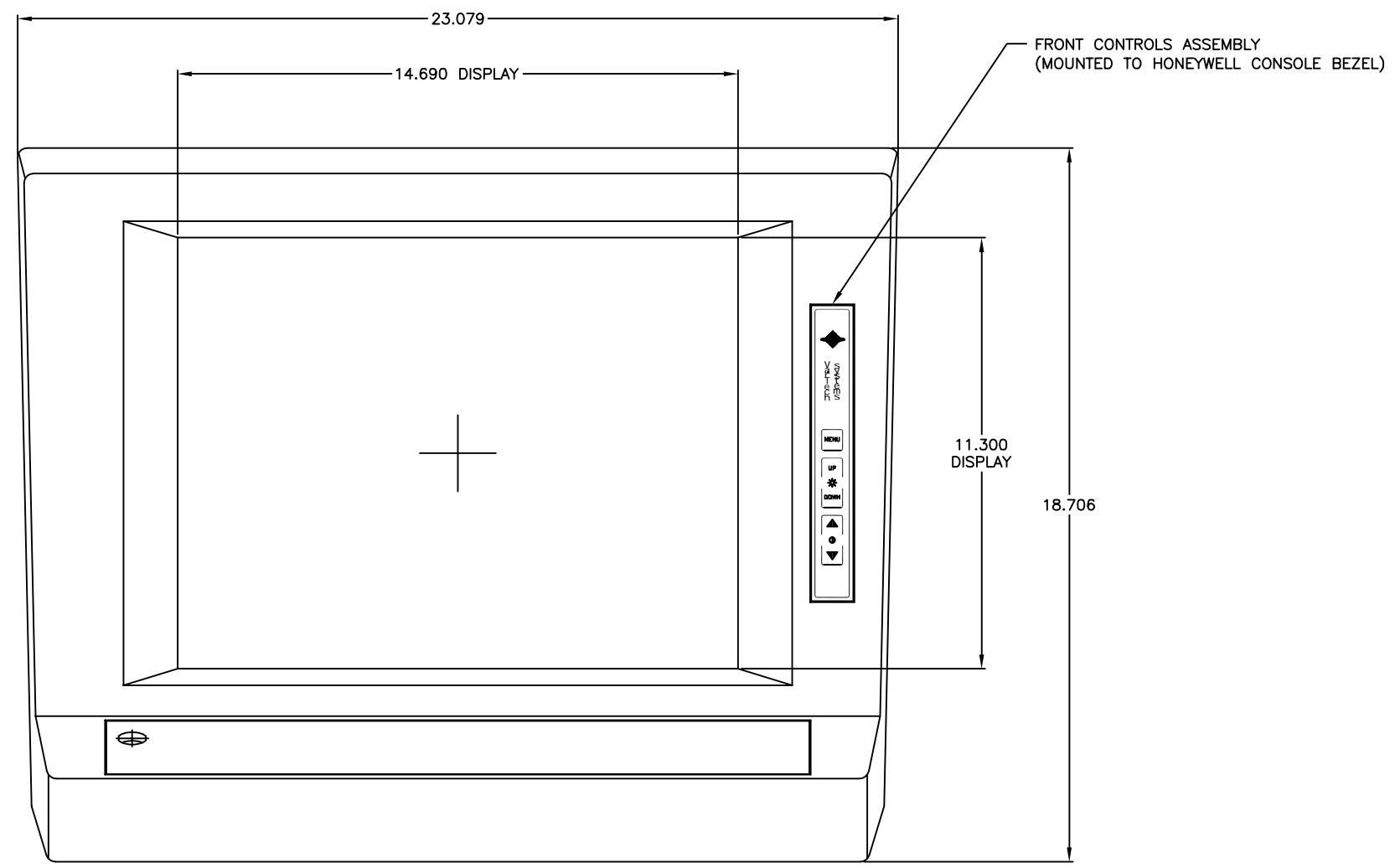
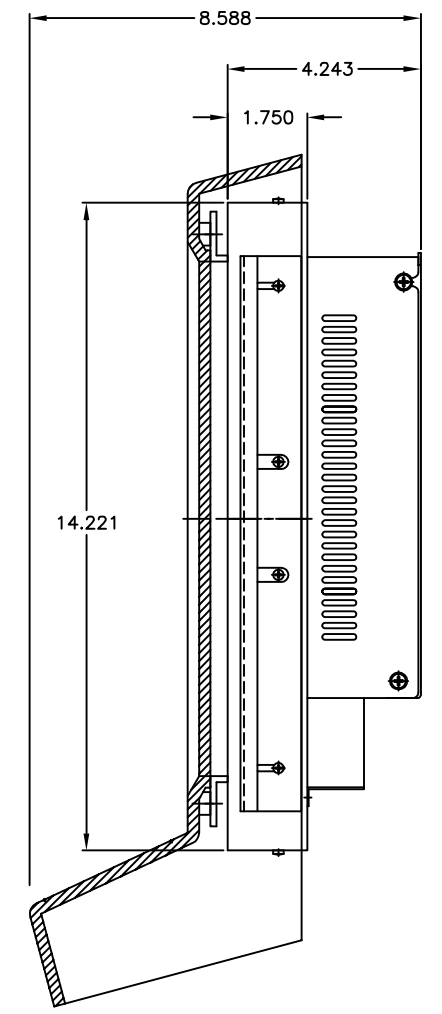


CHANGE HISTORY		
FILE INDEX	DESCRIPTION	APPROVAL INITIAL DATE
A	PRELIMINARY RELEASE	



FRONT VIEW



SIDE VIEW  
SECTION THRU BEZEL

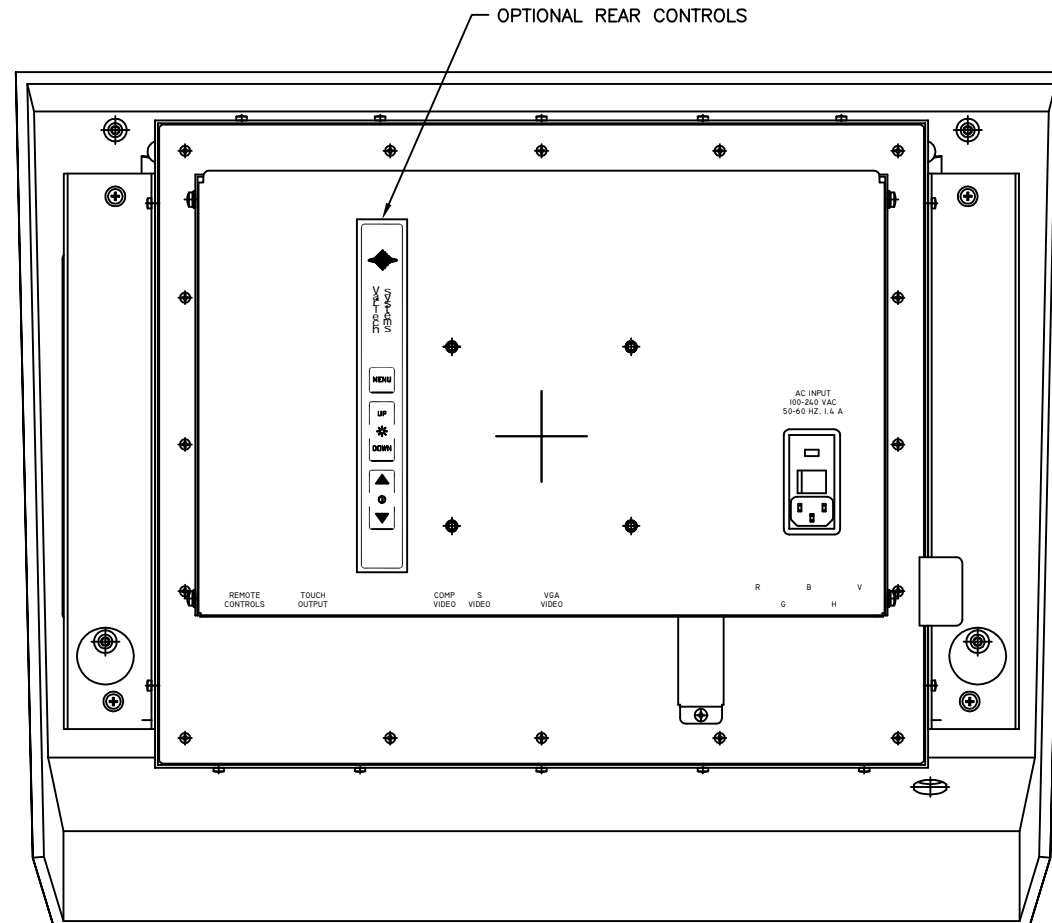
- NOTES:
1. ALL DIMENSIONS ARE NOMINAL AND FOR REFERENCE ONLY. THIS DRAWING SHOULD NOT BE USE FOR DESIGN PURPOSES.
  2. WEIGHT OF UNIT IS 24 LBS.
  3. SHIPPING WEIGHT OF UNIT IS 32 LBS.

GROUP 3-1 & 3-2

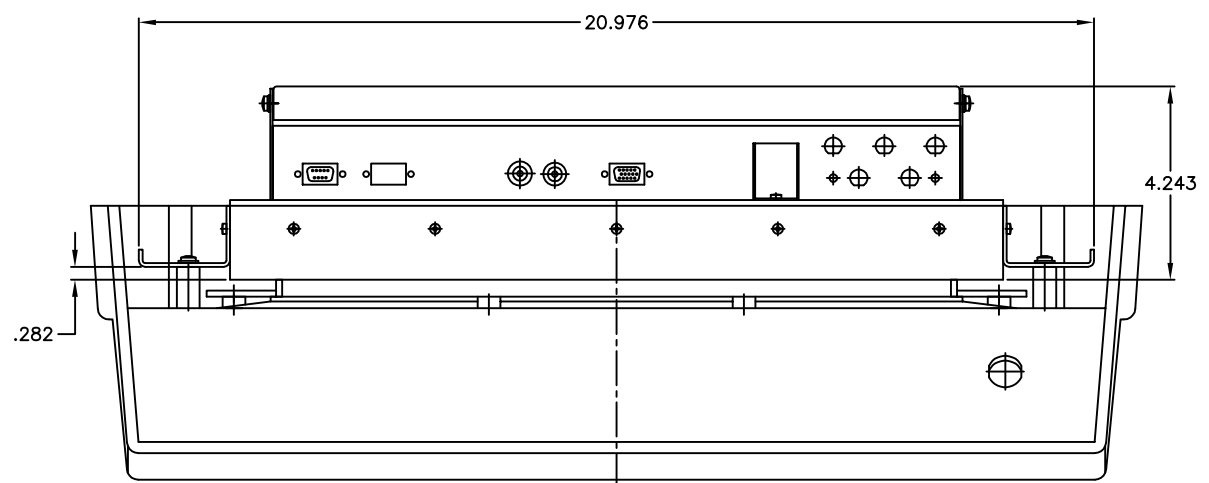
ITEM	QTY	MFR. PT.NO.	DESCRIPTION	SYM/NOTE
LIST OF MATERIALS				
UNLESS OTHERWISE SPECIFIED DIMENSIONS ARE IN INCHES AND APPLY BEFORE FINISH SURFACE ROUGHNESS .125/ TOLERANCE ON FRACTIONS   DECIMALS   ANGLES		DRAWN DMS	DATE 1/25/05	 <b>VARTech SYSTEMS</b> OUTLINE DRAWING VT181CH/CHE-403-1-IS-00
		CHECKED		
		DRAFTING		
		ENGINEER		
MATERIAL		MANUF		
VT181CHE		APPROVED		
VT181CH		QA		
USED ON				
APPLICATION				
FINISH			SIZE D	DWG NO. 601-0141
			SCALE 1 : 2	REV A
			SHEET 1 OF 2	

FILE NUMBER: 6010141A-RA

CHANGE HISTORY		
FILE INDEX	DESCRIPTION	APPROVAL INITIAL DATE
A	PRELIMINARY RELEASE	



REAR VIEW



BOTTOM VIEW

ITEM	QTY	MFR. PT.NO.	DESCRIPTION	SYM/NOTE
LIST OF MATERIALS				
UNLESS OTHERWISE SPECIFIED DIMENSIONS ARE IN INCHES AND APPLY BEFORE FINISH		DRAWN	DATE	 <b>VARTECH SYSTEMS</b> OUTLINE DRAWING VT181CH/CHE-403-1-IS-00
SURFACE ROUGHNESS .125/		CHECKED	1/25/05	
TOLERANCE ON		DRAFTING		
FRACTIONS   DECIMALS   ANGLES		ENGINEER		
± 1/64   ±.XX=.02   ± 1/2		MANUF		SIZE
MATERIAL		APPROVED		D
VT181CHE		QA		DWG NO.
VT181CH				601-0141
USED ON				REV
APPLICATION				A
SCALE 1 : 2			SHEET 2 OF 2	FILE NUMBER: 6010141B-RA