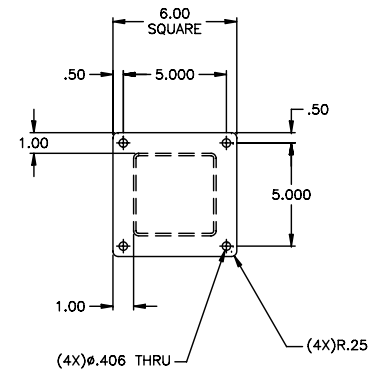
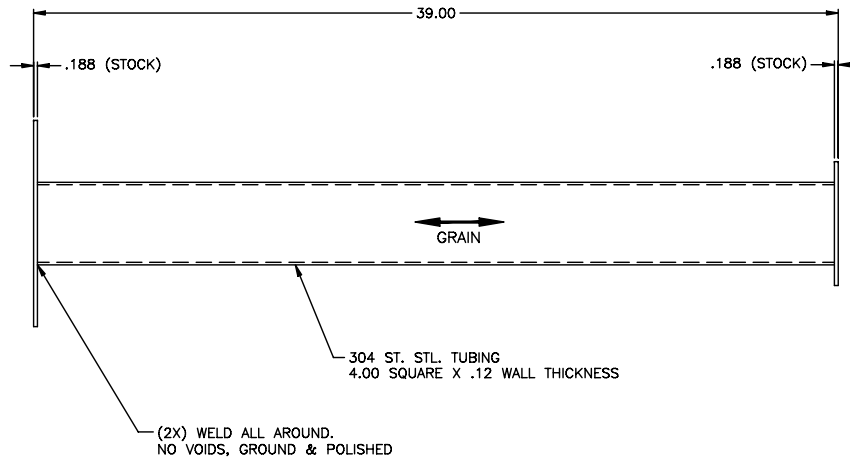
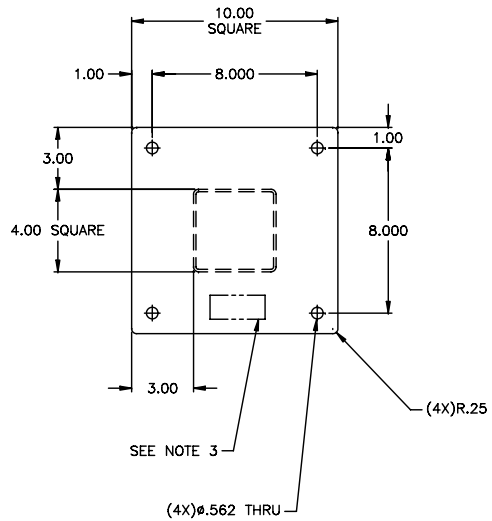


8 7 6 5 4 3 2 1

CHANGE HISTORY		
FILE INDEX	DESCRIPTION	APPROVAL INITIAL DATE
1	PRELIMINARY RELEASE	



**NOTES:**

- 1- REMOVE ALL BURRS AND SHARP EDGES, NO STEP NOTCH MARKS.  
ALL EXPOSED EDGES TO BE BROKEN.
- 2- FINISH:  
ALL WELDING TO BE FREE OF VOIDS AND GROUND & POLISHED.  
#3 GRAINED & POLISHED FINISH AS SHOWN. PASSIVATE
- 3- MARK COMPLETE PART NO. & LATEST REV LEVEL NEARSIDE (210-0998-001 REV 1).

ITEM	QTY	MFR. PT.NO.	DESCRIPTION	SYM/NOTE
LIST OF MATERIALS				
UNLESS OTHERWISE SPECIFIED DIMENSIONS ARE IN INCHES AND APPLY BEFORE FINISH		DRAWN DATE RVJ 07/26/06		<b>VARTECH SYSTEMS</b>
SURFACE ROUGHNESS .125/ TOLERANCE ON FRACTIONS   DECIMALS   ANGLES		CHECKED		
± 1/24 ±.005-009 ± 1/2		DRAFTING		<b>PEDESTAL - SQUARE</b> VT150WKS
MATERIAL		ENGINEER		
304 ST STL		MANUF		
VT150WKS		APPROVED		SIZE D
FINISH #3 GRAINED FINISH PASSIVATE		QA		DWG NO. 210-0998
APPLICATION				REV 1
SCALE 1 : 3				SHEET 1 OF 1

8 7 6 5 4 3 2 1

FILE NUMBER: 2100998-R1