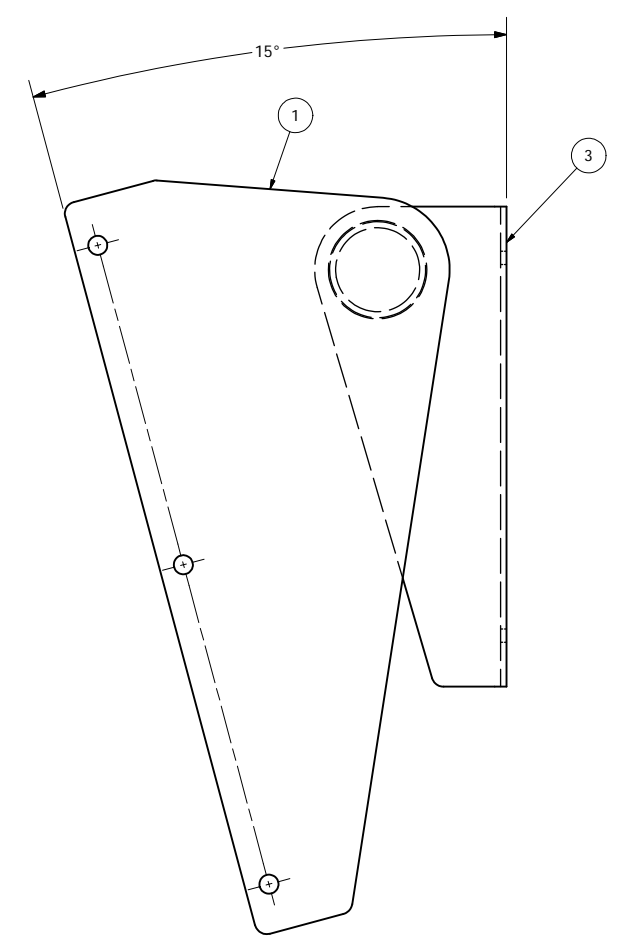
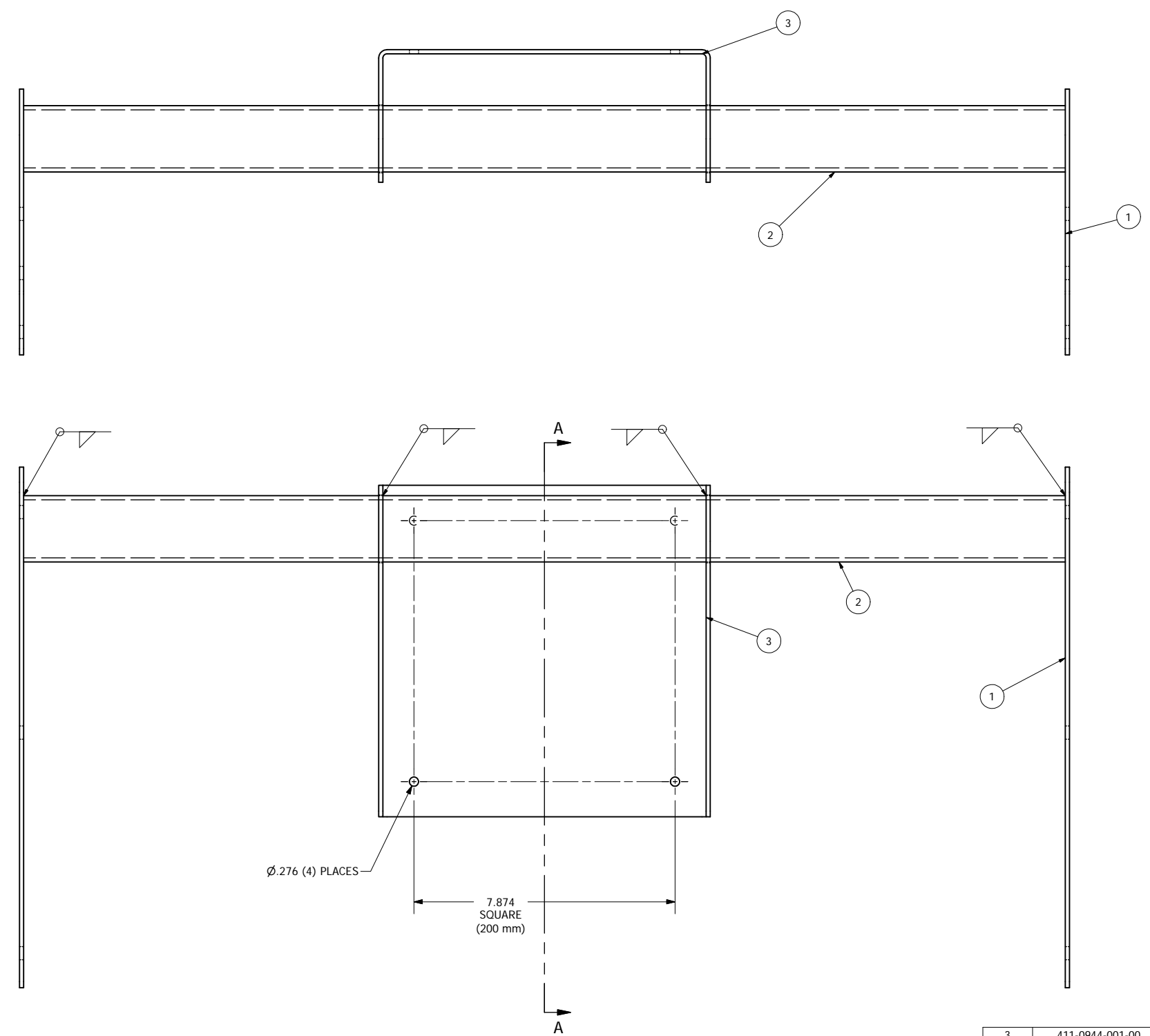


SECTION A-A  
SCALE 1 : 2



ITEM	PART NUMBER	REV	QTY	UoM	DESCRIPTION	VENDOR	UNIT PRICE
3	411-0944-001-00		1	1		VARTECH	
2	411-0943-001-00		1	1		VARTECH	
1	411-0942-001-00		2	1		VARTECH	

PARTS LIST							
DRAWN	mcumbo	8/15/2013					
CHECKED							
QA							
MFG							
APPROVED							
USED ON	MATERIAL:			SIZE	TOLERANCES:	DWG NO	REV
APPLICATION				D	.XX = .01 .XXX = .005	418-0019-001	0
						SHEET 2 OF 2	