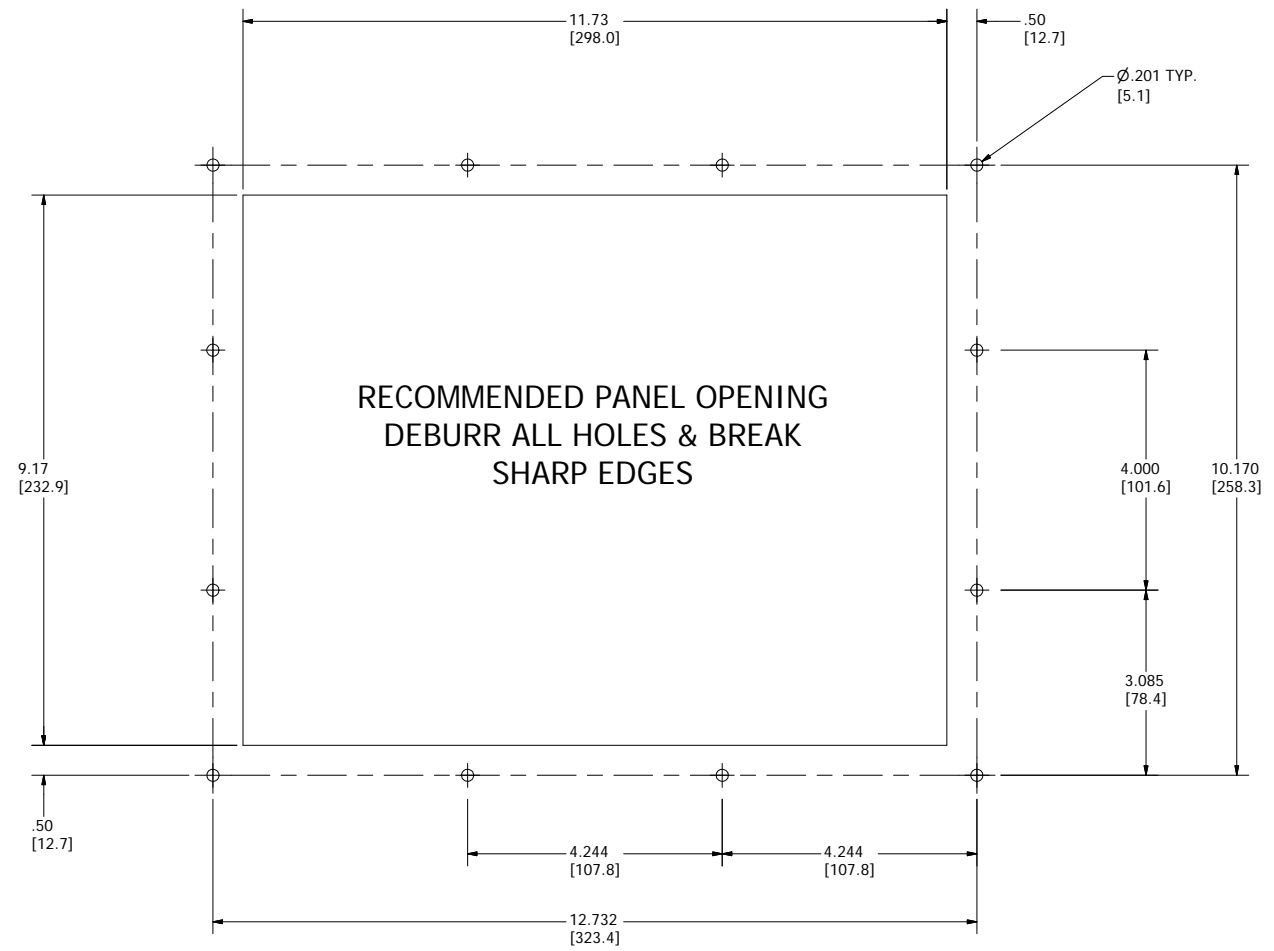
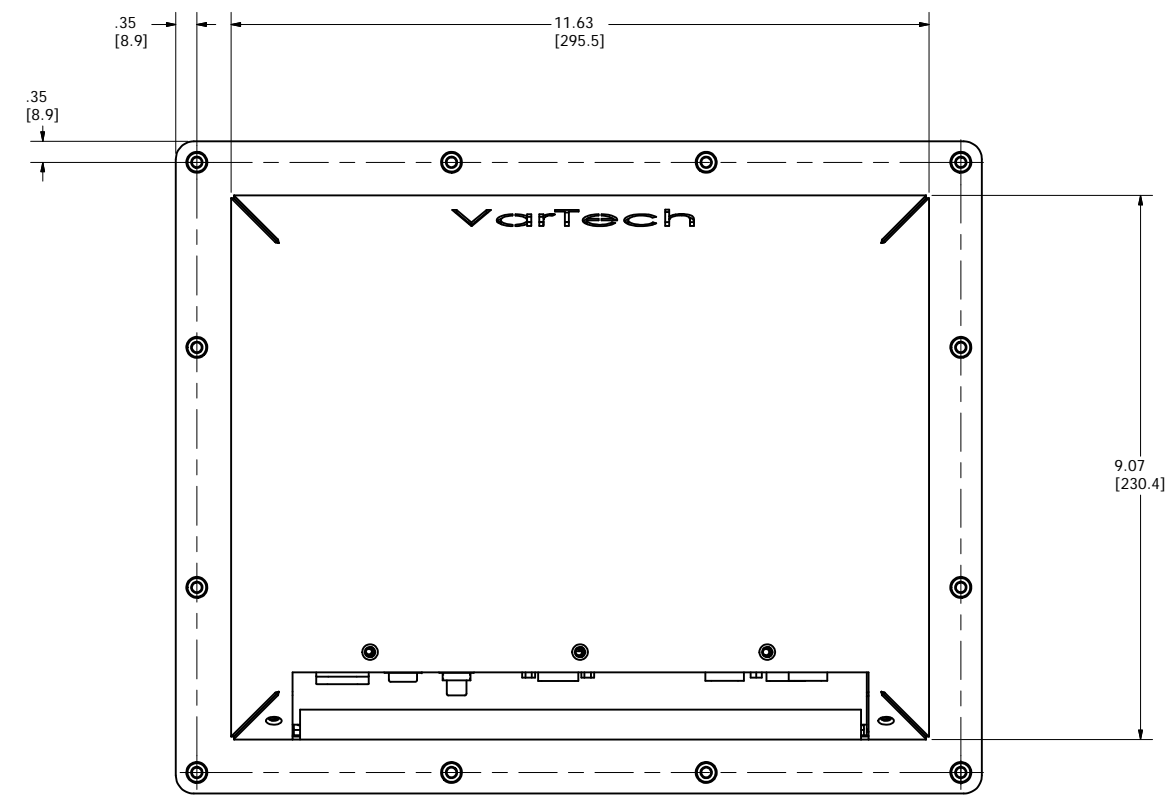
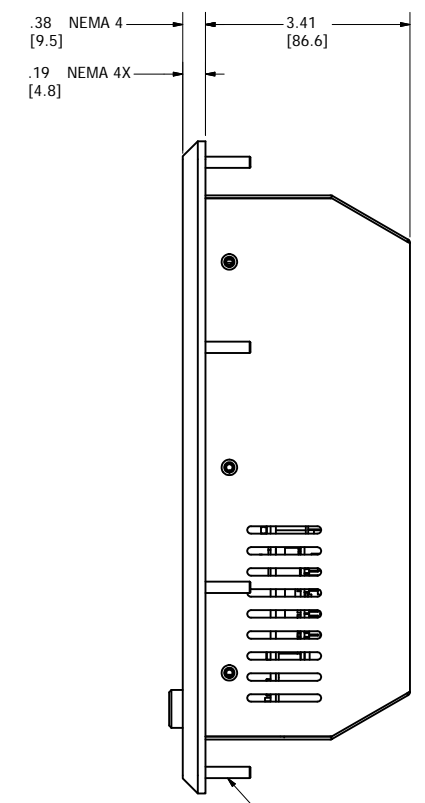
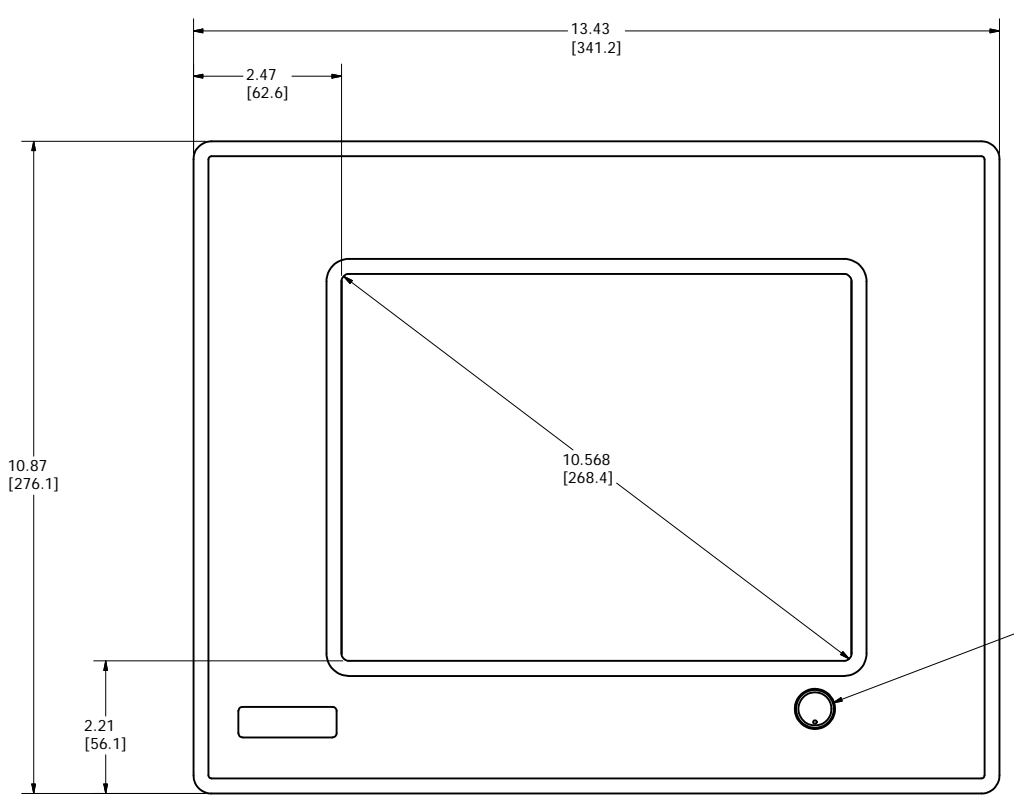
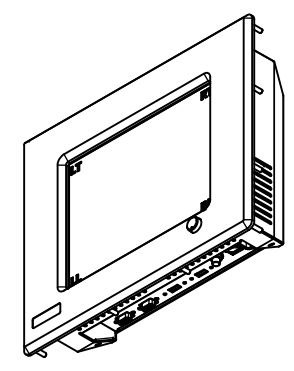
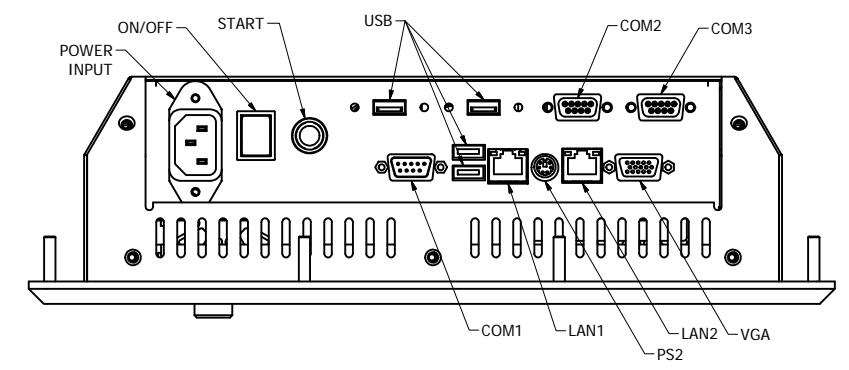


ZONE		REV	REVISION HISTORY	DESCRIPTION	DATE	APPROVED
1		1	REVISED TO SHOW LARGER DISPLAY OPENING		9/17/2010	MLC



#10-32 UNF x 3/4" LONG
(12) PLACES



DRAWN	mcumbo	7/20/2010	VARTECH SYSTEMS			
CHECKED						
QA			TITLE			
MFG			VTPC104P, VTPC104PHB, VTPC104PS & VTPC104PSHB, AC, 133-0003-00X			
APPROVED			SIZE	TOLERANCES:	DWG NO	REV
USED ON			D	.XX = .015 .XXX = .005	482-0087-001	1
APPLICATION			SCALE	1:1	SHEET 1 OF 1	