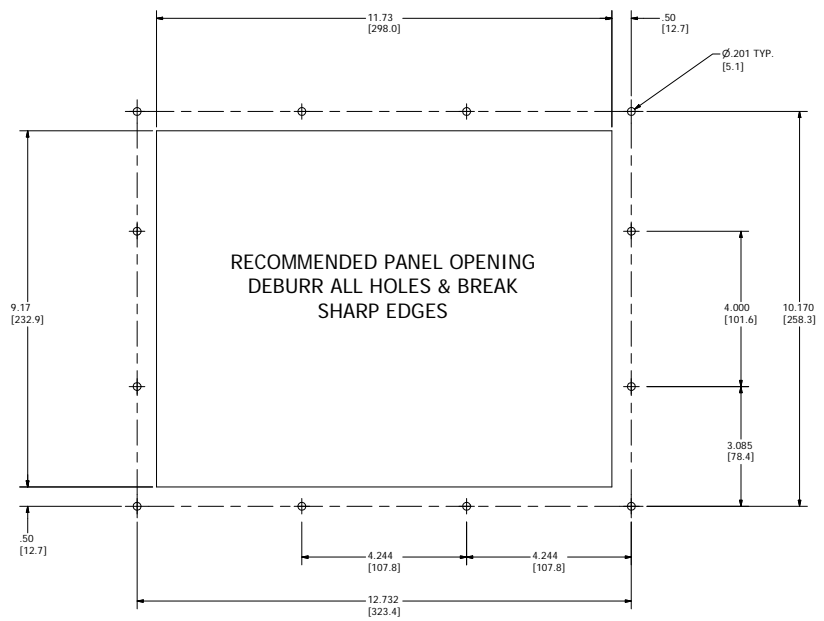
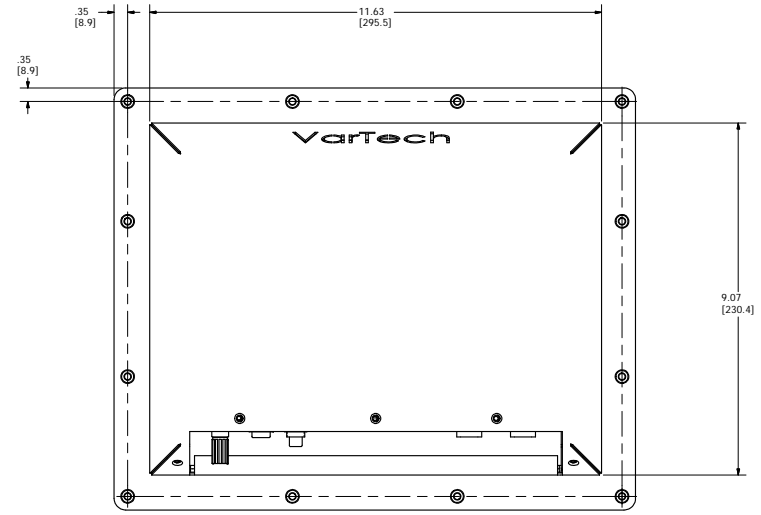
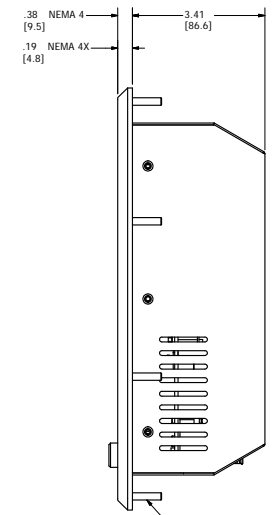
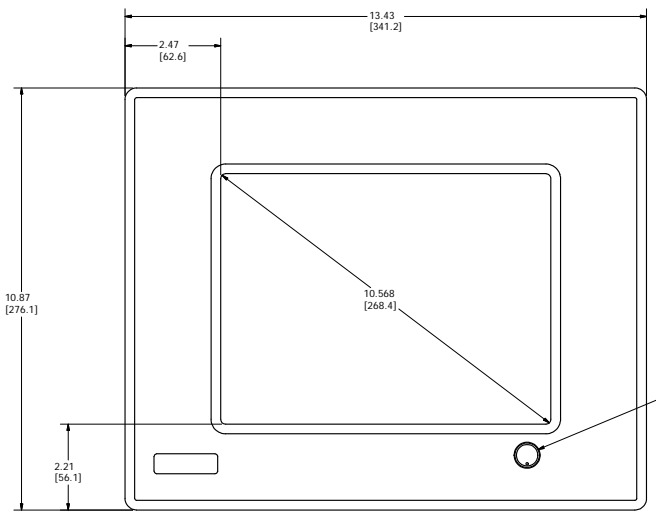
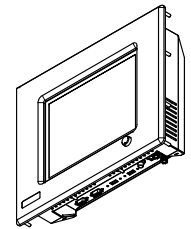
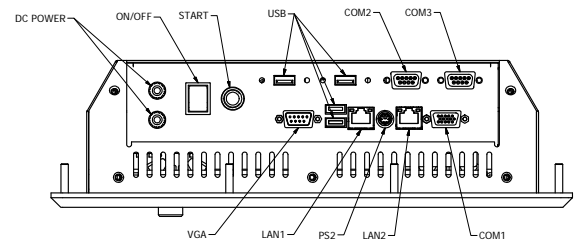


REVISION HISTORY		DATE	APPROVED
ZONE	REV	DESCRIPTION	
	1	REVISED TO SHOW LARGER DISPLAY OPENING	9/17/2010 MLC



#10-32 UNF x 1/2" LONG (12) PLACES



DRAWN mclumbo	7/20/2010		
CHECKED			
QA		TITLE	
MFG		VTPC104P, VTPC104PHB, VTPC104PS & VTPC104PSHB, DC w/AXIOMTEK #SBC84831	
APPROVED		SIZE	TOLERANCES:
USED ON		D	.004 - .005
APPLICATION		SCALE	1:1
		DWG NO	482-0088-001
		REV	1
		SHEET 1 OF 1	