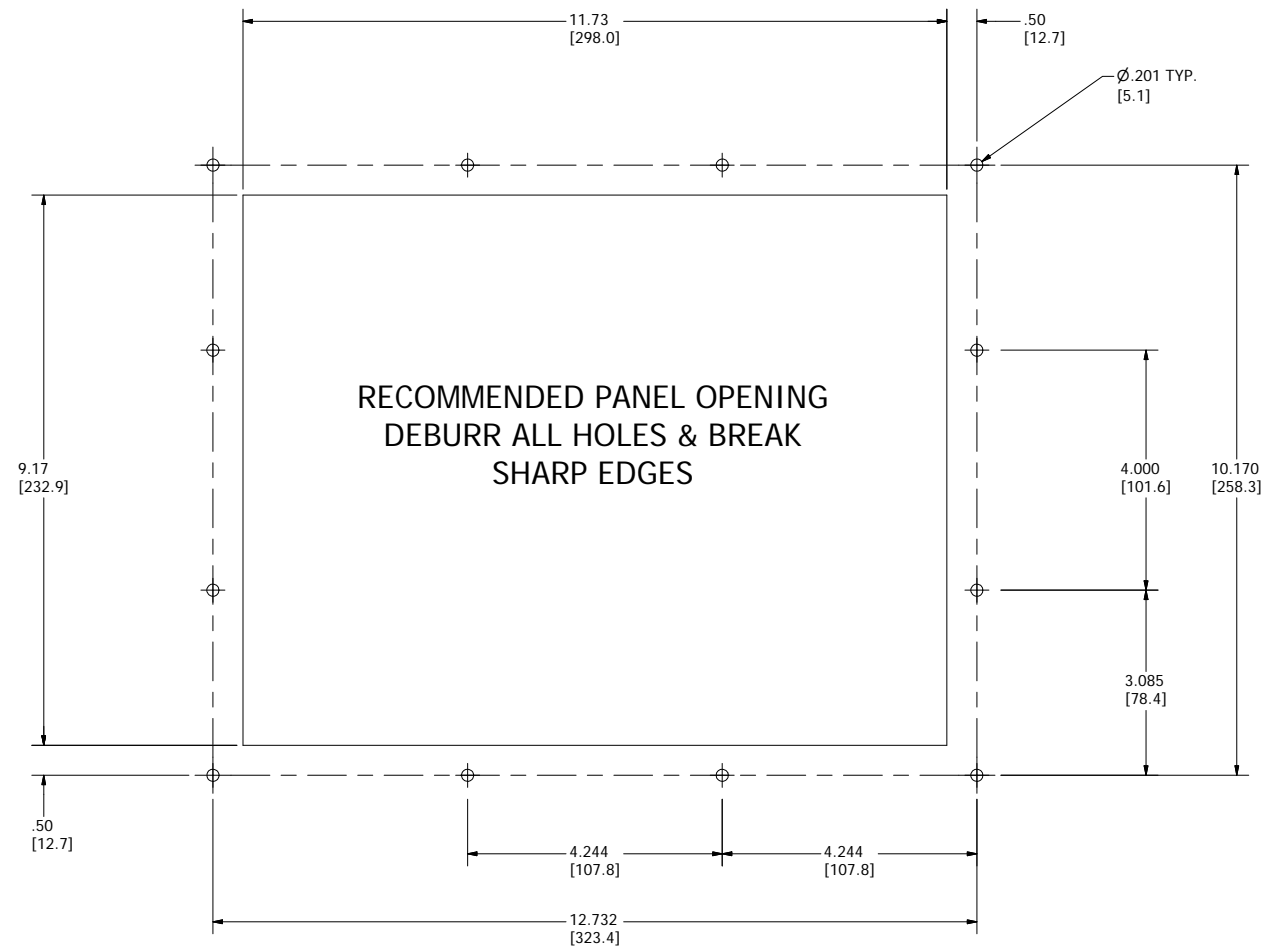
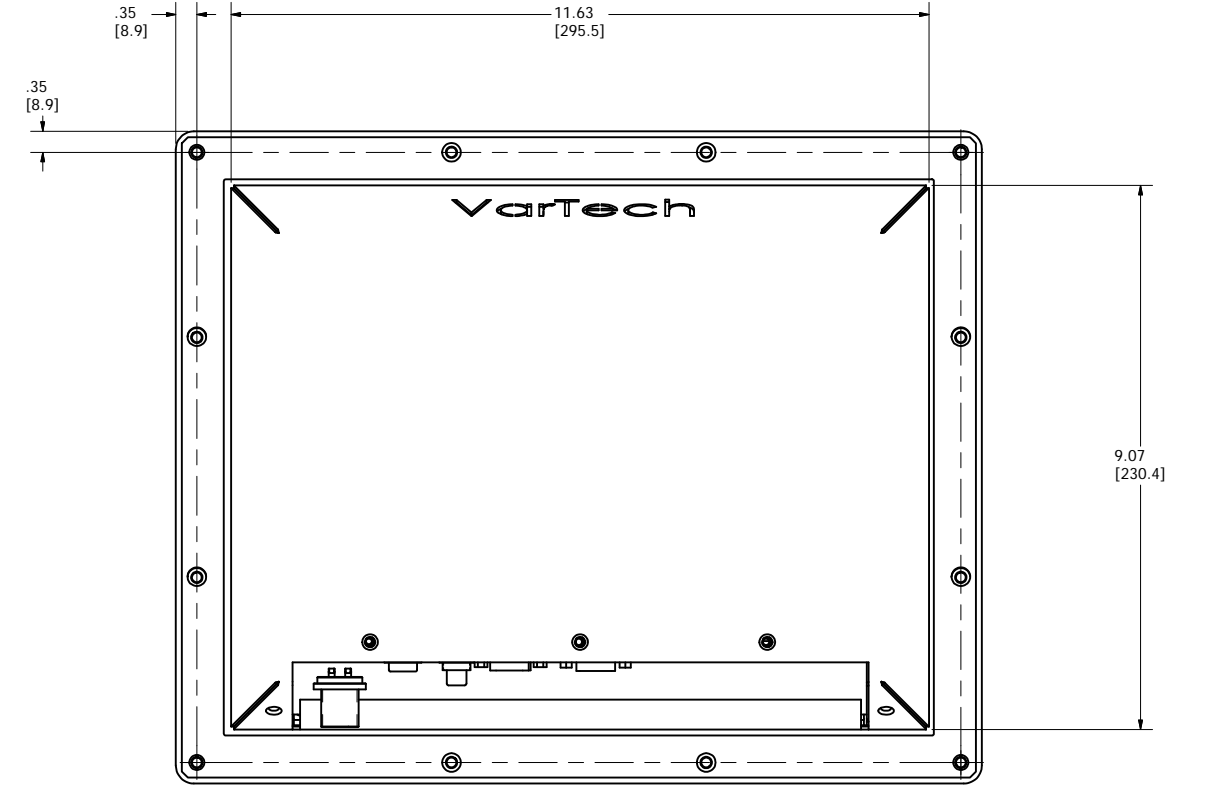
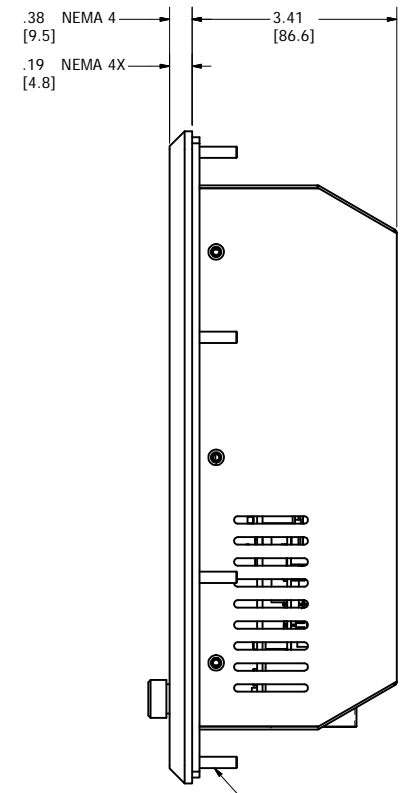
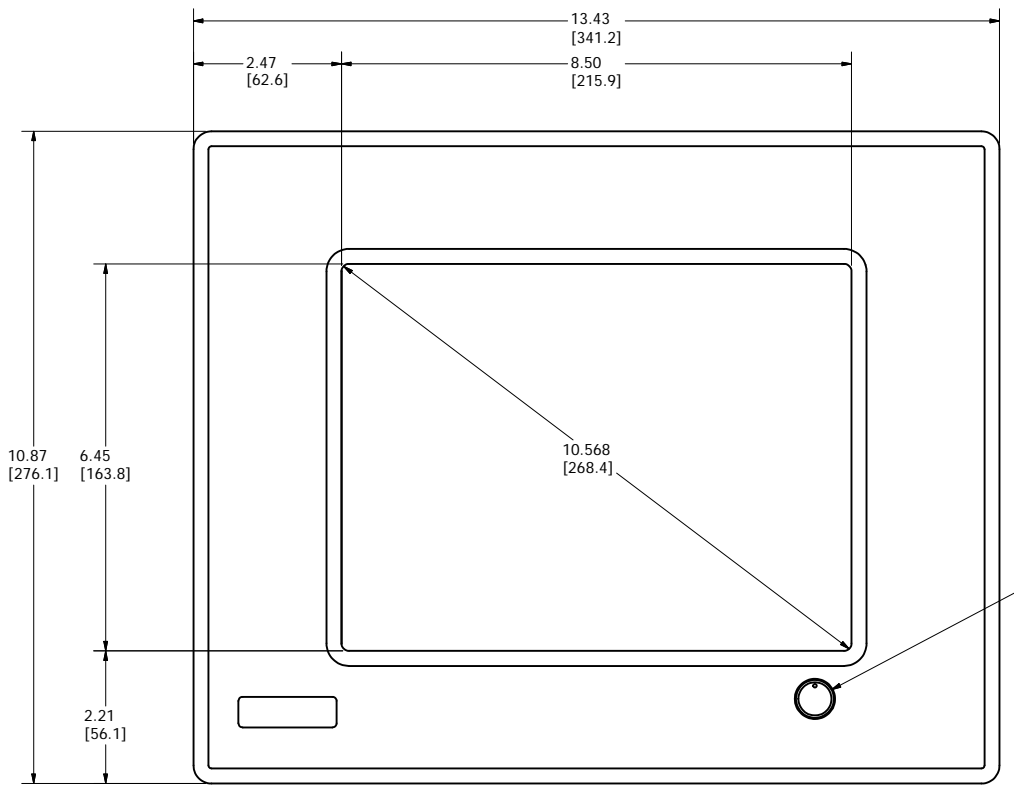
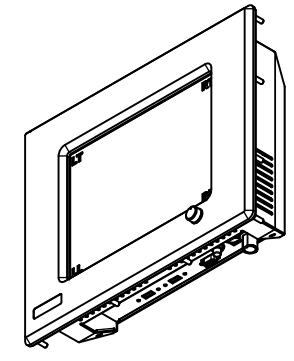
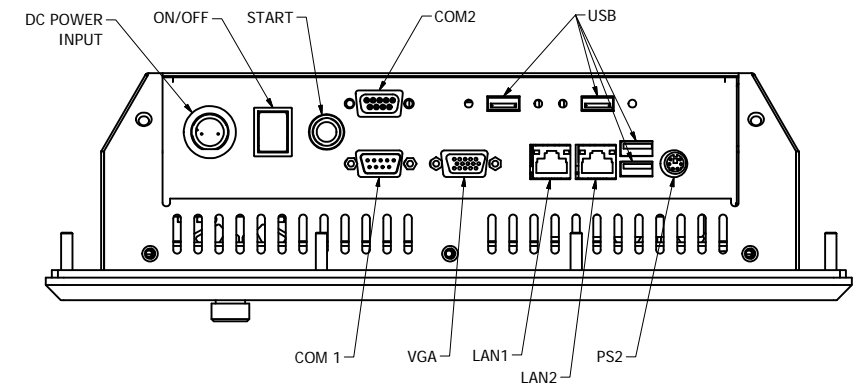


ZONE		REV	DESCRIPTION	DATE	APPROVED
1		1	REVISED TO SHOW LARGER DISPLAY OPENING	9/17/2010	MLC
2		2	MODIFIED BINDING POSTS TO SINGLE CIRCULAR POWER CONNECTOR.	3/20/2013	HEC



#10-32 UNF x 3/4" LONG (12) PLACES



DRAWN	mcumbo	7/20/2010	VARTECH SYSTEMS			
CHECKED						
QA			TITLE			
MFG			VTPC104P, VTPC104PHB, VTPC104PS & VTPC104PSHB, DC, 133-0006-00X			
APPROVED			SIZE	TOLERANCES:	DWG NO	REV
USED ON			D	.XX = .015 .XXX = .005	482-0090-001	2
APPLICATION			SCALE	1:1	SHEET 1 OF 1	