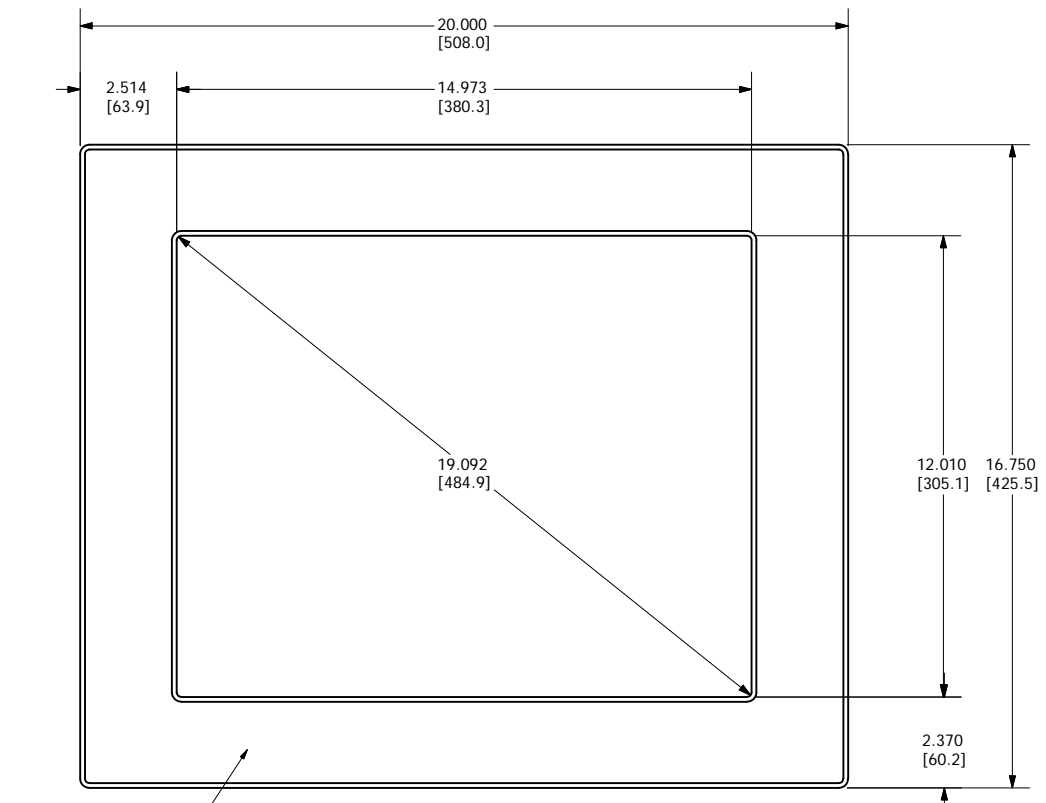
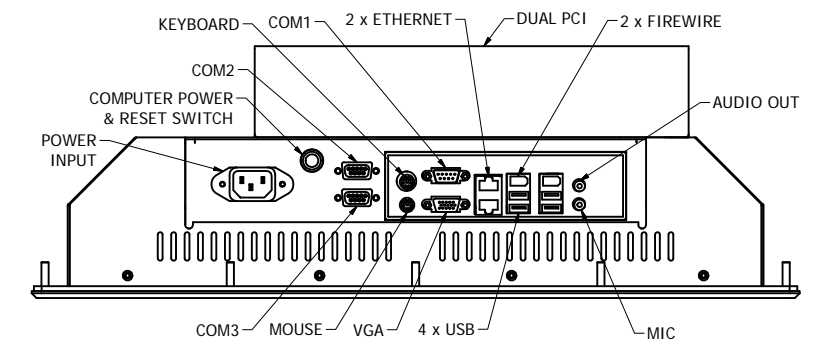
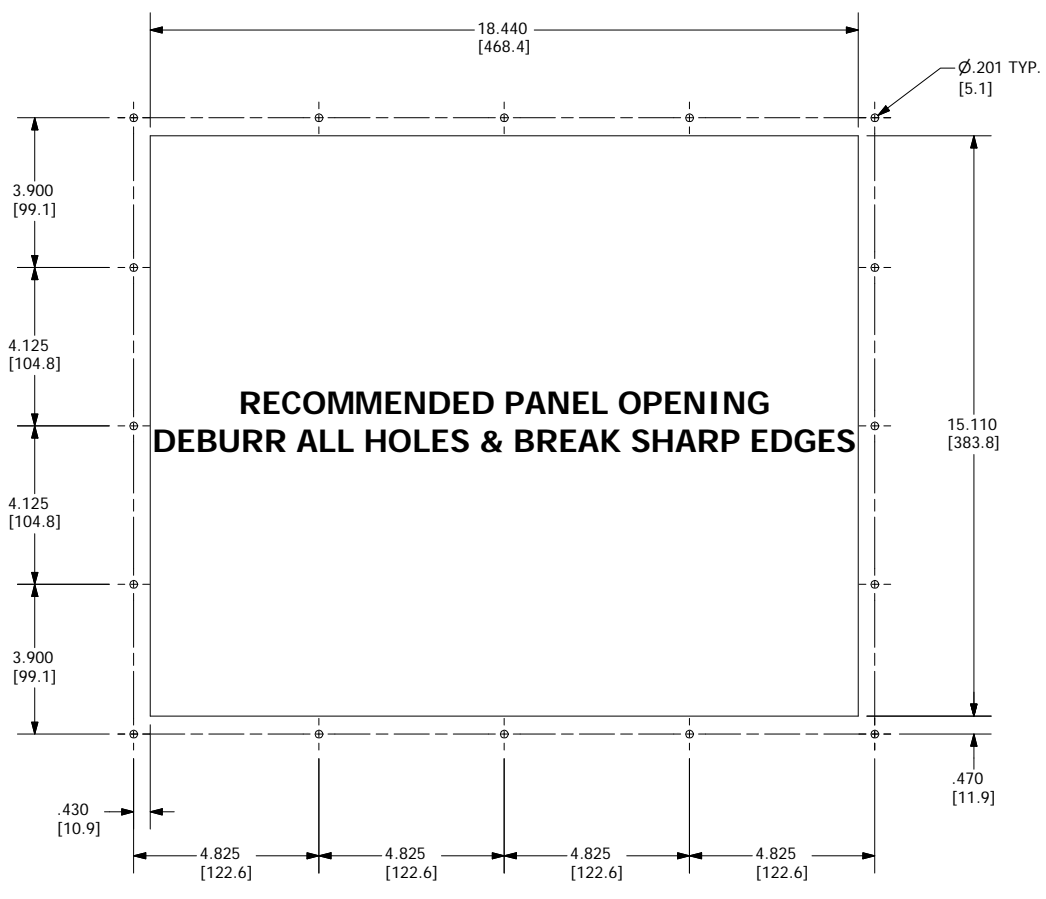
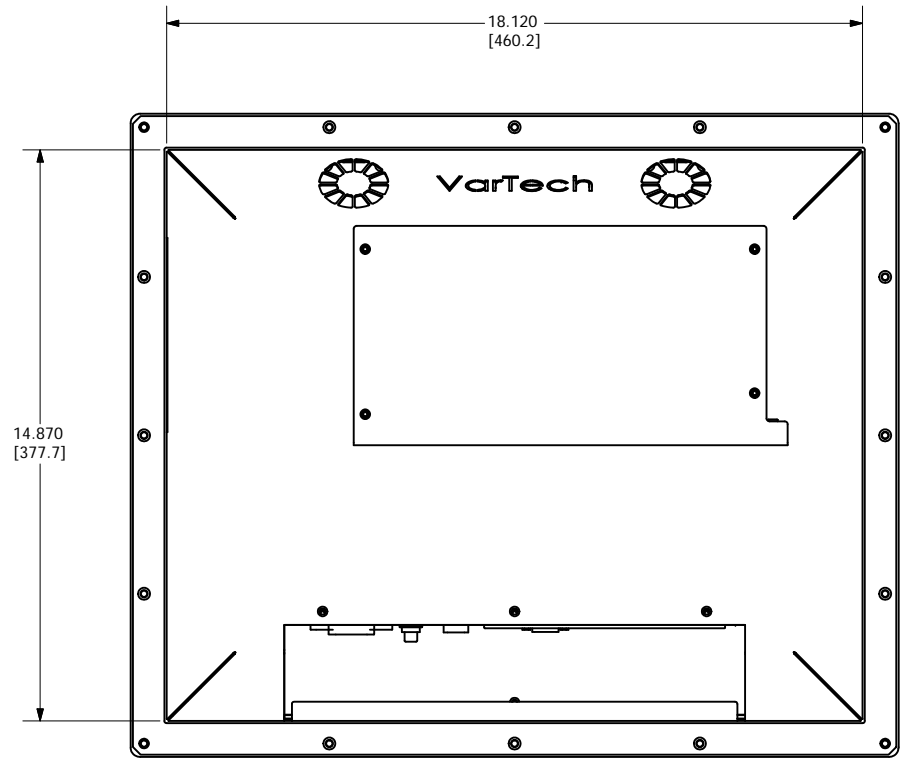
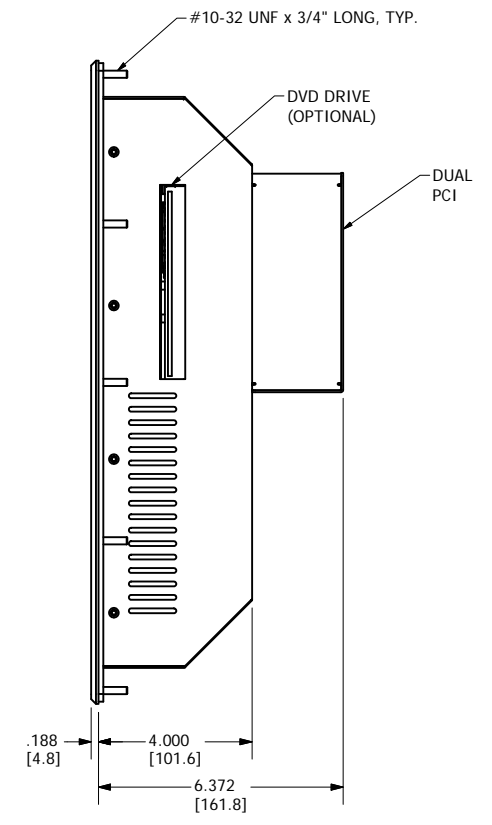


8 7 6 5 4 3 2 1



NEMA 4X STAINLESS STEEL FACEPLATE



DRAWN	mcumbo	5/1/2013	VARTECH SYSTEMS			
CHECKED						
QA			TITLE			
MFG			OUTLINE DRAWING, VTPC900PS w/ PCI, 133-0005			
APPROVED			SIZE	TOLERANCES:	DWG NO	REV
USED ON	MATERIAL:		D	.XX = .01 .XXX = .005	482-0197-001	0
APPLICATION			FINISH:			SHEET 1 OF 1

8 7 6 5 4 3 2 1