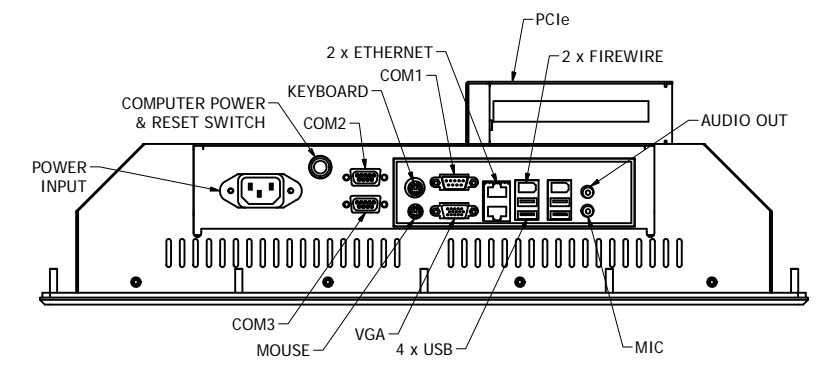
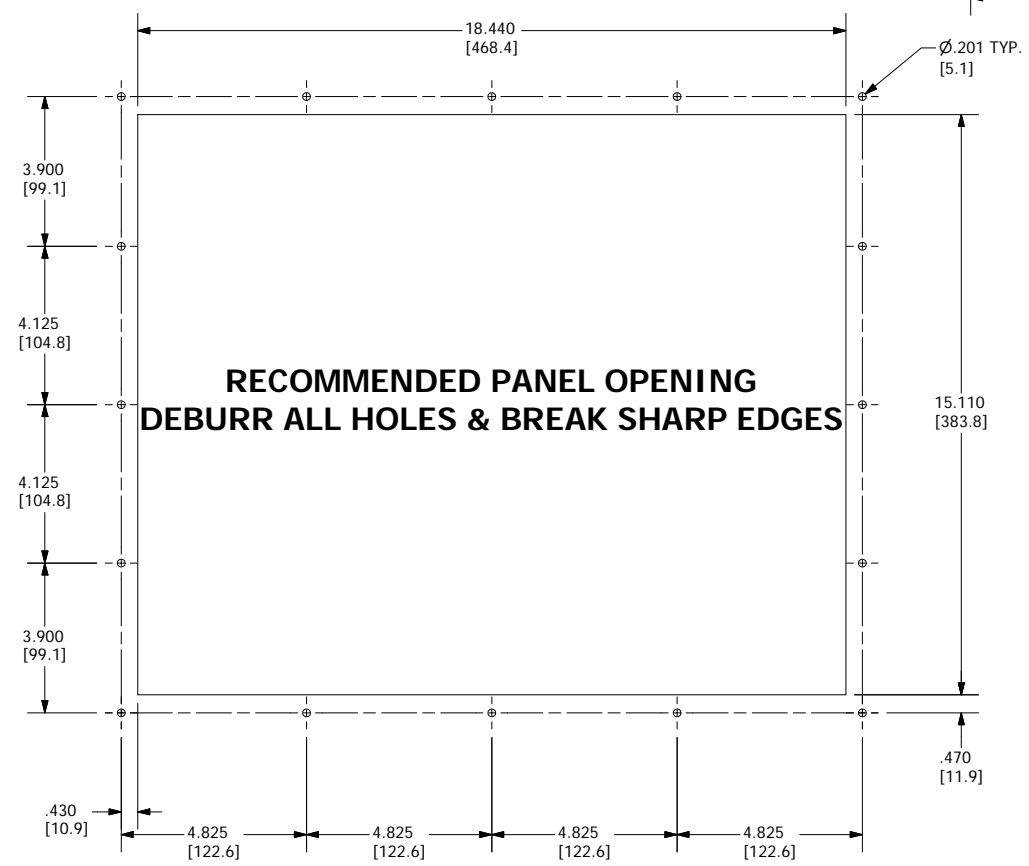
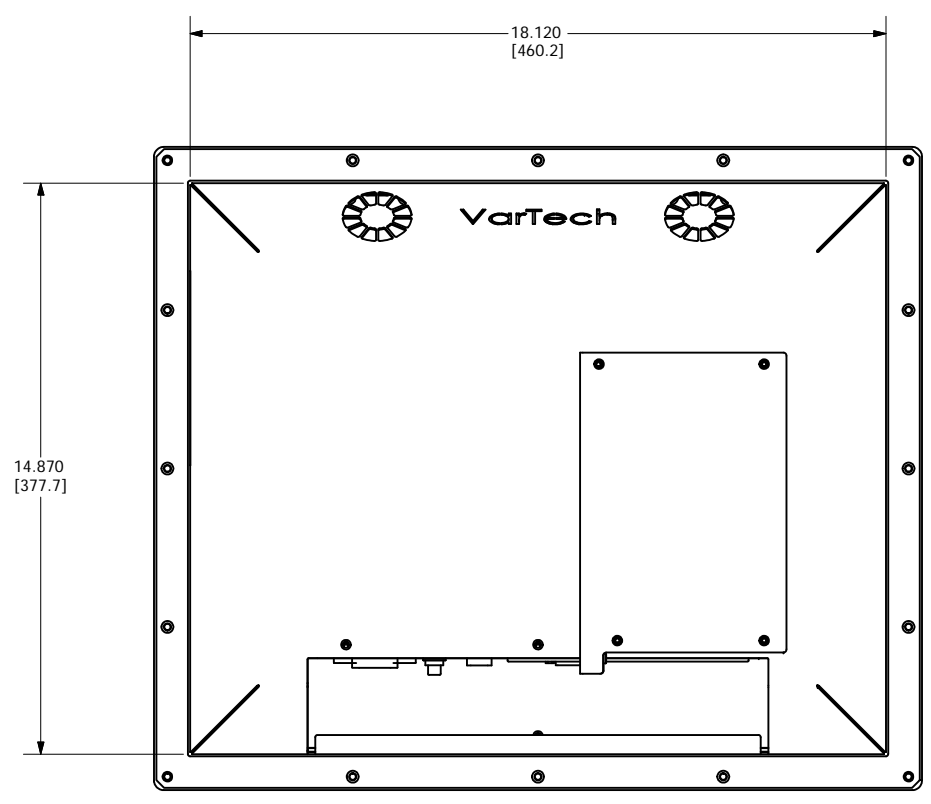
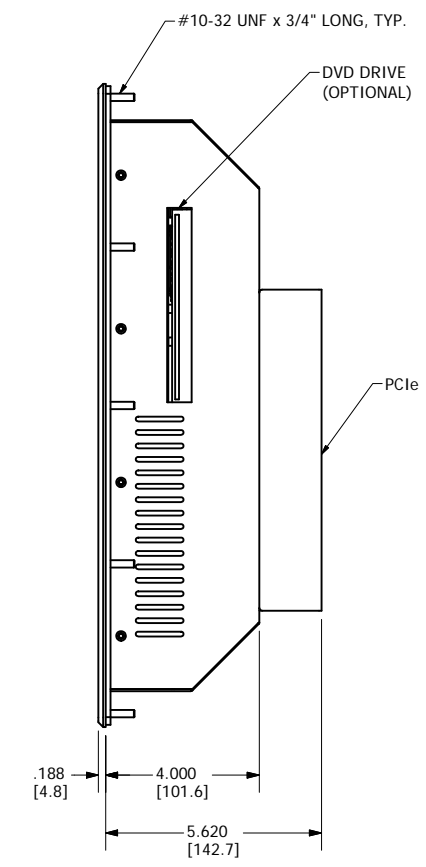


NEMA 4X STAINLESS STEEL FACEPLATE



	DRAWN	mcumbo	5/1/2013	VARTECH SYSTEMS	
	CHECKED				
	QA			OUTLINE DRAWING, VTPC900PS w/ PCIe, 133-0005	
	MFG			SIZE	TOLERANCES:
	APPROVED			D	.XX = .01 .XXX = .005
	USED ON	MATERIAL:		DWG NO	482-0198-001
	APPLICATION			REV	0
				FINISH:	
				SHEET 1 OF 1	