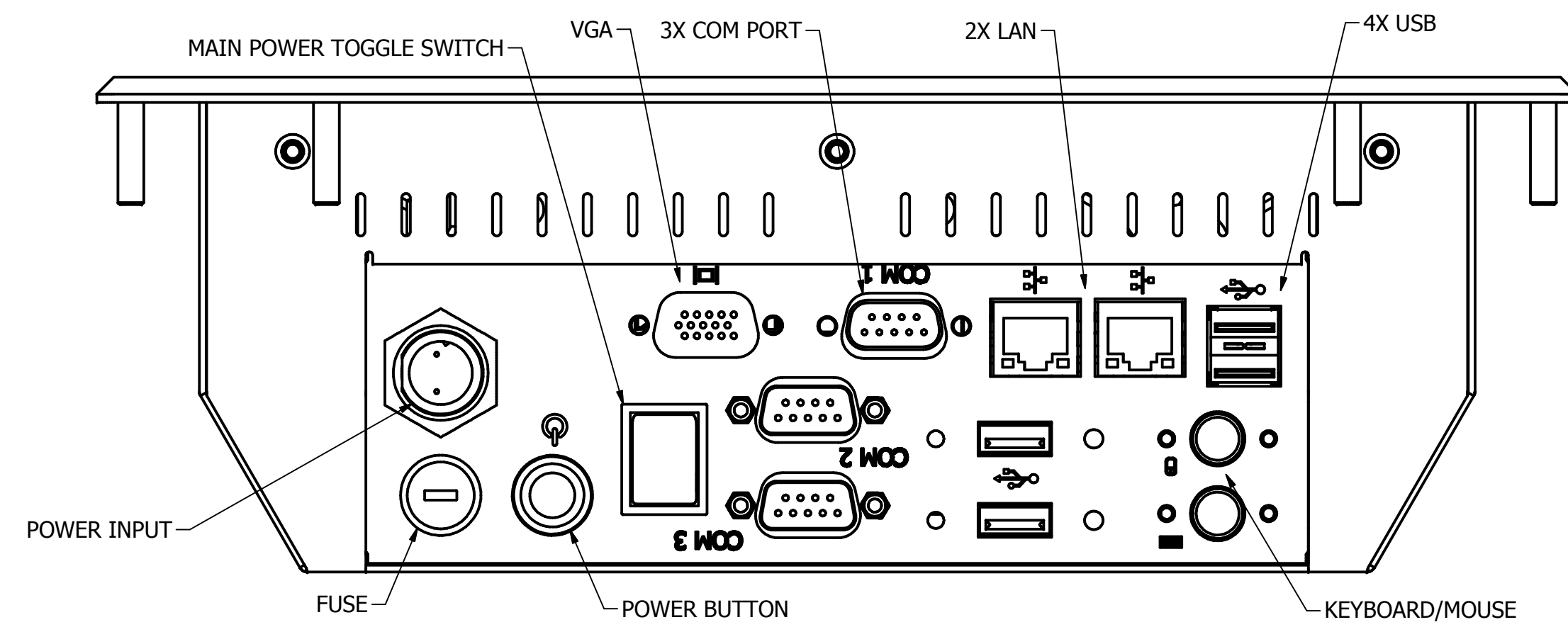
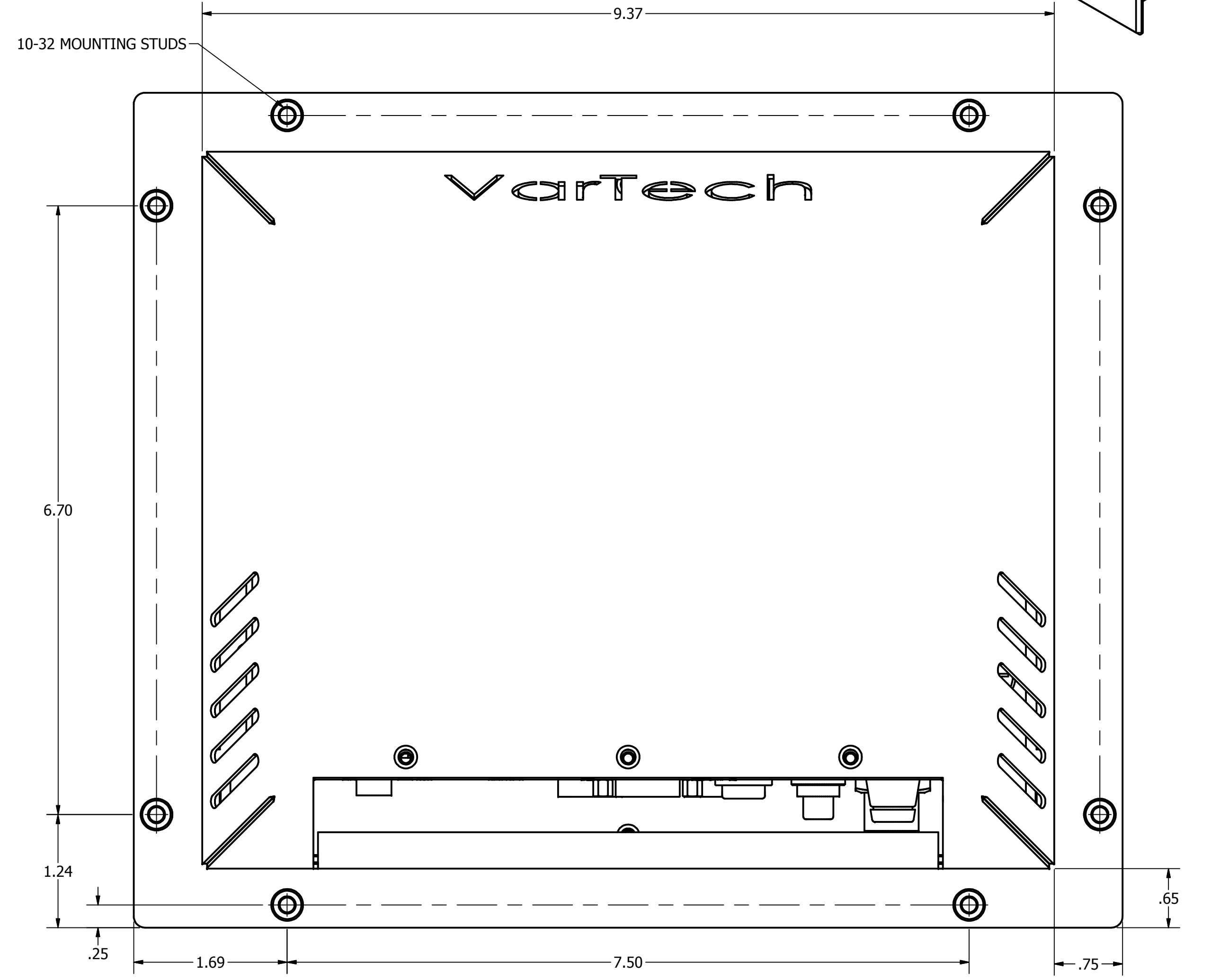
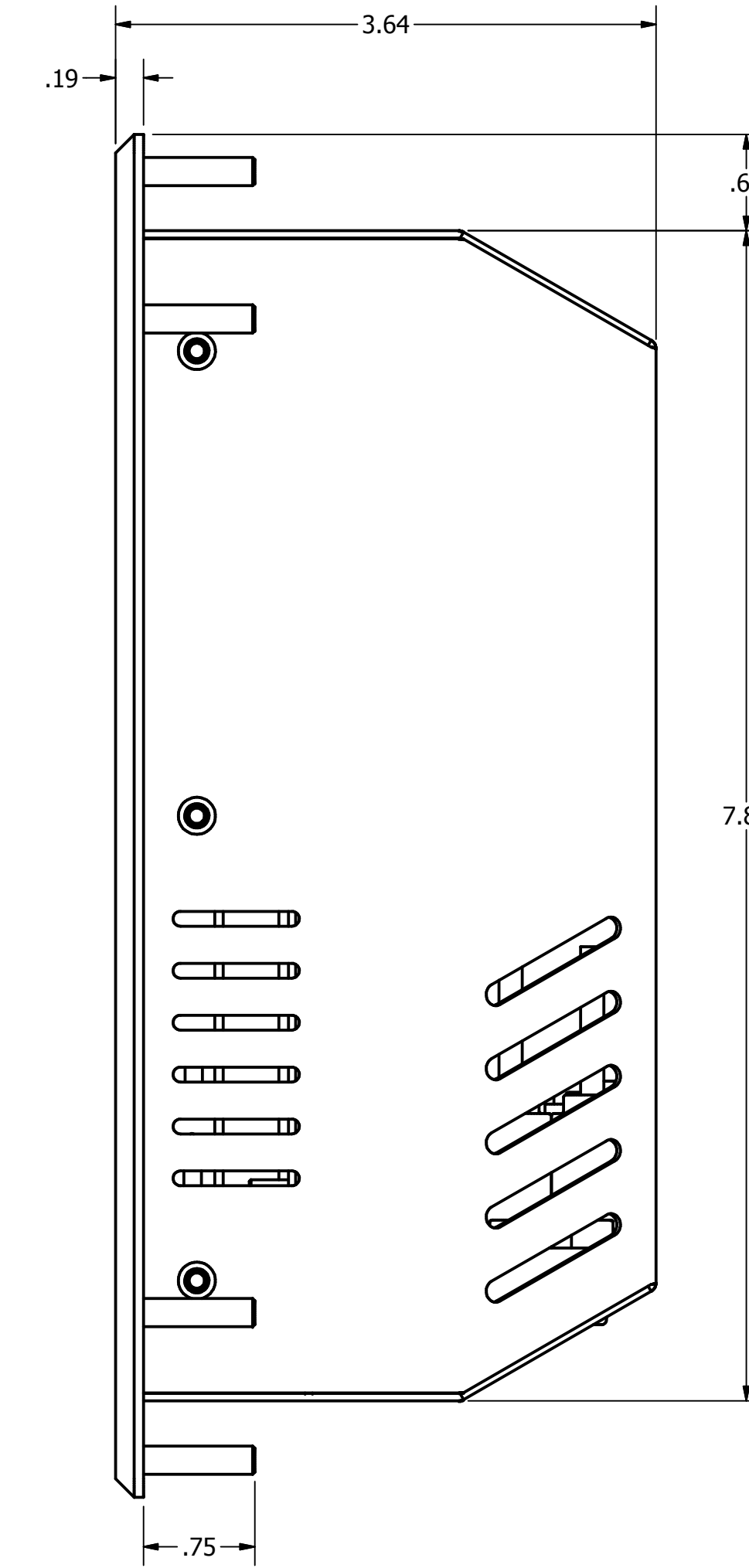
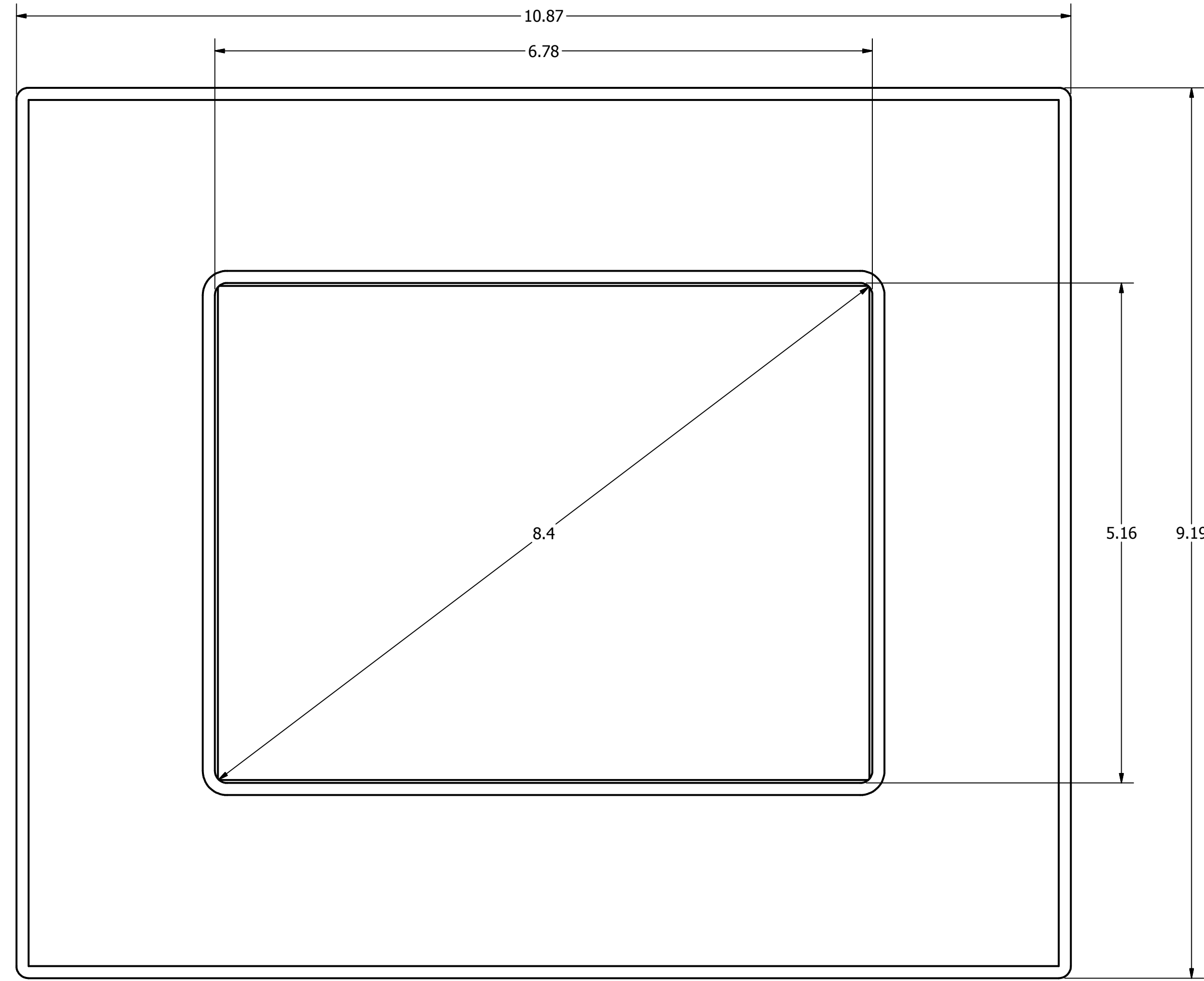
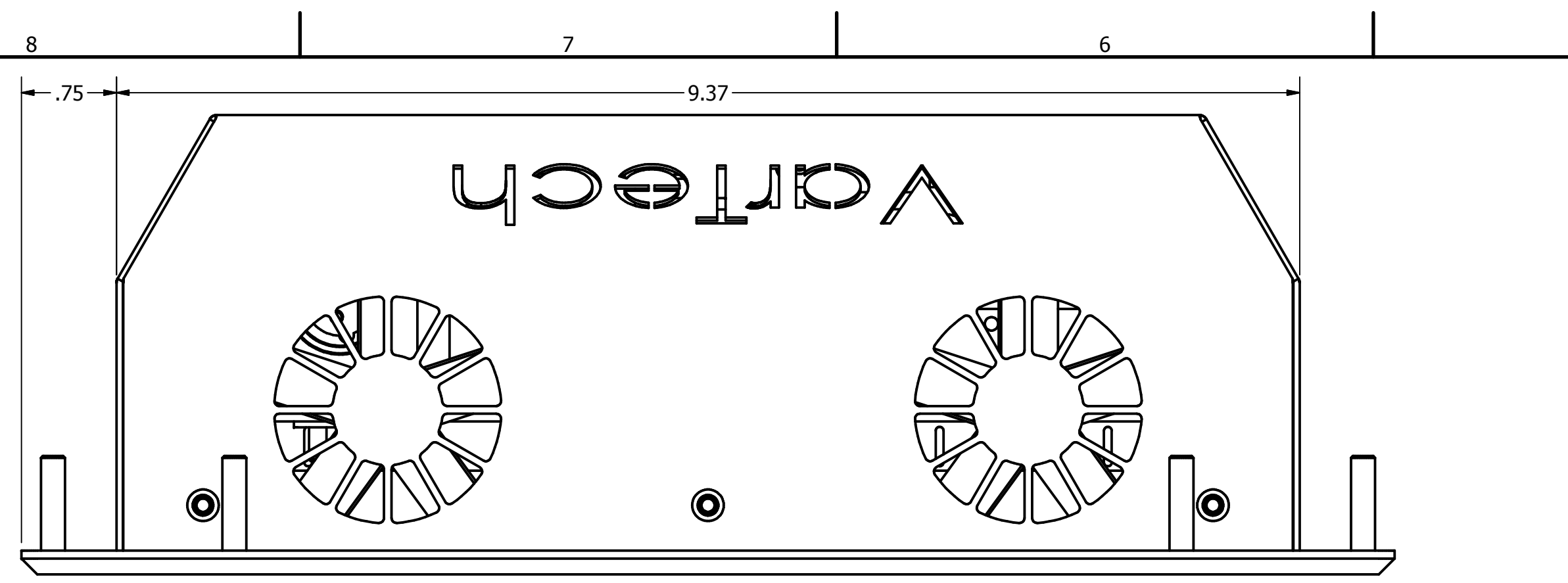
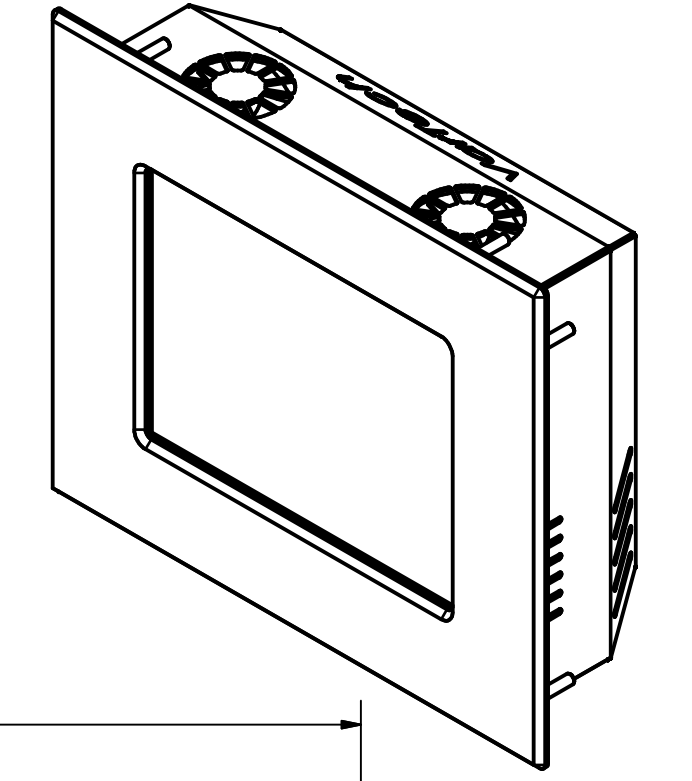


REVISION HISTORY			
REV	DESCRIPTION	APPROVED	DATE
1	RELEASE	COG	11/13/2014



DRAWN	CGRAY	10/27/2014	 VARTECH SYSTEMS	
CHECKED				
QA			TITLE	
MFG			OUTLINE DRAWING, VTPC084PS2 / VTPC084PSHB2	
APPROVED			SIZE	
USED ON	MATERIAL:		D .XX = .01	DWG NO
APPLICATION			.XXX = .005	482-0275-001-01
			FINISH:	REV
				1
				SHEET 1 OF 1