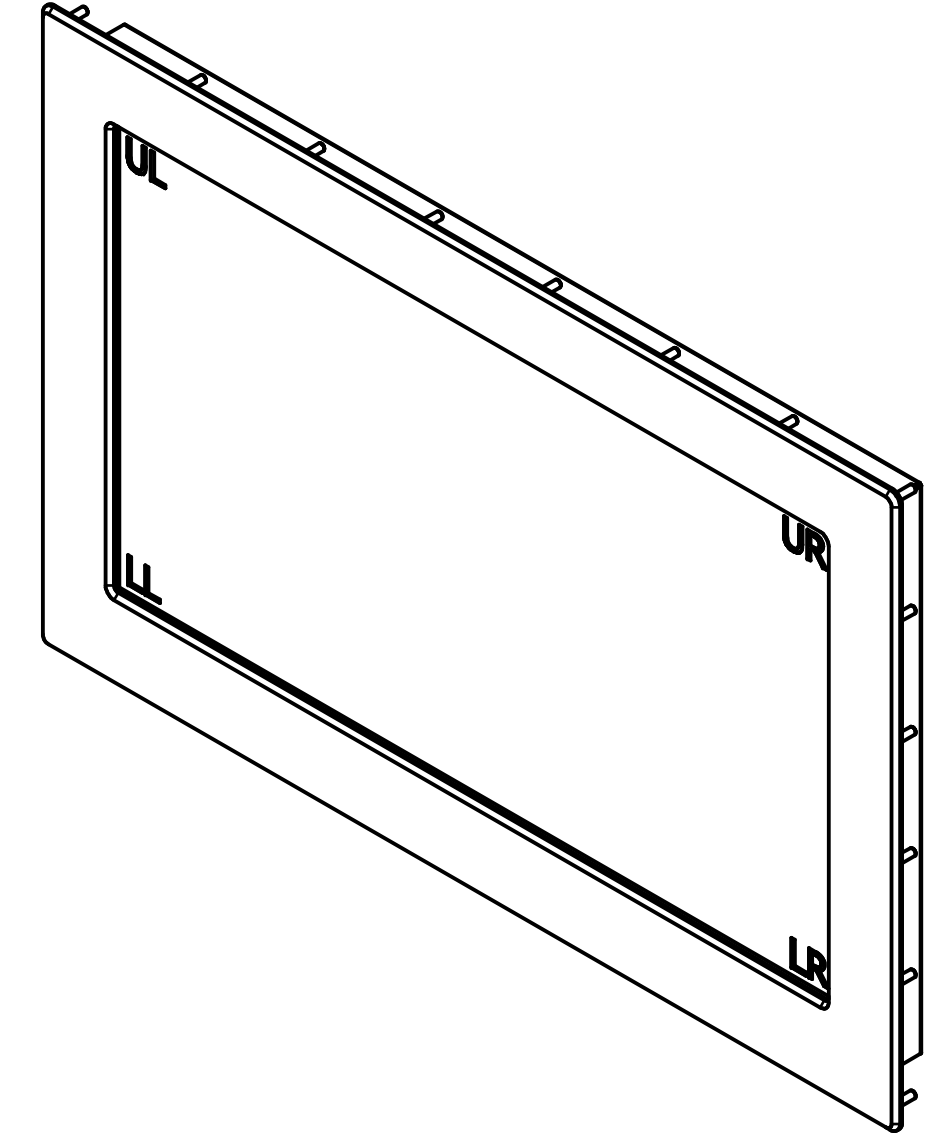
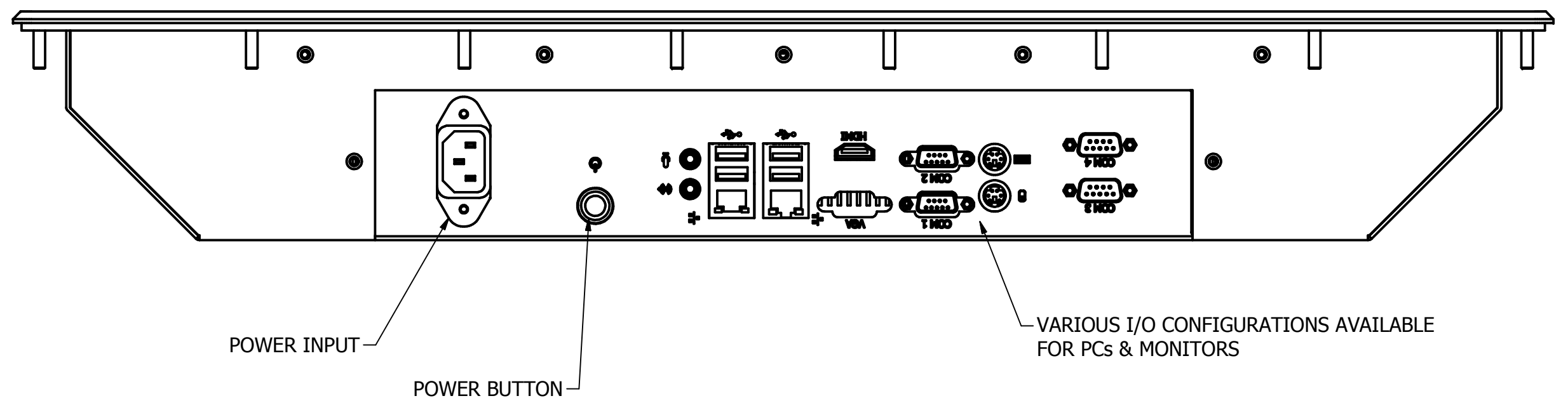
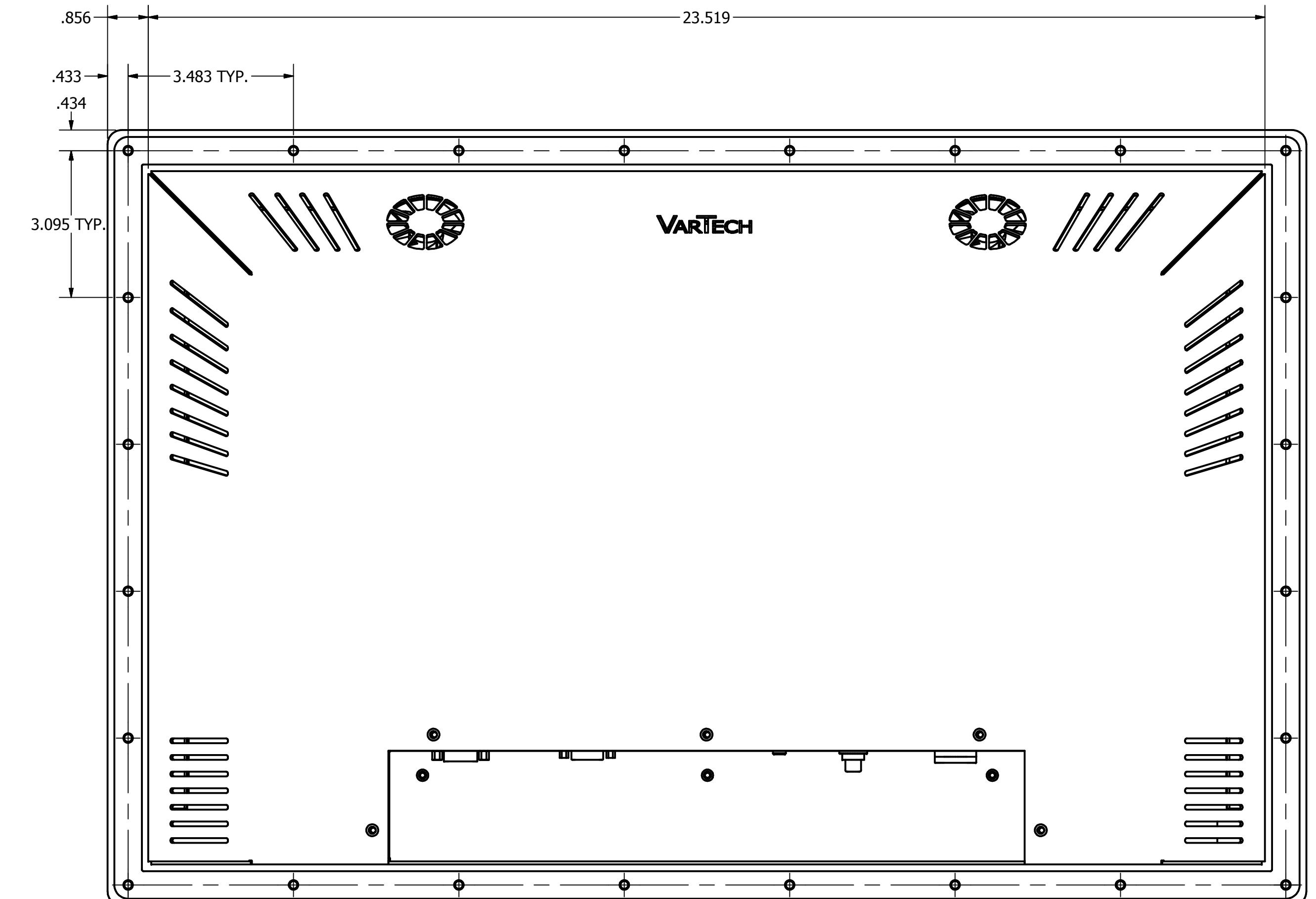
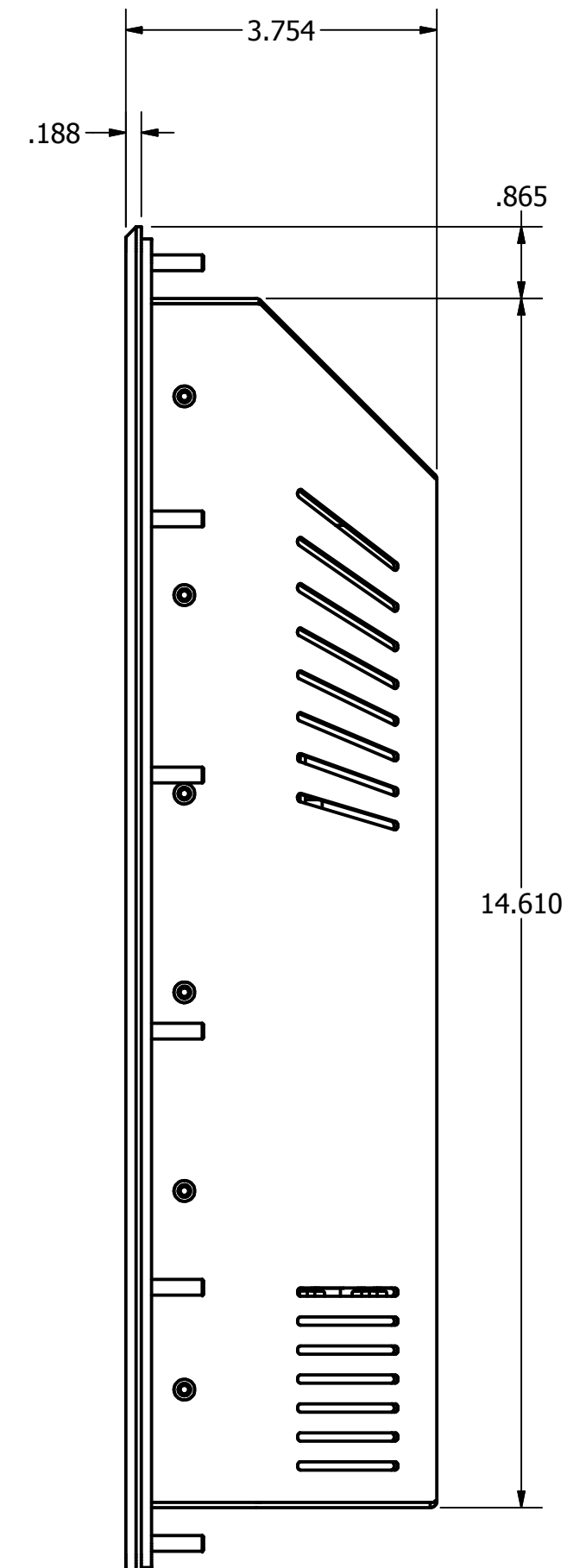
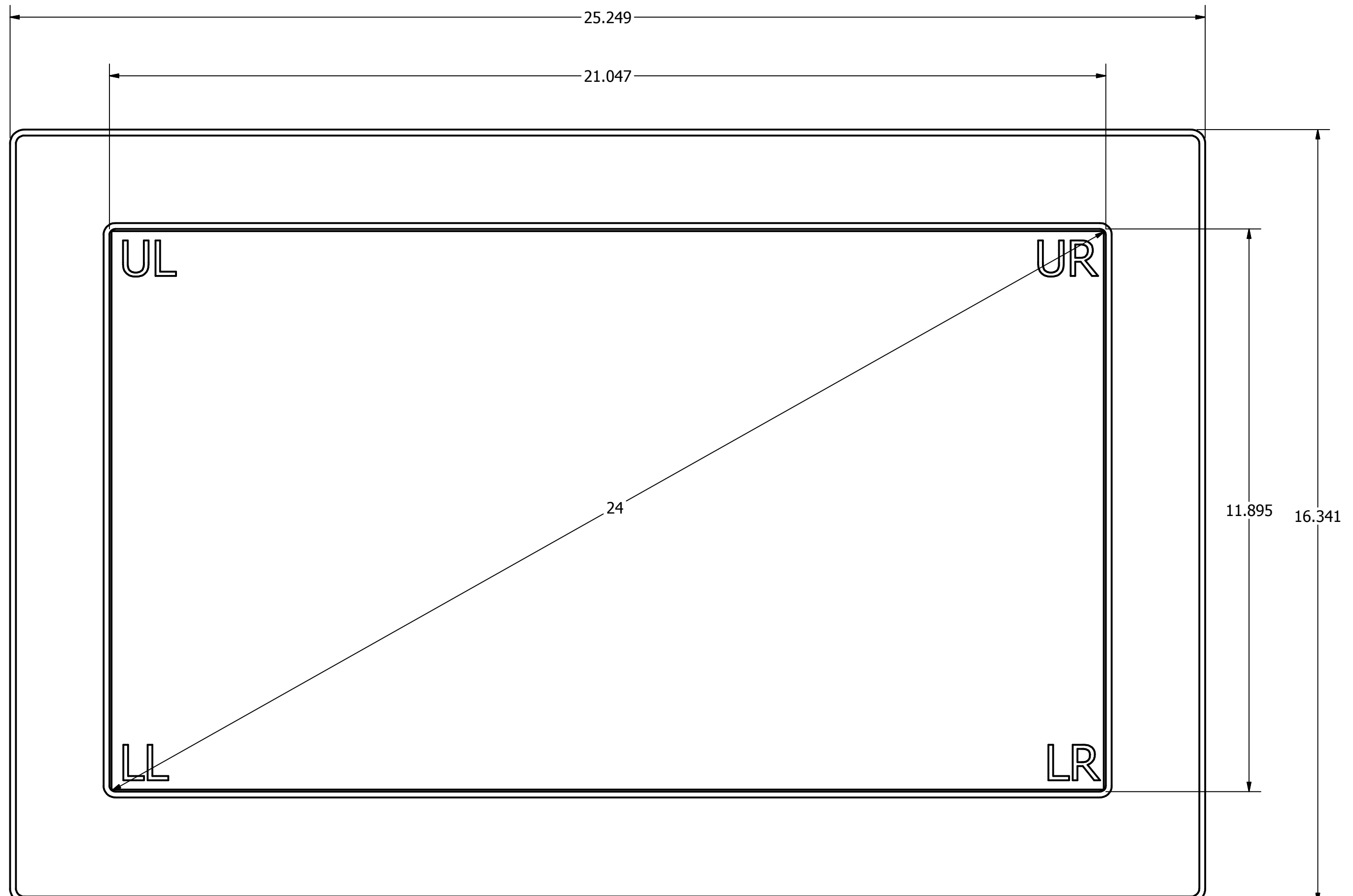
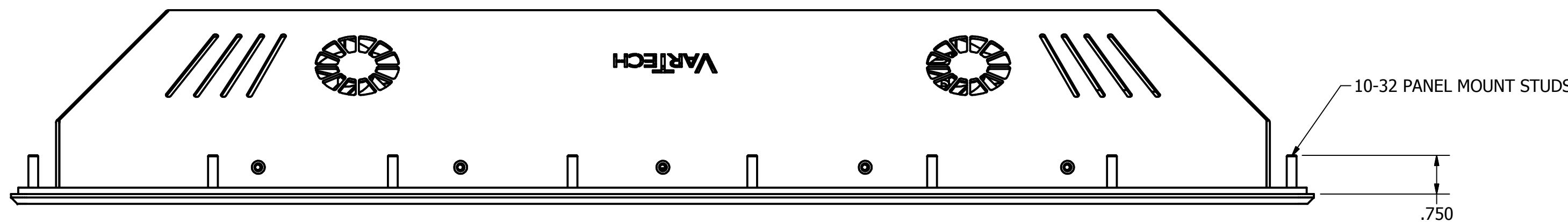
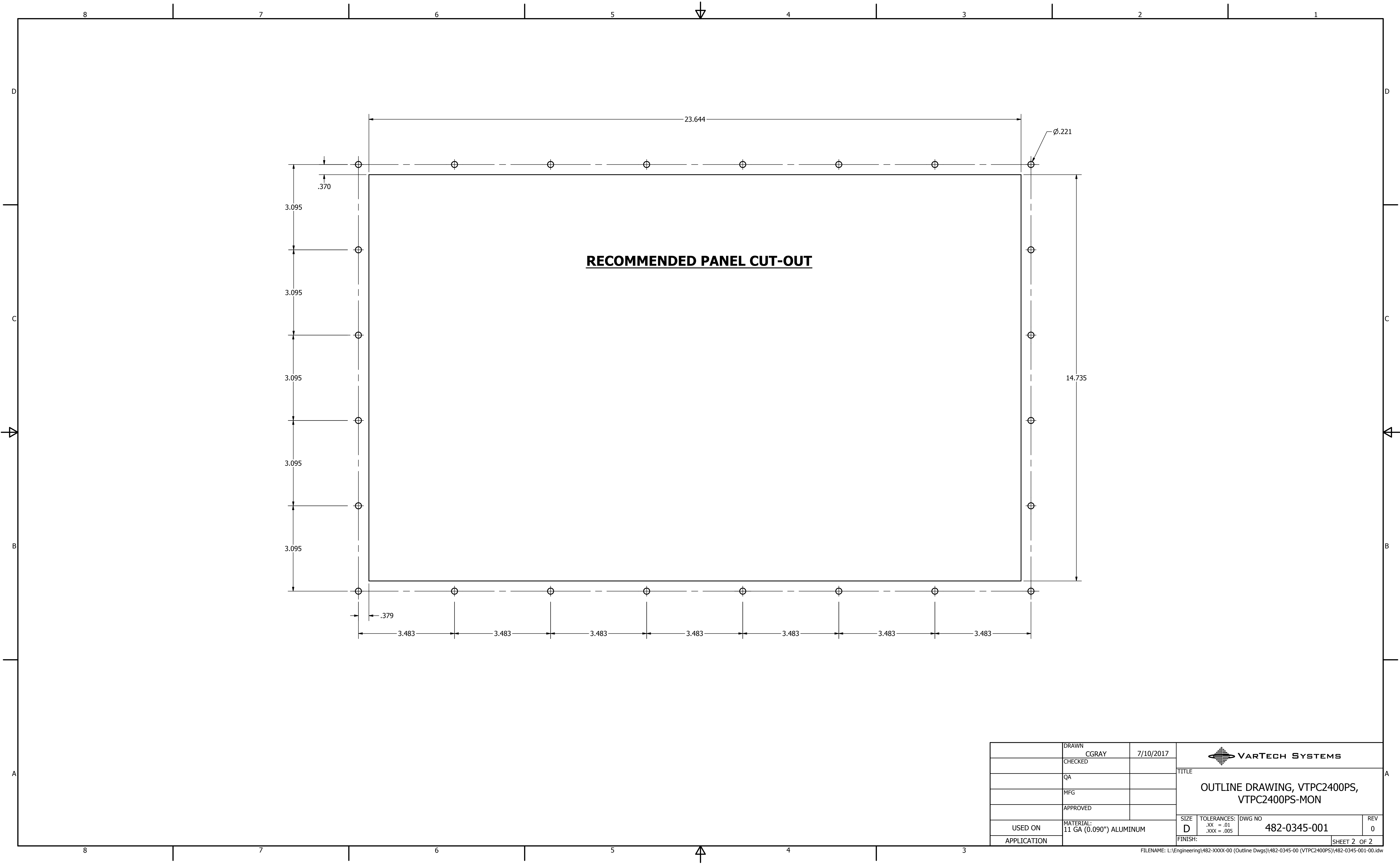


REVISION HISTORY			
REV	DESCRIPTION	APPROVED	DATE
0	RELEASE	COG	7/10/2017




NOTE: SEE SHEET 2 FOR PANEL CUT-OUT RECOMMENDATION

DRAWN	CGRAY	7/10/2017			
CHECKED					
QA			<b>TITLE</b> OUTLINE DRAWING, VTPC2400PS, VTPC2400PS-MON		
MFG					
APPROVED			<b>SIZE</b> D TOLERANCES: .XX = .01 .XXX = .005	<b>DWG NO</b> 482-0345-001	<b>REV</b> 0
USED ON	MATERIAL:		<b>FINISH:</b>		
APPLICATION			SHEET 1 OF 2		



**RECOMMENDED PANEL CUT-OUT**

	DRAWN	CGRAY	7/10/2017	 <b>VARTECH SYSTEMS</b>			
	CHECKED						
	QA			<b>OUTLINE DRAWING, VTPC2400PS, VTPC2400PS-MON</b>			
	MFG						
	APPROVED						
USED ON	MATERIAL:			SIZE	TOLERANCES:	DWG NO	REV
APPLICATION	11 GA (0.090") ALUMINUM			D	.XX = .01 .XXX = .005	482-0345-001	0
				FINISH:		SHEET 2 OF 2	