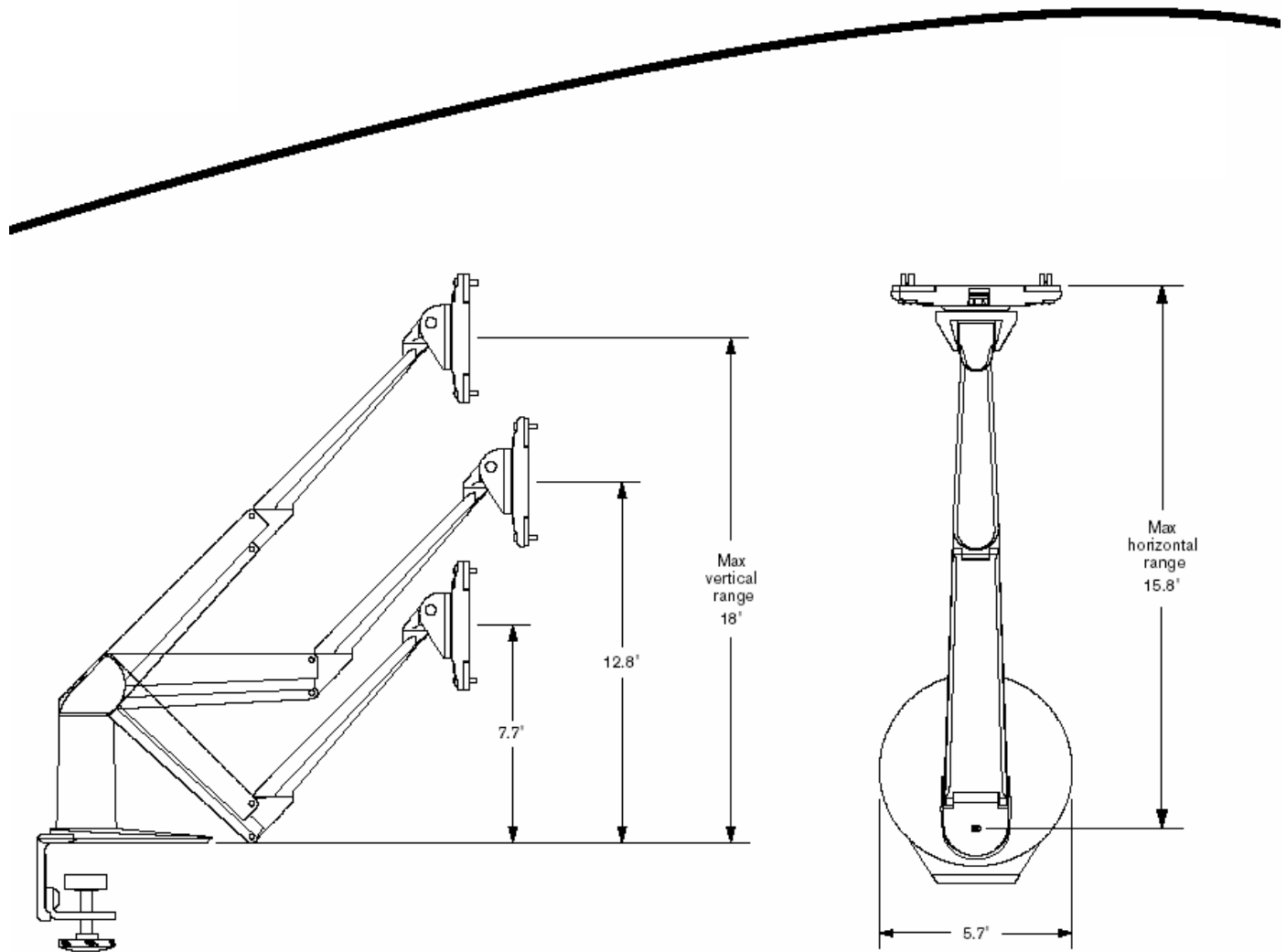
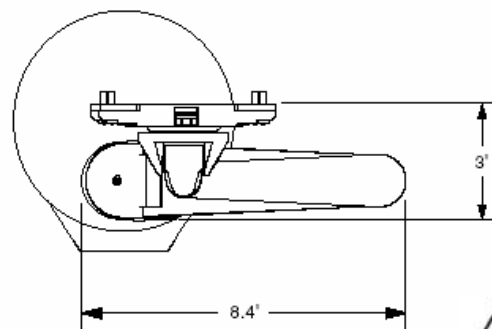




VT5545 Mechanical Drawing



- Vertical range: 18"
- Horizontal range: 15.8"
- Rotation: 360 degrees at three points
- Monitor tilt: 185 degrees
- Monitor pivot: Landscape to portrait
- Monitor compatibility: . . . VESA MIS-D, 100/75, C compliant
- Cable management: . . . Cables are clipped beneath arm
- Mounting options: Desk Clamp (2" thickness or less)
Grommet Mount (2" or larger)
- Weight/Model: 6-13 lbs / VT5545-250
13-21 lbs / VT5545-450



<p>HEADQUARTERS 11529 Sun Belt Ct. Baton Rouge, Louisiana 70809</p>	<p>Phone 800.223.8050 International 001.225.298.0300 Fax 225.297.2440</p>	<p>E-mail sales@vartechsystems.com Website www.vartechsystems.com</p>
--	--	---