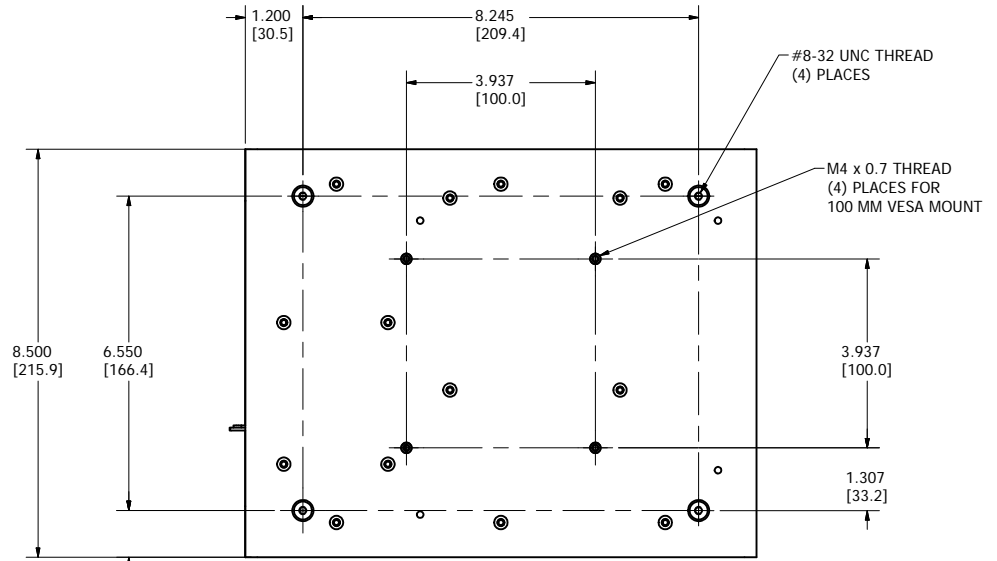
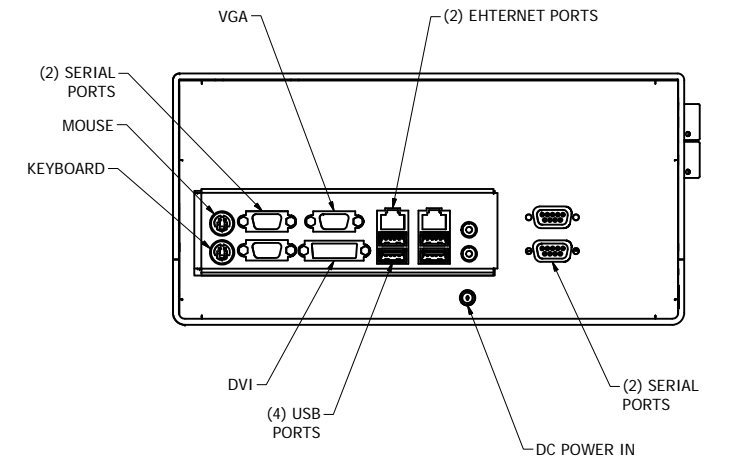
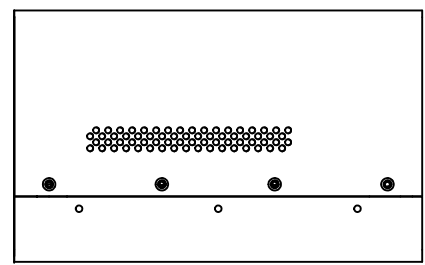
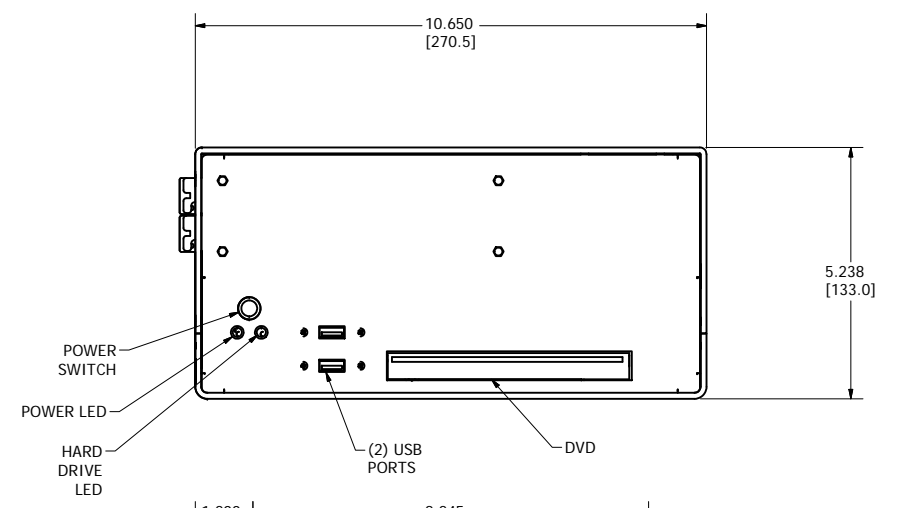
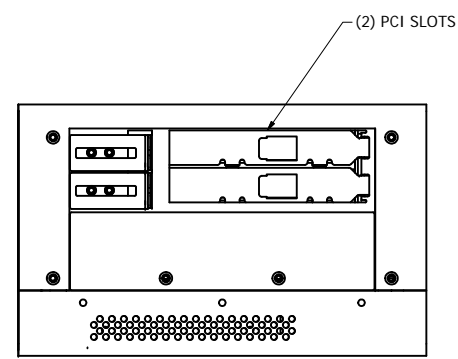
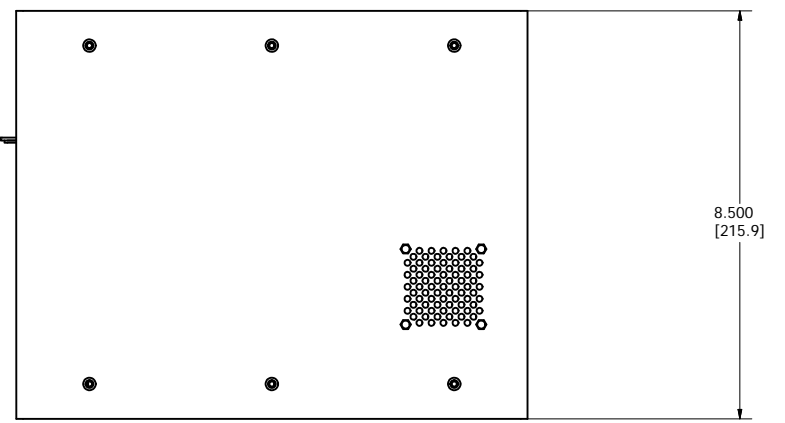
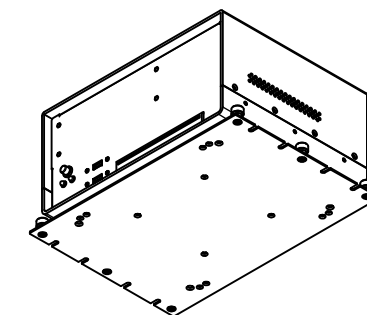
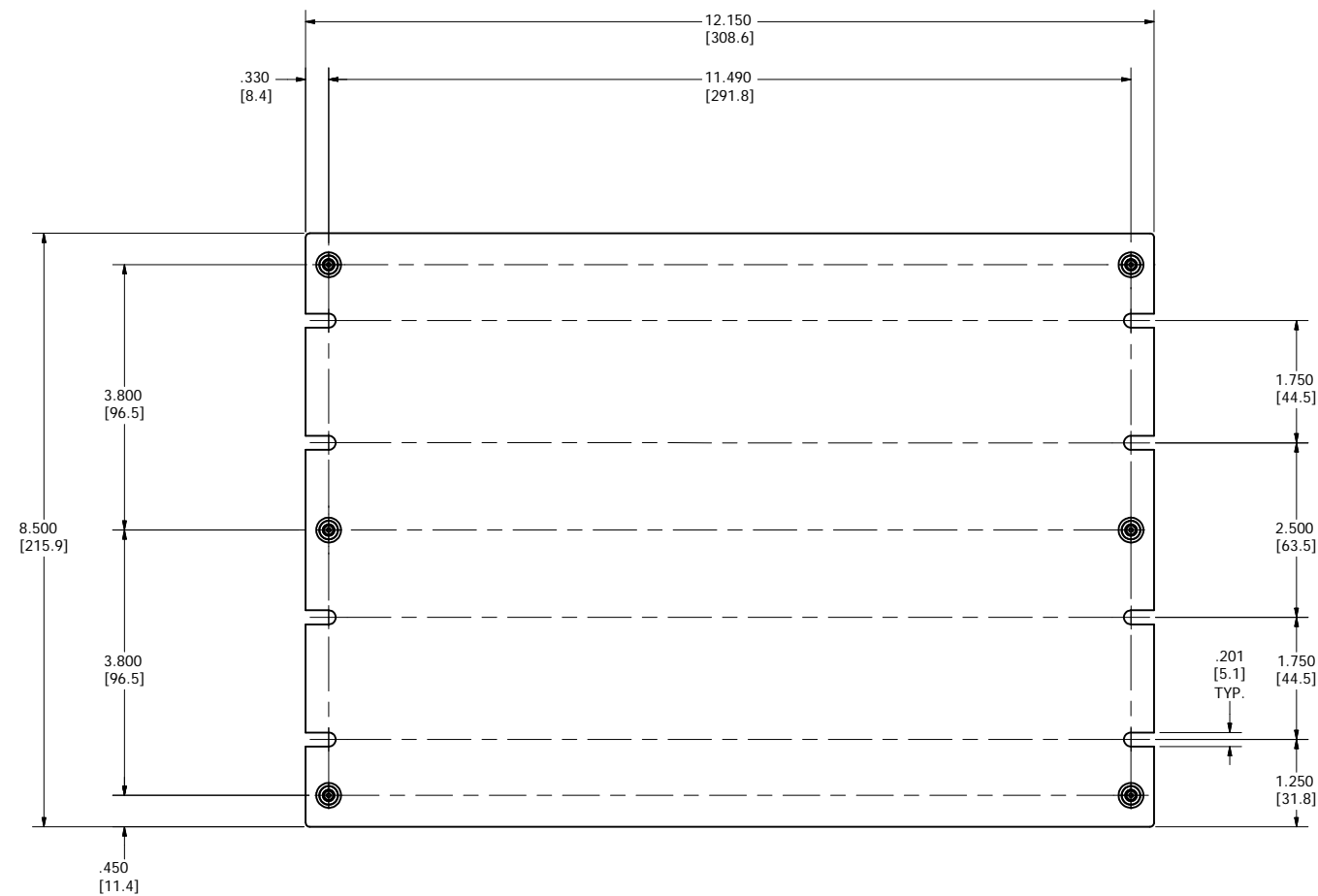
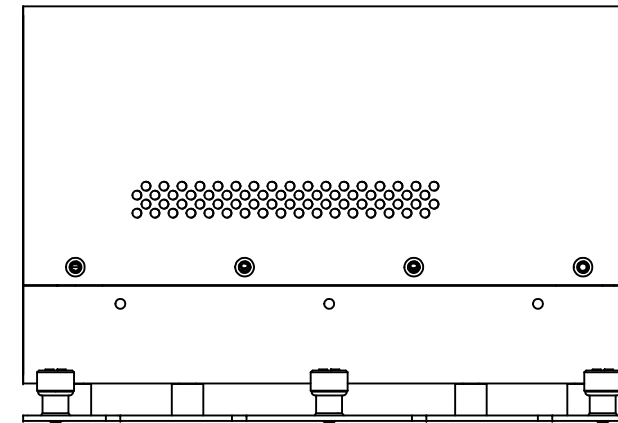
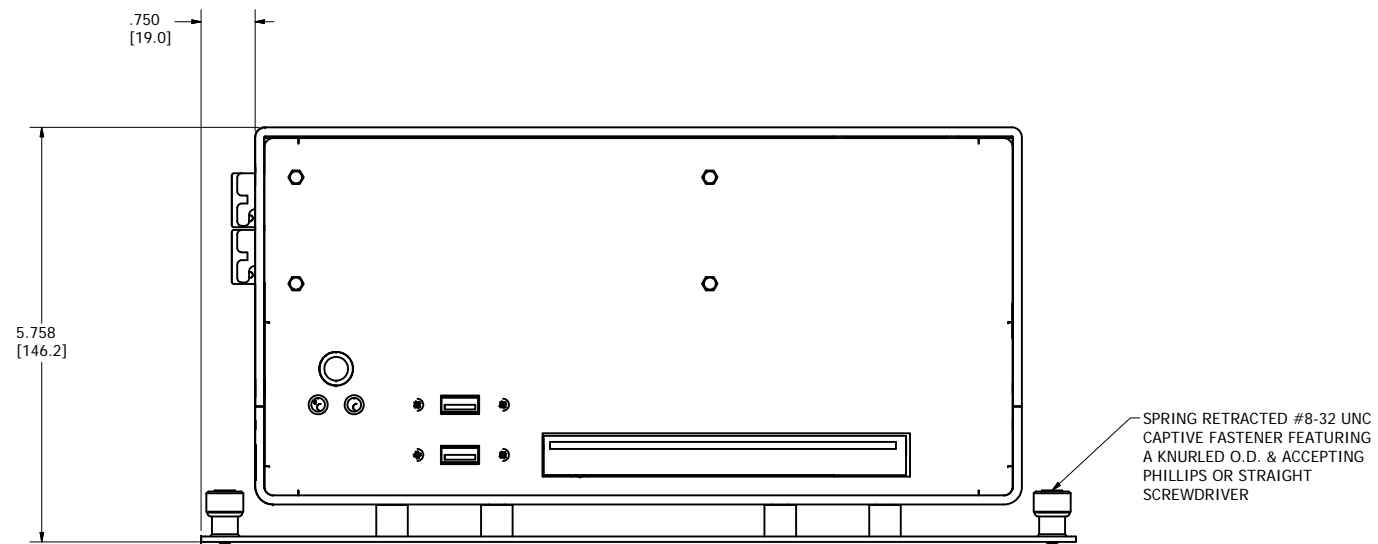


ZONE		REV	DESCRIPTION	DATE	APPROVED
		1	REVISE TO LATEST VERSION	2/24/2009	MLC
		2	REVISE TO SHOW PCI SLOTS ON SIDE OF POWER CUBE	3/4/2011	MLC



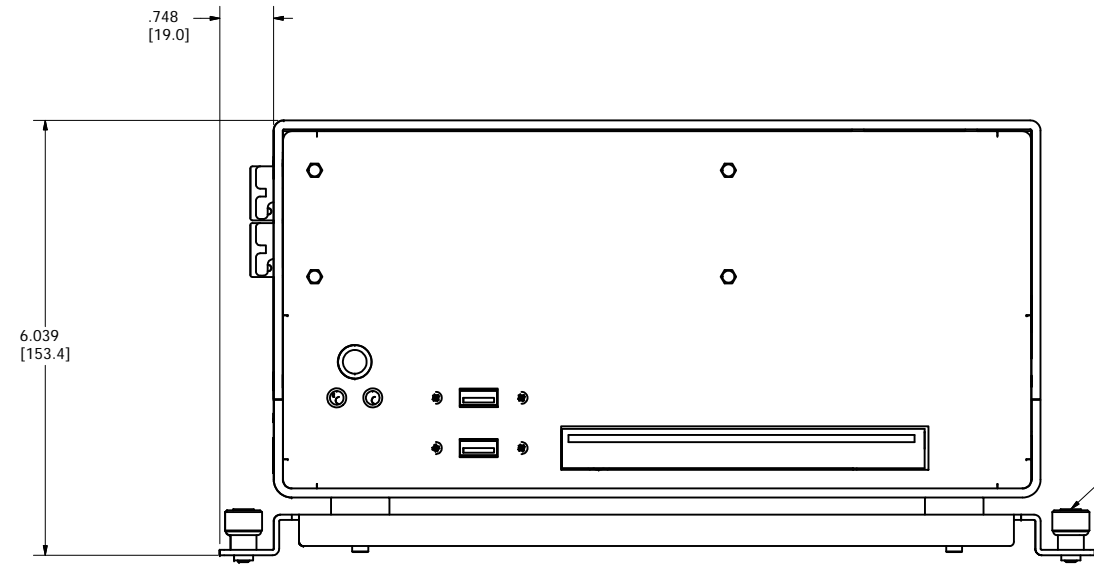
MOUNTING LOCATIONS

DRAWN	mcumbo	3/4/2011	 VARTECH SYSTEMS
CHECKED			
QA			
MFG			
APPROVED			
USED ON	MATERIAL:		TITLE
APPLICATION			OUTLINE DRAWING, POWER CUBE w/ DUAL PCI
			SIZE
			D
			TOLERANCES:
			.XX = .01
			.XXX = .005
			DWG NO
			482-0014-02
			REV
			2
			FINISH:
			FILENAME: P:\482-XXXX-00 (Outline Dwg)\482-0014-00 VTPC-UM-PCIRV482-0014-02-02.idw

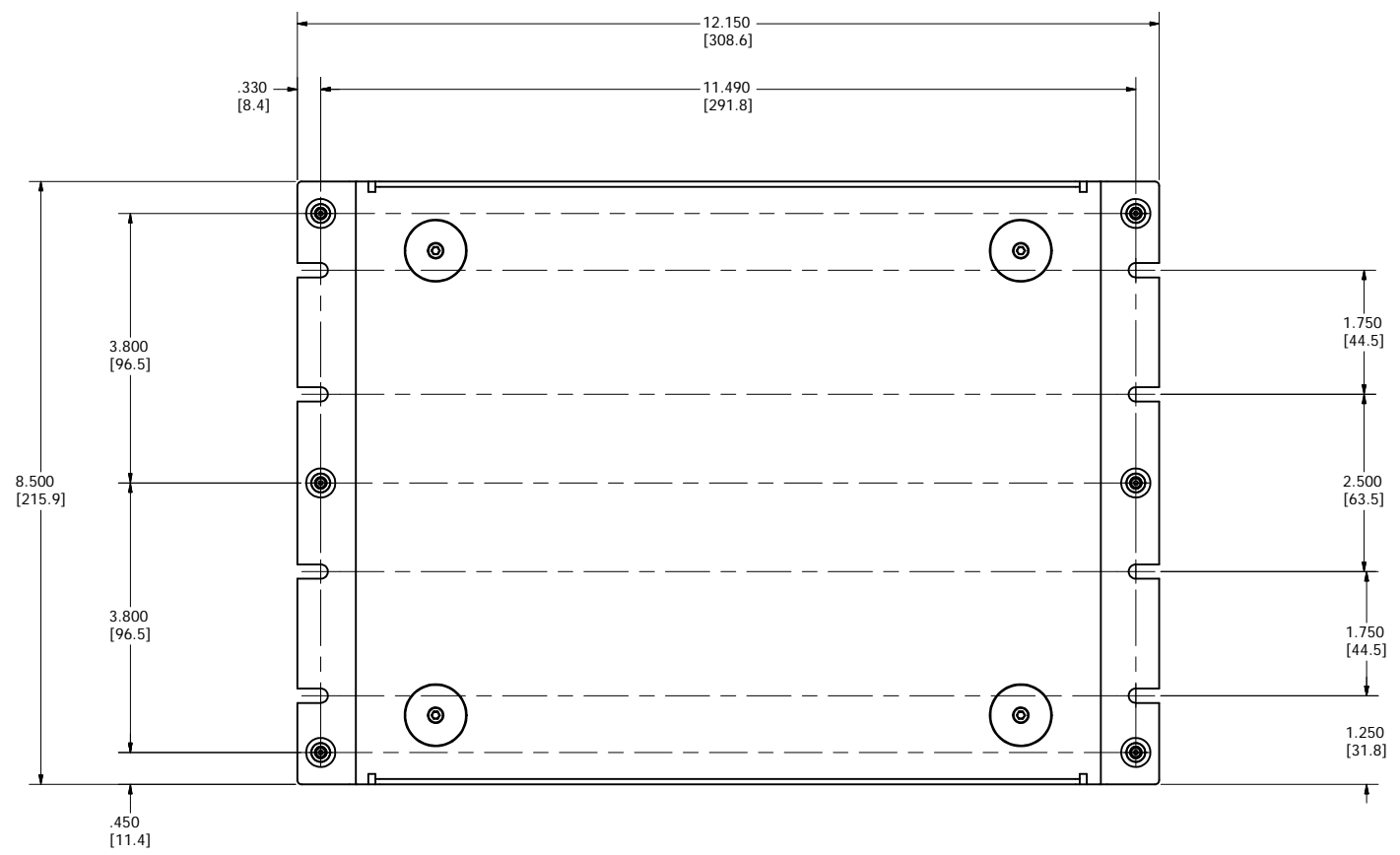
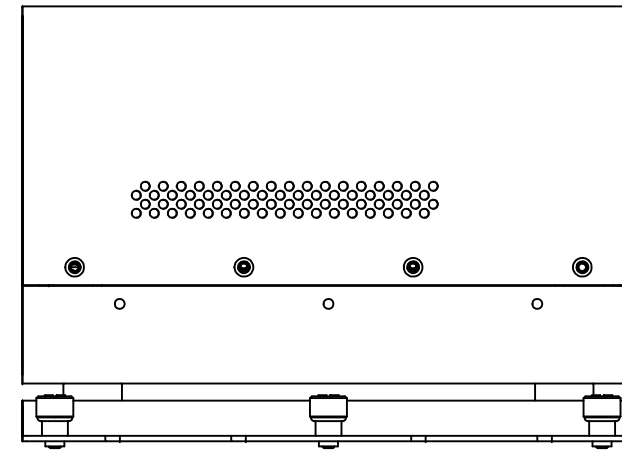


THIS SHEET SHOWS THE POWER CUBE WITH DUAL PCI MOUNTED ON THE VARTECH RIGID MOUNT #411-0072-00

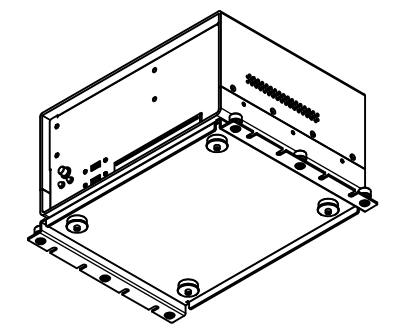
DRAWN	mcumbo	3/4/2011	VARTECH SYSTEMS			
CHECKED						
QA			TITLE			
MFG			OUTLINE DRAWING, POWER CUBE w/ DUAL PCI			
APPROVED			SIZE	TOLERANCES:	DWG NO	REV
USED ON	MATERIAL:		D	.XX = .01 .XXX = .005	482-0014-02	2
APPLICATION			FINISH:			SHEET 2 OF 4



SPRING RETRACTED #8-32 UNC CAPTIVE FASTENER FEATURING A KNURLED O.D. & ACCEPTING PHILLIPS OR STRAIGHT SCREWDRIVER

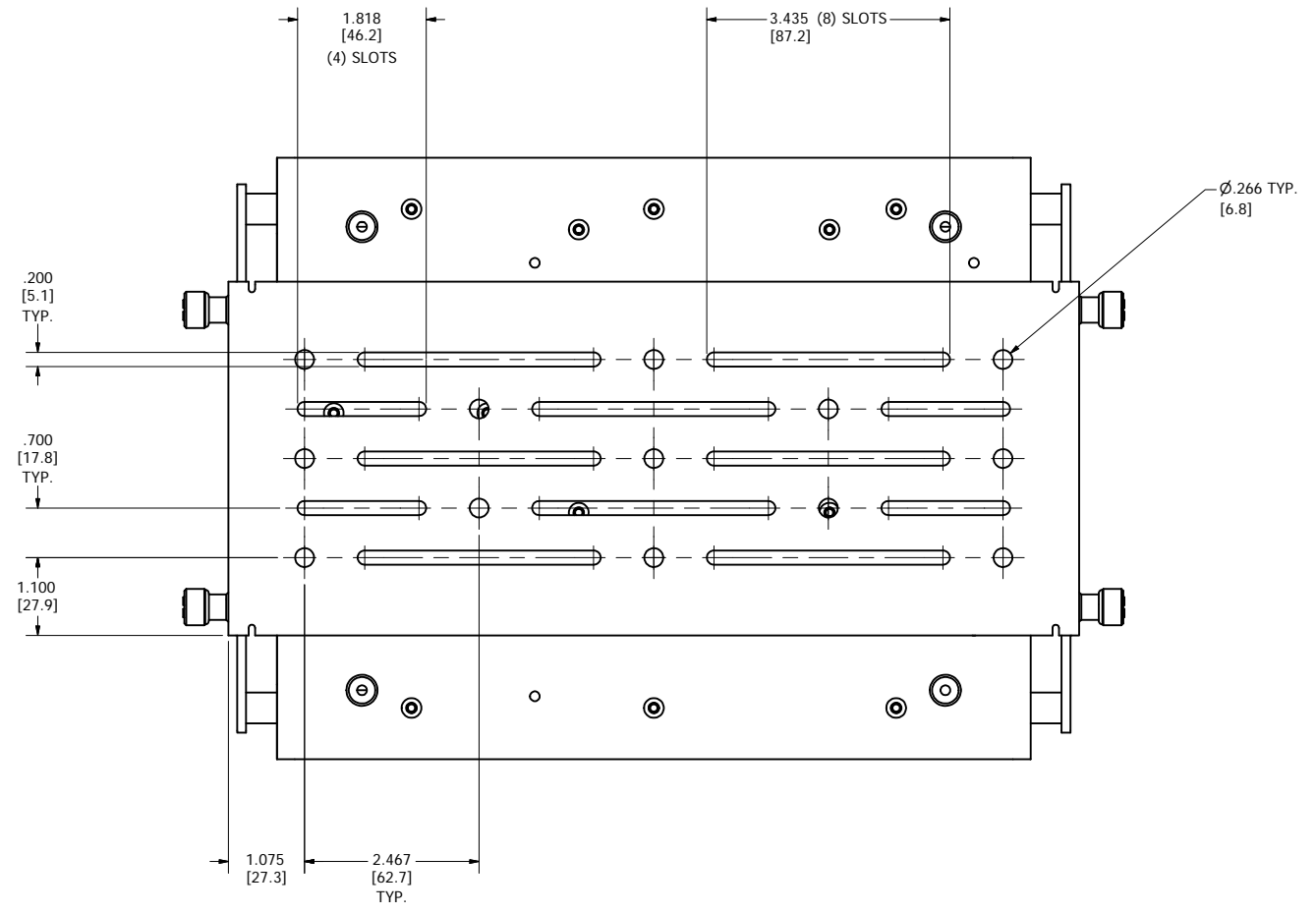
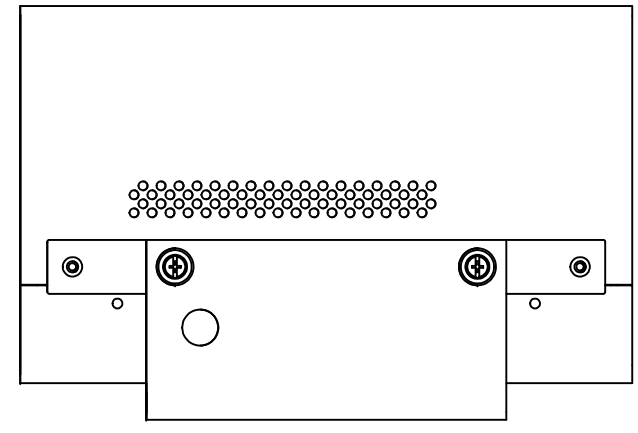
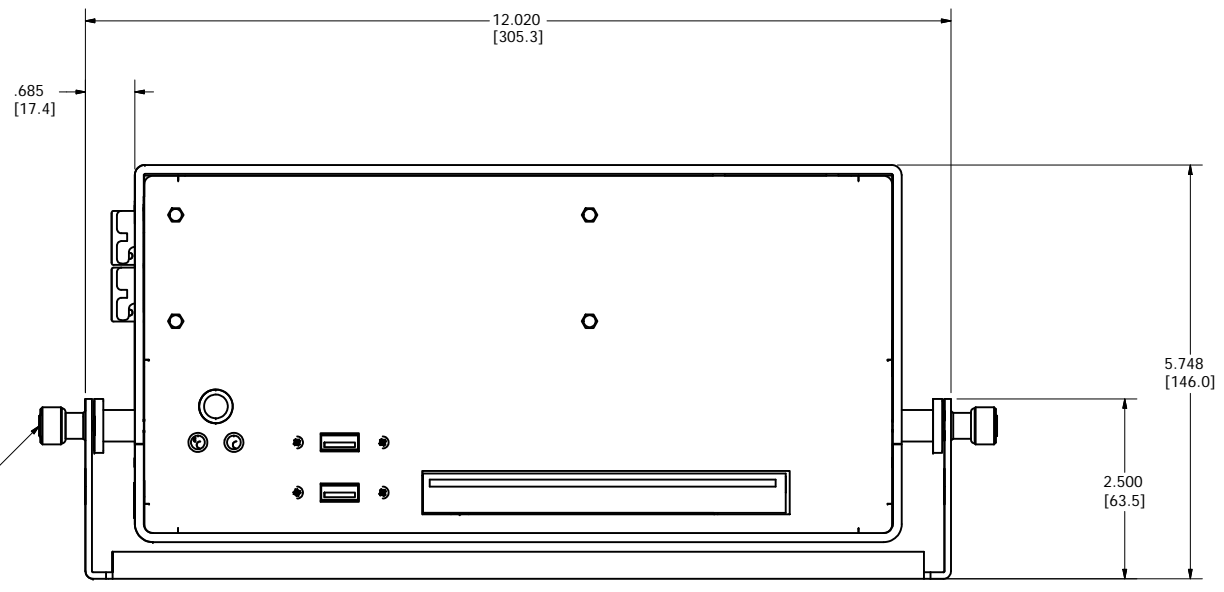


THIS SHEET SHOWS THE POWER CUBE WITH DUAL PCI MOUNTED ON THE VARTECH ISOLATION MOUNT #411-0073-00

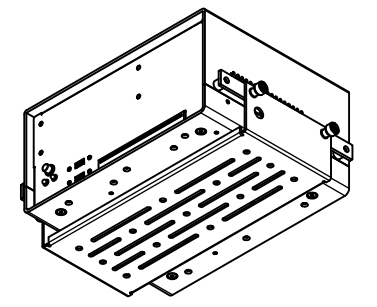


DRAWN	mcumbo	3/4/2011	VARTECH SYSTEMS			
CHECKED						
QA			TITLE OUTLINE DRAWING, POWER CUBE w/ DUAL PCI			
MFG						
APPROVED			SIZE D	TOLERANCES: .XX = .01 .XXX = .005	DWG NO 482-0014-02	REV 2
USED ON	MATERIAL:		FINISH:		SHEET 3 OF 4	
APPLICATION					FILENAME: P:\482-XXXX-00 (Outline Dwg)\482-0014-00 VTPC-UM-PCIR\482-0014-02-02.idw	

SPRING RETRACTED #8-32 UNC CAPTIVE FASTENER FEATURING A KNURLED O.D. & ACCEPTING PHILLIPS OR STRAIGHT SCREWDRIVER



THIS SHEET SHOWS THE POWER CUBE WITH DUAL PCI MOUNTED ON THE VARTECH MOBILE MOUNT #411-0094-00



DRAWN	mcumbo	3/4/2011	VARTECH SYSTEMS			
CHECKED						
QA			TITLE			
MFG			OUTLINE DRAWING, POWER CUBE w/ DUAL PCI			
APPROVED			SIZE	TOLERANCES:	DWG NO	REV
USED ON	MATERIAL:		D	.XX = .01 .XXX = .005	482-0014-02	2
APPLICATION			FINISH:			SHEET 4 OF 4