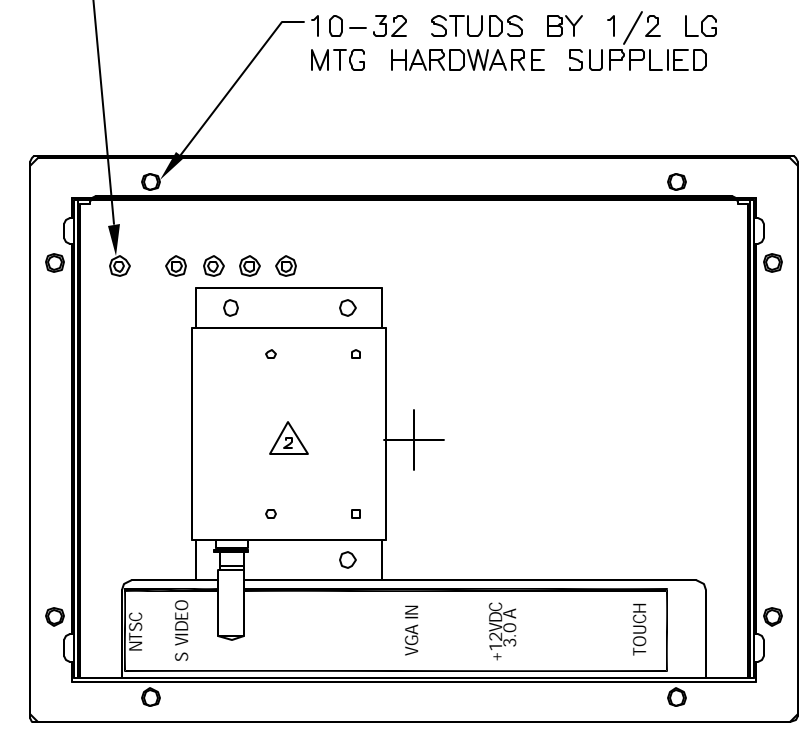
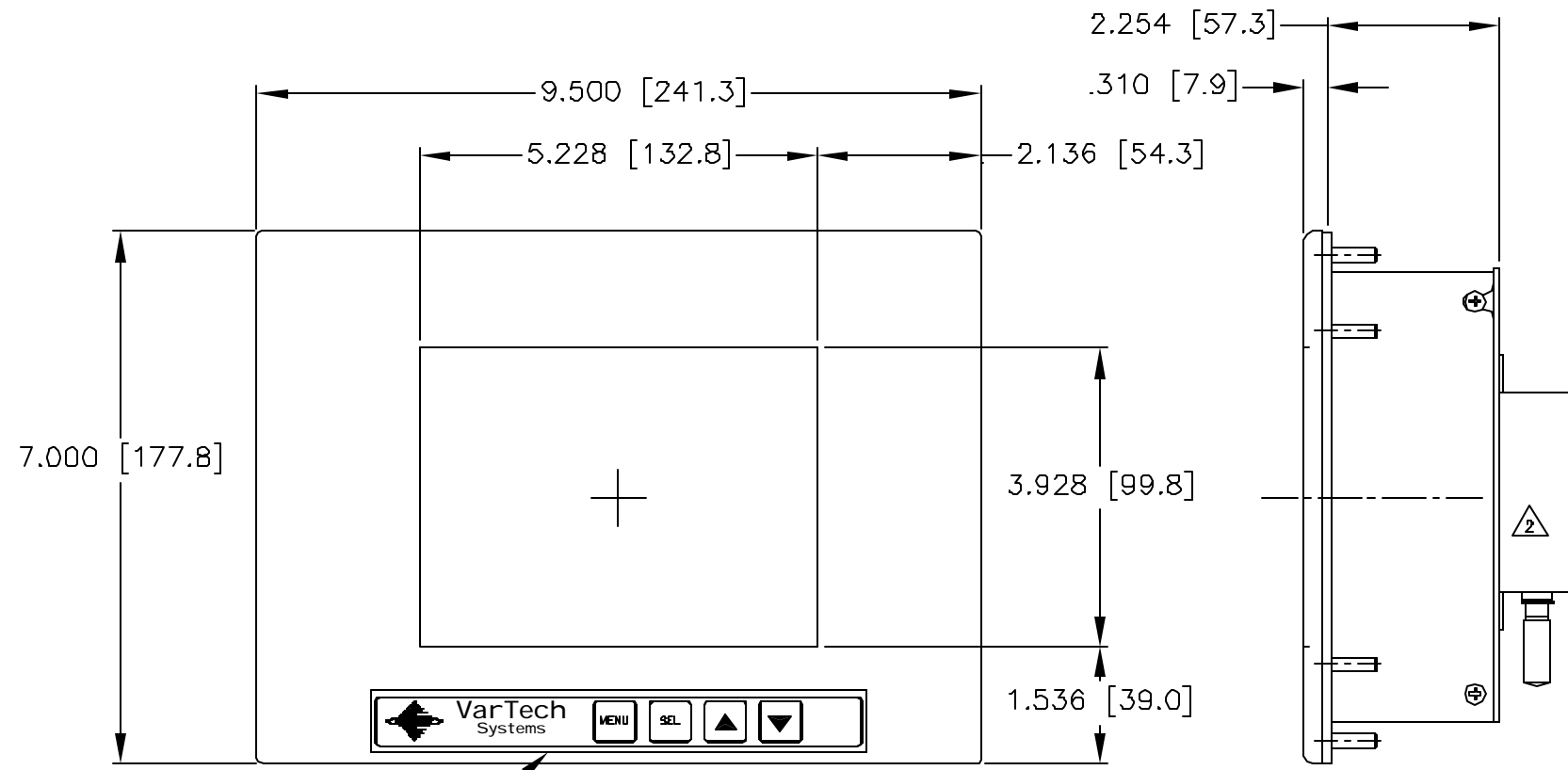


CHANGE HISTORY			
FILE INDEX	DESCRIPTION	INITIAL	DATE
1	PRELIMINARY RELEASE		
2	REVISED PER $\triangle 2$ ADDED 24 VDC INPUT		



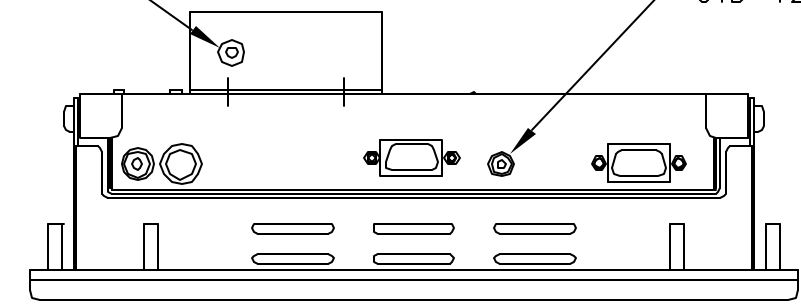
OPTIONAL FRONT CONTROLS FRONT VIEW

SIDE VIEW

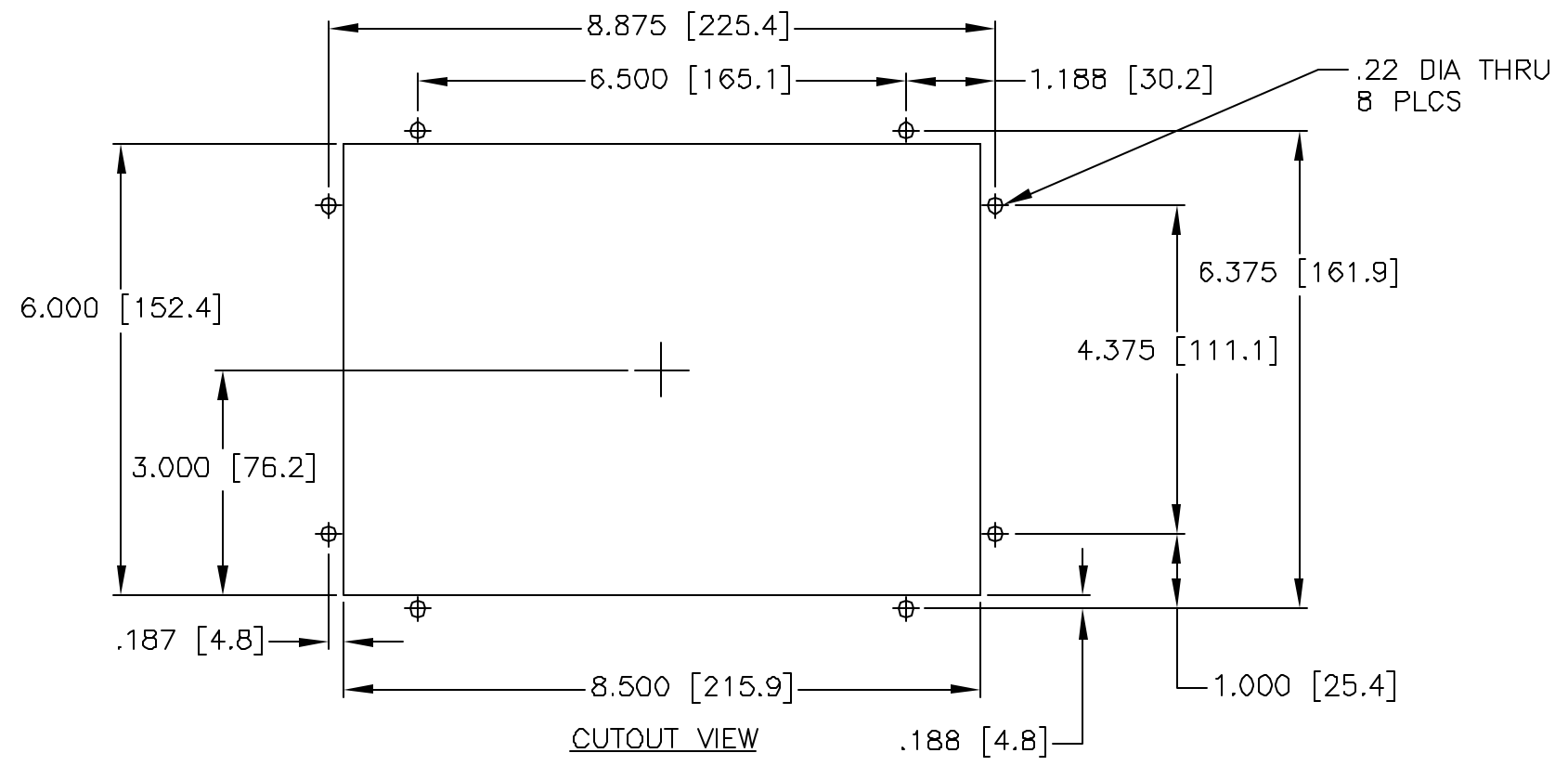
$\triangle 2$ OPTIONAL 24 VDC INPUT

REAR VIEW

STD 12 VDC INPUT



BOTTOM VIEW



CUTOUT VIEW

ITEM	QTY	MFR. PT.NO.	DESCRIPTION	SYM/NOTE
LIST OF MATERIALS				
UNLESS OTHERWISE SPECIFIED DIMENSIONS ARE IN INCHES AND APPLY BEFORE FINISH SURFACE ROUGHNESS .125/ TOLERANCE ON FRACTIONS DECIMALS ANGLES		DRAWN RKH	DATE 30JUN03	VARTECH SYSTEMS
		CHECKED		
		DRAFTING		
		ENGINEER		
MATERIAL		MANUF		OUTLINE DRAWING VT064P
FINISH		APPROVED		
VT064P	USED ON	QA		SIZE D
APPLICATION				DWG NO. 601-0068
				REV 2
				SCALE 1:1
				SHEET 1 OF 1