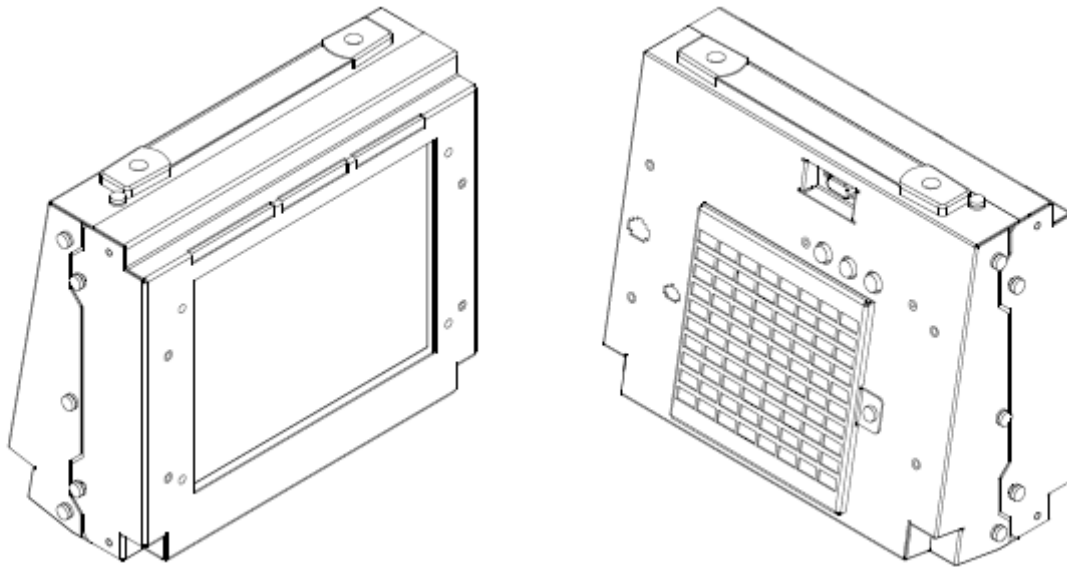


**VT084CHBL Mechanical Drawing****Mechanical**

Parameter	Specification	Unit
Width	240	mm
Height	194.6 (202mm overall)	mm
Depth	108mm max	mm
Weight	1.7	kg
Packed Unit Dimensions	465 (W) x 520 (H) x 420 (D)	mm
Packed Unit Weight	2.9	kg

HEADQUARTERS
11529 Sun Belt Ct.
Baton Rouge, Louisiana 70809

Phone 800.223.8050
International 001.225.298.0300
Fax 225.297.2440

E-mail sales@vartechsystems.com
Website www.vartechsystems.com