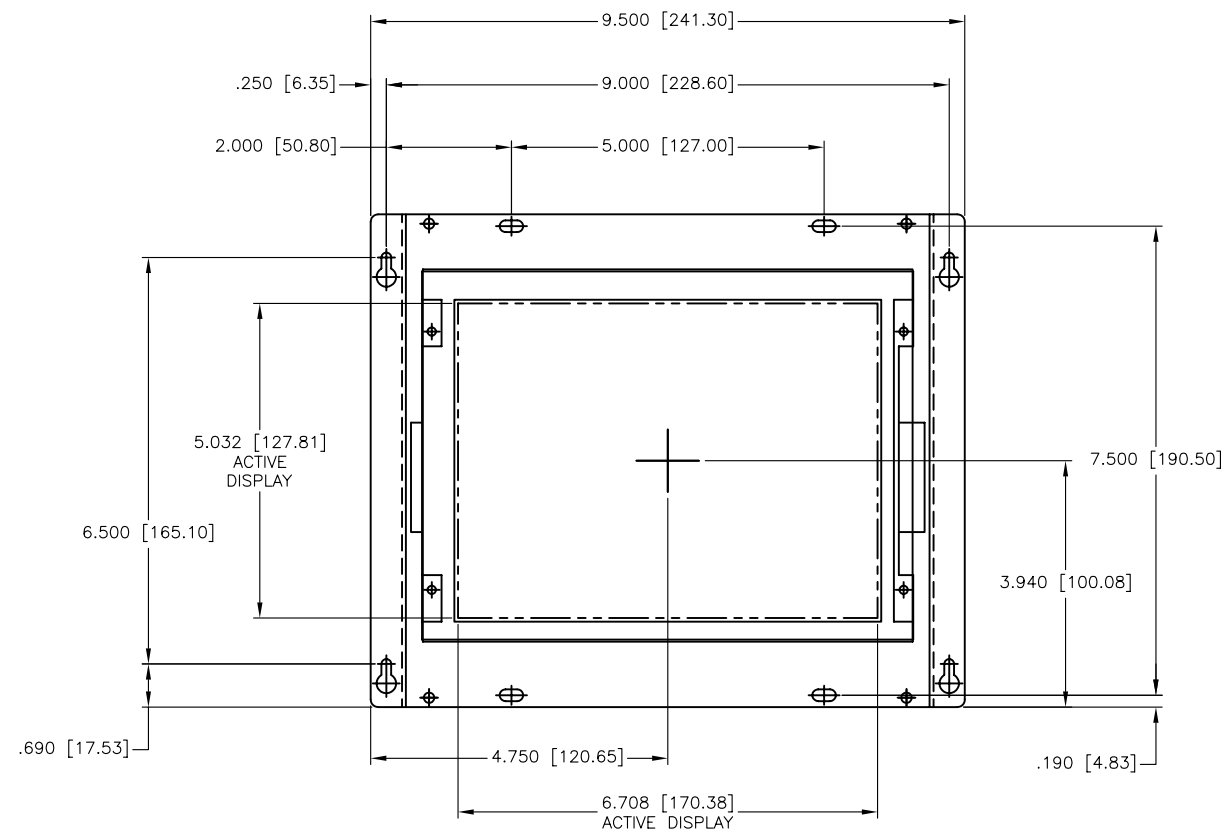
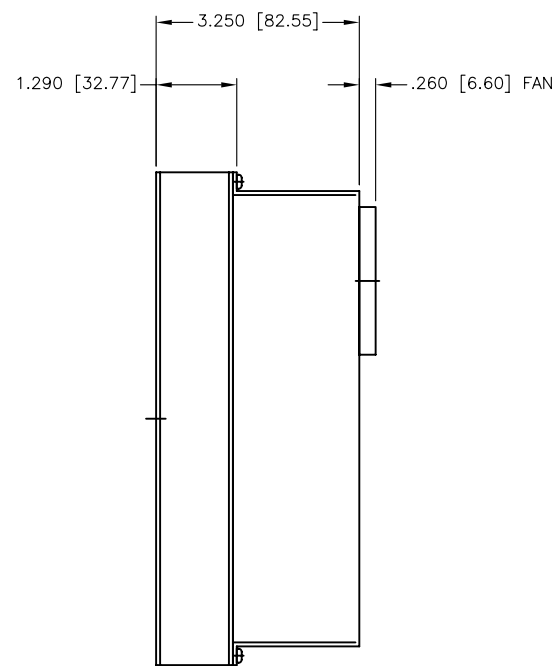


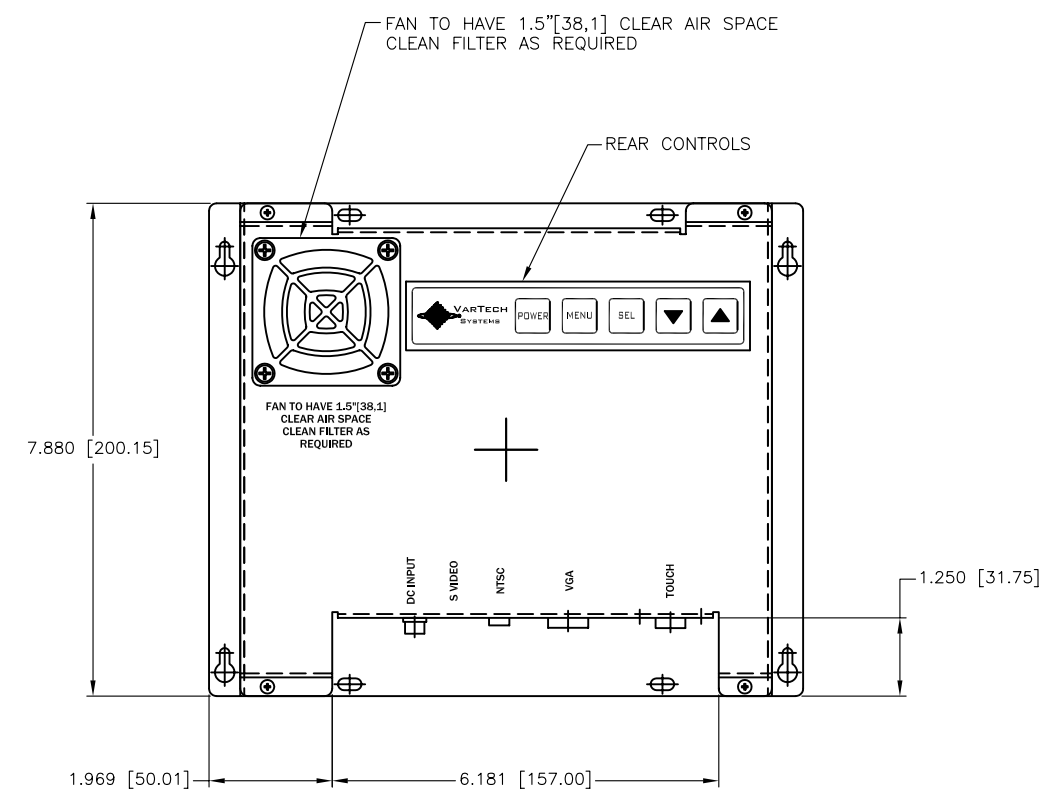
CHANGE HISTORY		
FILE INDEX	DESCRIPTION	APPROVAL INITIAL DATE
1	PRELIMINARY RELEASE	



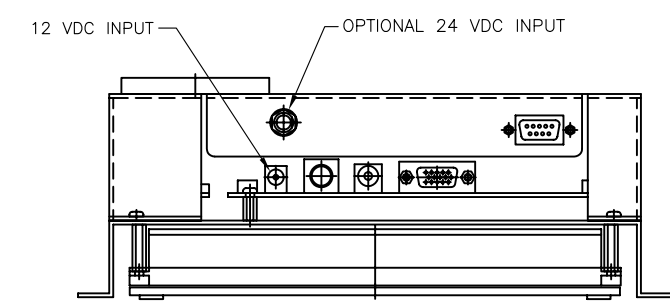
FRONT VIEW



SIDE VIEW



REAR VIEW



CONNECTOR VIEW

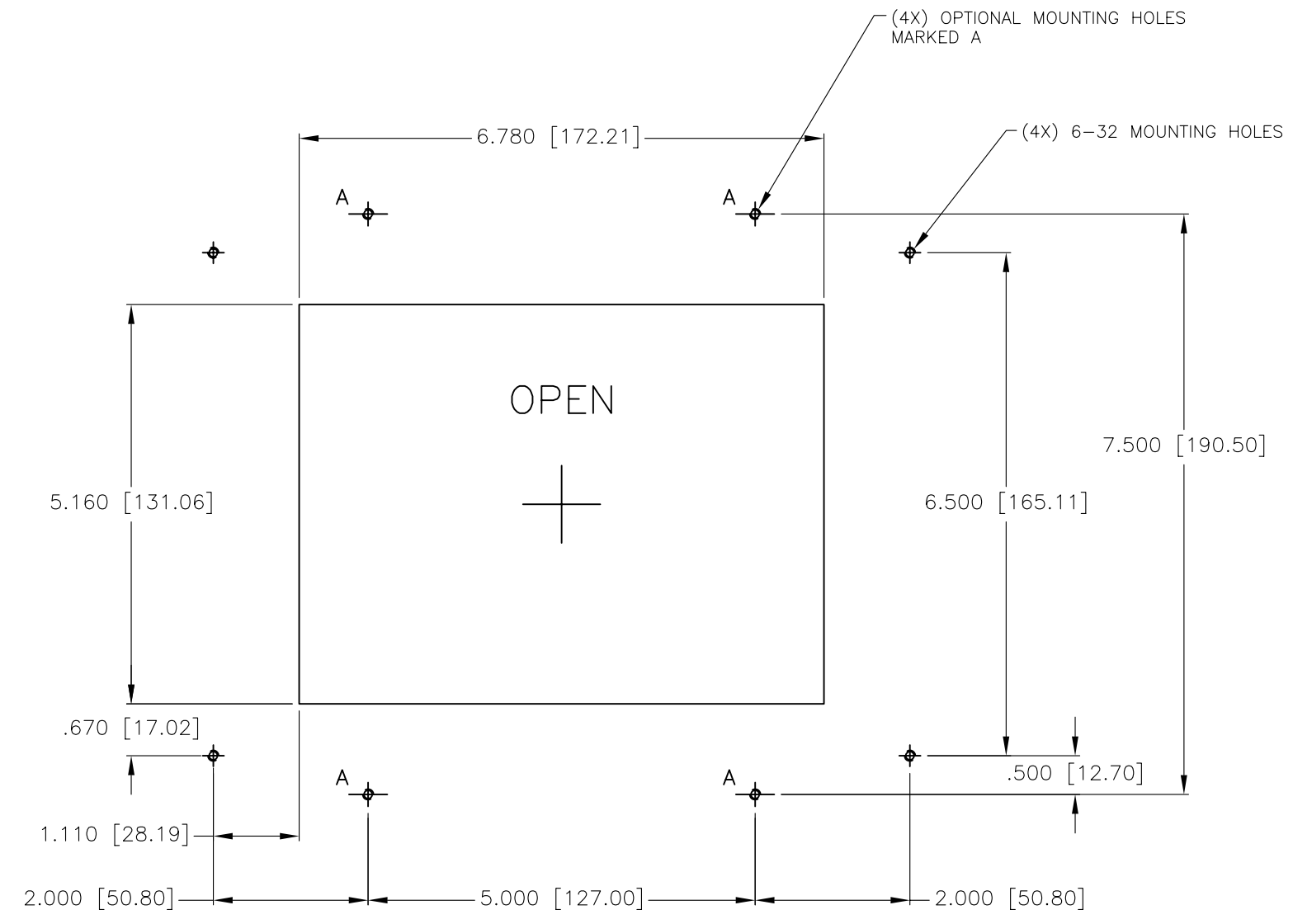
- NOTES:
1. ALL DIMENSIONS ARE NOMINAL AND FOR REFERENCE ONLY. THIS DRAWING SHOULD NOT BE USED FOR DESIGN PURPOSES.
  2. WEIGHT OF UNIT IS 4 LBS.
  3. SHIPPING WEIGHT OF UNIT IS 9 LBS.
  4. SEE SHEET 2 FOR PANEL CUTOUT DIMENSIONS.

**PRELIMINARY**

ITEM	QTY	MFR. PT.NO.	DESCRIPTION	SYM/NOTE
LIST OF MATERIALS				
UNLESS OTHERWISE SPECIFIED DIMENSIONS ARE IN INCHES AND APPLY BEFORE FINISH SURFACE ROUGHNESS .125/ TOLERANCE ON FRACTIONS   DECIMALS   ANGLES		DRAWN DATE RVJ 03/15/06		<b>VARTECH SYSTEMS</b>
± 1/64   ±.XX=.02   ± 1/2		CHECKED		
MATERIAL		DRAFTING		
FINISH		ENGINEER		
VT084CHBU		MANUF		OUTLINE DRAWING VT084CHBU (OPEN FRAME)
USED ON		APPROVED		
APPLICATION		QA		
SCALE 1 : 1.5		DWG NO. 601-0216		REV 1
FILE NUMBER: 6010216A-R1				SHEET 1 OF 2

8 7 6 5 4 3 2 1

CHANGE HISTORY		
FILE INDEX	DESCRIPTION	APPROVAL INITIAL DATE
1	PRELIMINARY RELEASE	



PANEL CUTOUT

**PRELIMINARY**

ITEM	QTY	MFR. PT.NO.	DESCRIPTION	SYM/NOTE
LIST OF MATERIALS				
UNLESS OTHERWISE SPECIFIED DIMENSIONS ARE IN INCHES AND APPLY BEFORE FINISH SURFACE ROUGHNESS .125/ TOLERANCE ON FRACTIONS   DECIMALS   ANGLES ± 1/64   ±.XX=.02   ± 1/2		DRAWN	DATE	 <b>OUTLINE DRAWING</b> VT084CHBU (OPEN FRAME)
		RVJ	03/15/06	
		CHECKED		
		DRAFTING		
		ENGINEER		
MATERIAL		MANUF		SIZE
VT084CHBU		APPROVED		D
USED ON		QA		DWG NO.
APPLICATION				601-0216
				REV
				1
SCALE 1 : 1			SHEET 2 OF 2	

8 7 6 5 4 3 2 1

FILE NUMBER: 6010216B-R1