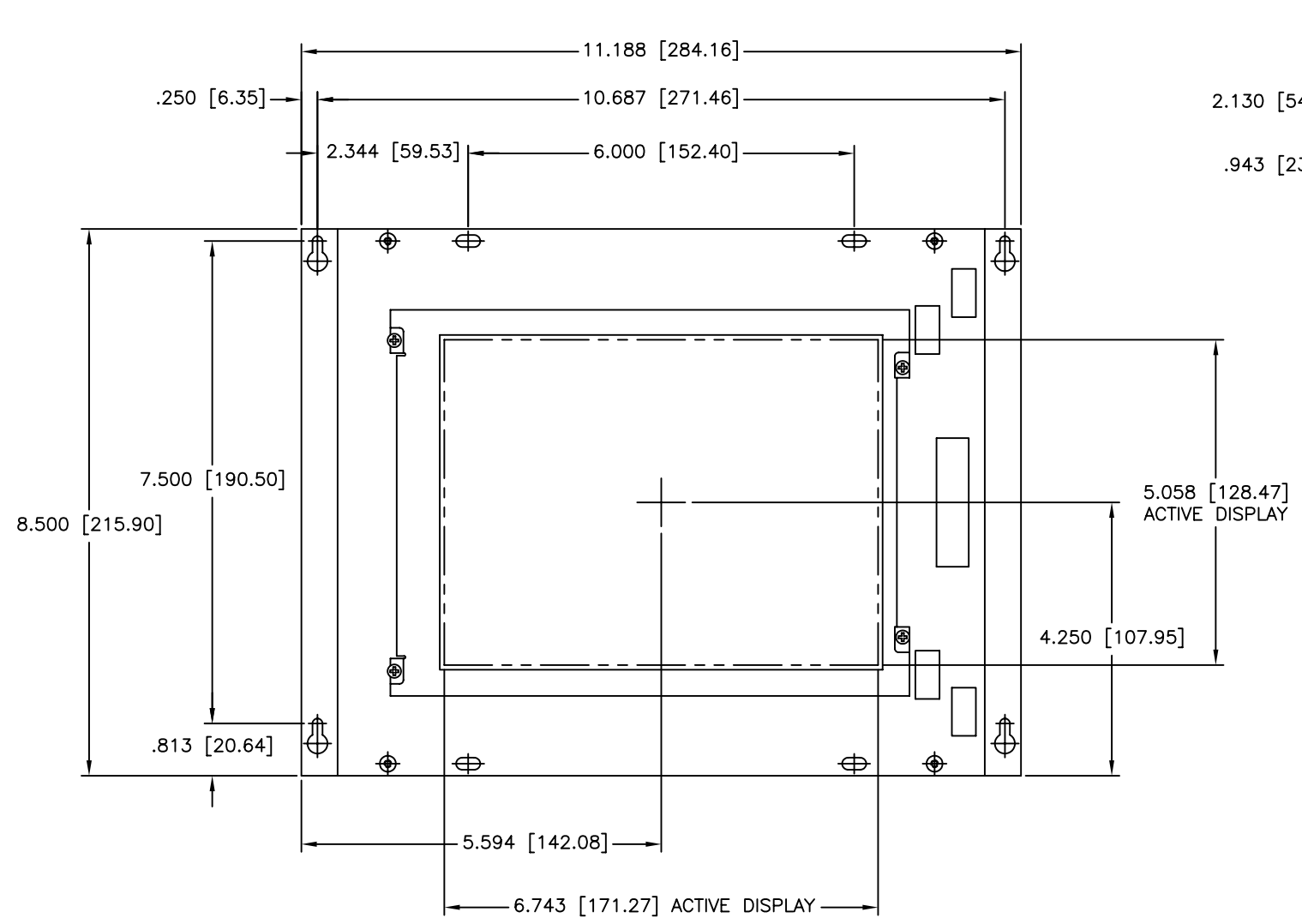
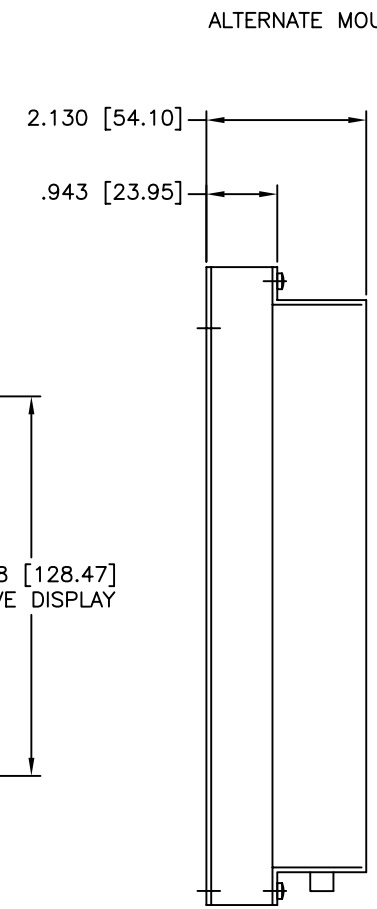


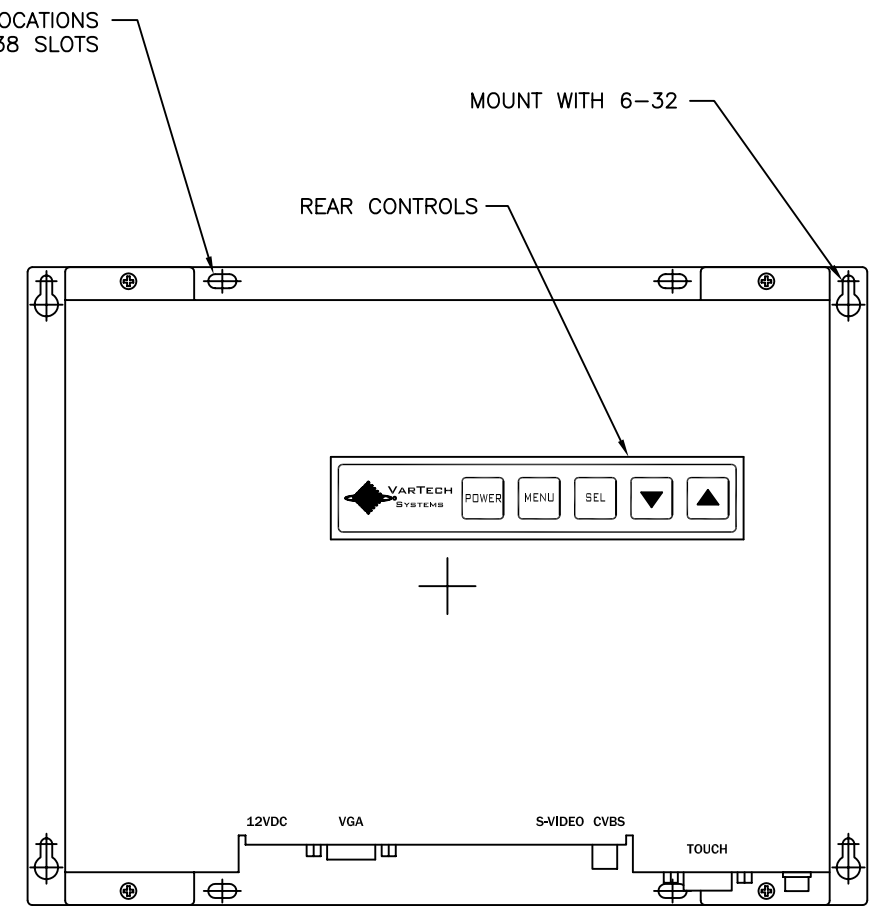
CHANGE HISTORY		
FILE INDEX	DESCRIPTION	APPROVAL INITIAL DATE
1	PRELIMINARY RELEASE	
2	NEW DESIGN AND MOUNTING, ADDED SHT 2	DMS 1/03/04



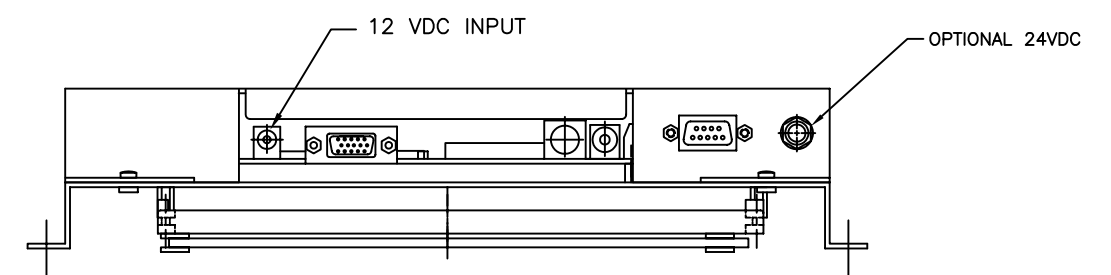
FRONT VIEW



SIDE VIEW



REAR VIEW



BOTTOM VIEW

NOTES:

1. ALL DIMENSIONS ARE NOMINAL AND FOR REFERENCE ONLY. THIS DRAWING SHOULD NOT BE USE FOR DESIGN PURPOSES.
2. WEIGHT OF UNIT IS 2.8 LBS.
3. SHIPPING WEIGHT OF UNIT IS 9 LBS.
4. SEE SHEET 2 FOR PANEL CUTOUT DETAILS.

ITEM	QTY	MFR. PT.NO.	DESCRIPTION	SYM/NOTE
LIST OF MATERIALS				
UNLESS OTHERWISE SPECIFIED DIMENSIONS ARE IN INCHES AND APPLY BEFORE FINISH SURFACE ROUGHNESS .125/ TOLERANCE ON FRACTIONS DECIMALS ANGLES $\pm \frac{1}{64}$ $\pm .XX = .02$ $\pm \frac{1}{2}$ $\pm .XXX = .005$		DATE	 VARTECH SYSTEMS	
		4/16/04		
		CHECKED		
		DRAFTING		
MATERIAL		ENGINEER	OUTLINE DRAWING VT084C XGA 12VDC / 24VDC	
FINISH		MANUF		
APPLICATION		APPROVED		
VT084C XGA USED ON		QA	SIZE	REV
			D	2
			DWG NO.	FILE NUMBER:
			601-0097	6010097A-R2
			SCALE 1 : 1.25	SHEET 1 OF 2

8 7 6 5 4 3 2 1

CHANGE HISTORY		
FILE INDEX	DESCRIPTION	APPROVAL INITIAL DATE
2		

D

D

C

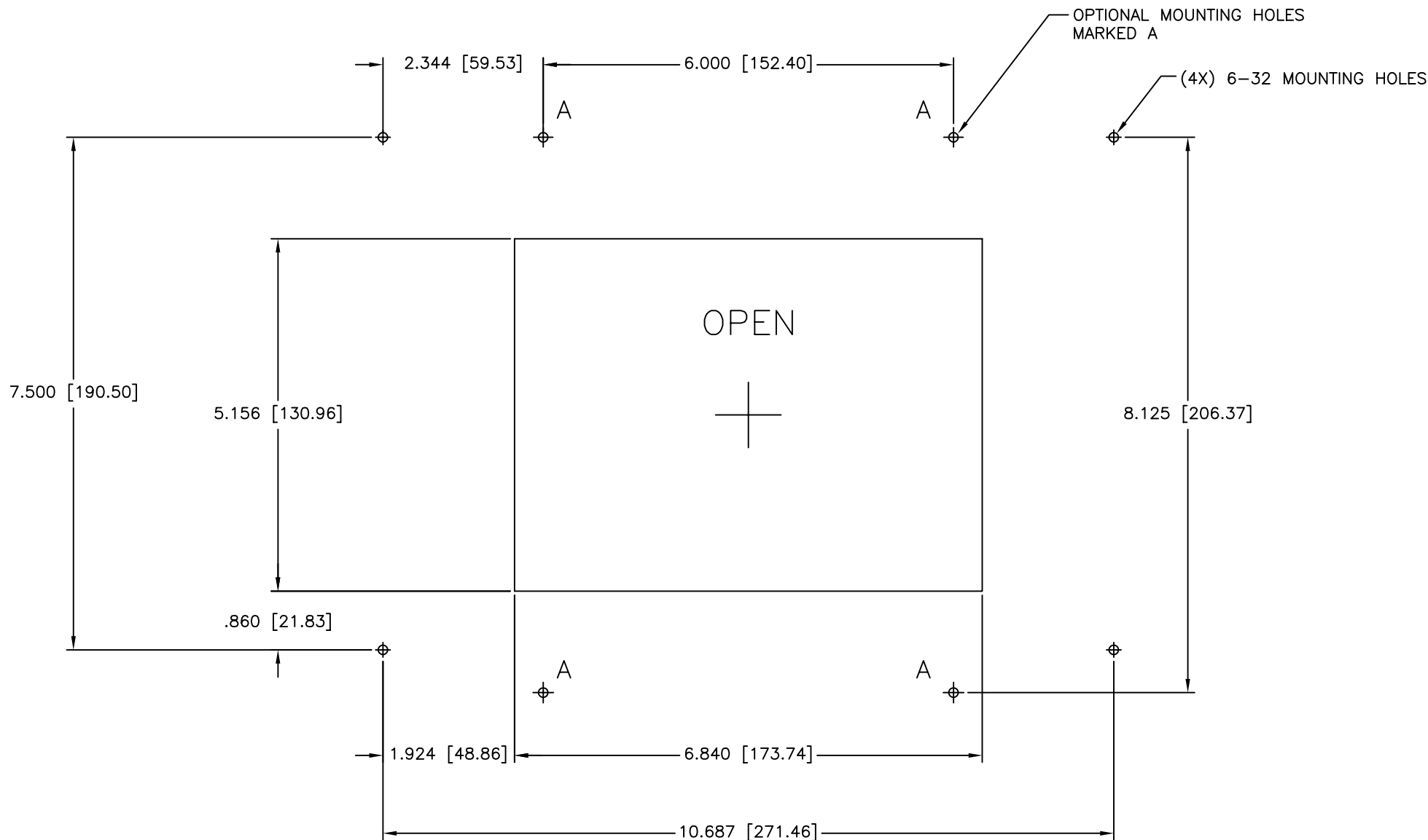
C

B

B

A

A



PANEL CUTOUT

ITEM	QTY	MFR. PT.NO.	DESCRIPTION	SYM/NOTE
LIST OF MATERIALS				
UNLESS OTHERWISE SPECIFIED DIMENSIONS ARE IN INCHES AND APPLY BEFORE FINISH SURFACE ROUGHNESS .125/ TOLERANCE ON FRACTIONS DECIMALS ANGLES ± 1/64 ±.XX=.02 ± 1/2		DRAWN RKH	DATE 4/16/04	 VARTECH SYSTEMS OUTLINE DRAWING VT084C XGA 12VDC / 24VDC
		CHECKED		
		DRAFTING		
		ENGINEER		
MATERIAL		MANUF		SIZE D
FINISH		APPROVED		DWG NO. 601-0097
APPLICATION		QA		REV 2
SCALE 1 : 1			SHEET 2 OF 2	

8 7 6 5 4 3 2 1

FILE NUMBER: 6010097B-R2