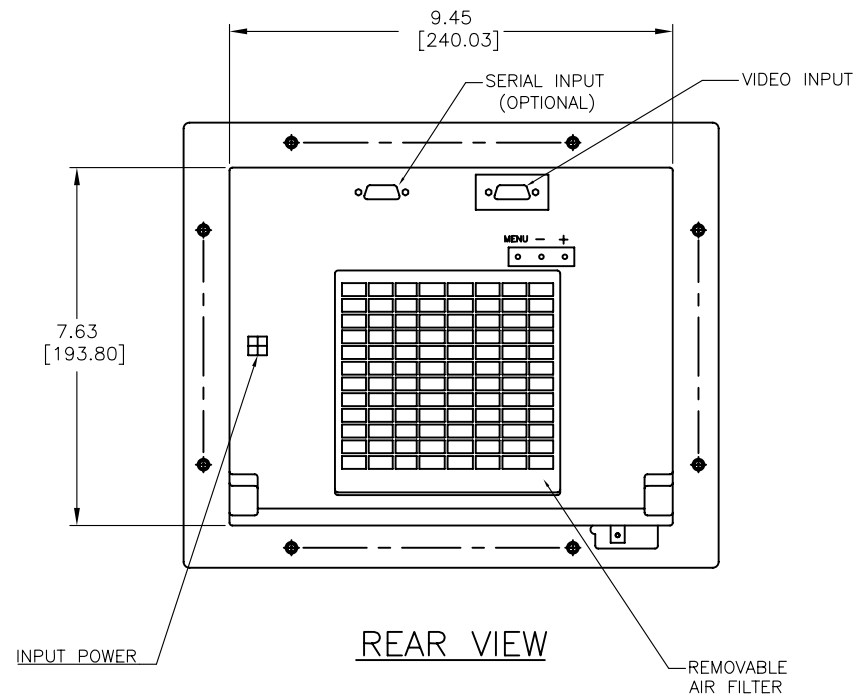
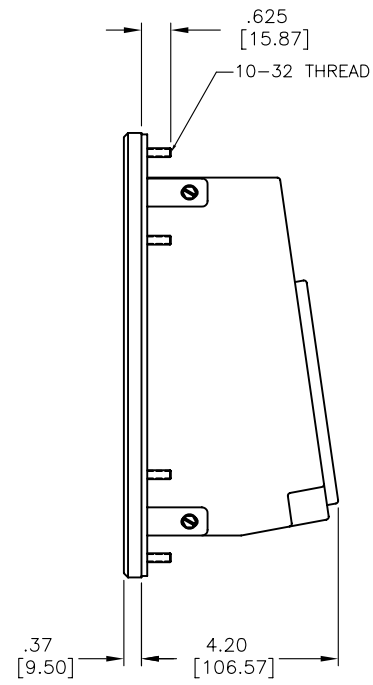
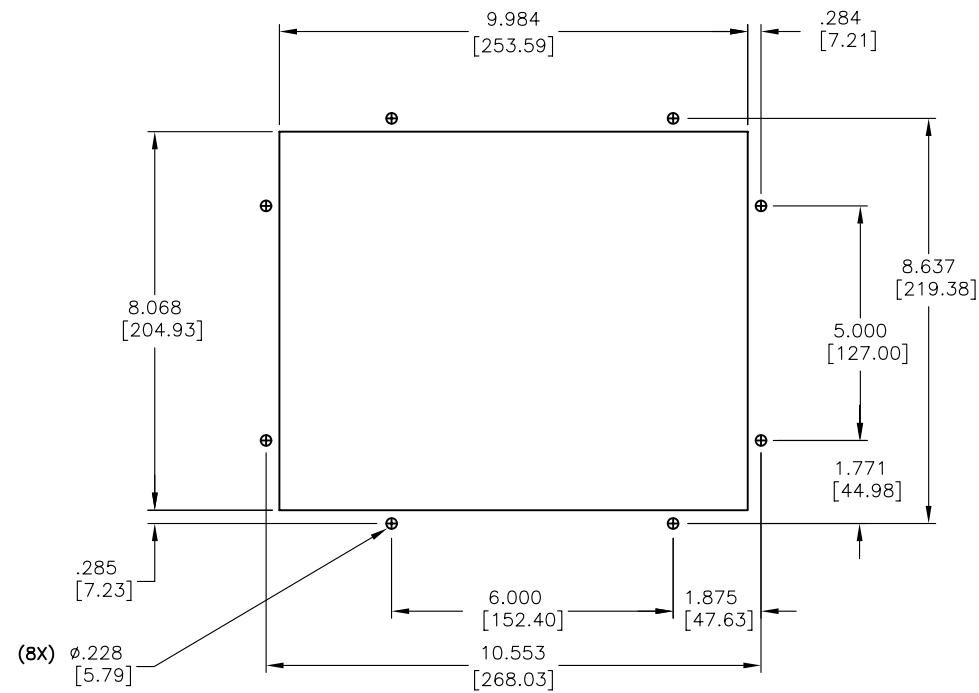


FRONT VIEW



REAR VIEW



RECOMMENDED PANEL OPENING
DEBURR ALL HOLES & BREAK SHARP EDGES

ITEM	QTY	MFR. PT.NO.	DESCRIPTION	SYM/NOTE
LIST OF MATERIALS				
UNLESS OTHERWISE SPECIFIED DIMENSIONS ARE IN INCHES AND APPLY BEFORE FINISH SURFACE ROUGHNESS .125/ TOLERANCE ON FRACTIONS DECIMALS ANGLES ± 1/64 ±.XX=.02 ± 1/2		DRAWN NJM	DATE 09/13/07	VARTECH SYSTEMS
		CHECKED		
		DRAFTING		
		ENGINEER		
MATERIAL		MANUF		VT084P OUTLINE
FINISH		APPROVED		
APPLICATION		QA		
VT084P			SIZE D	DWG NO. 482-0001-00
USED ON				REV 00
SCALE 1 : 2			SHEET 1 OF 1	