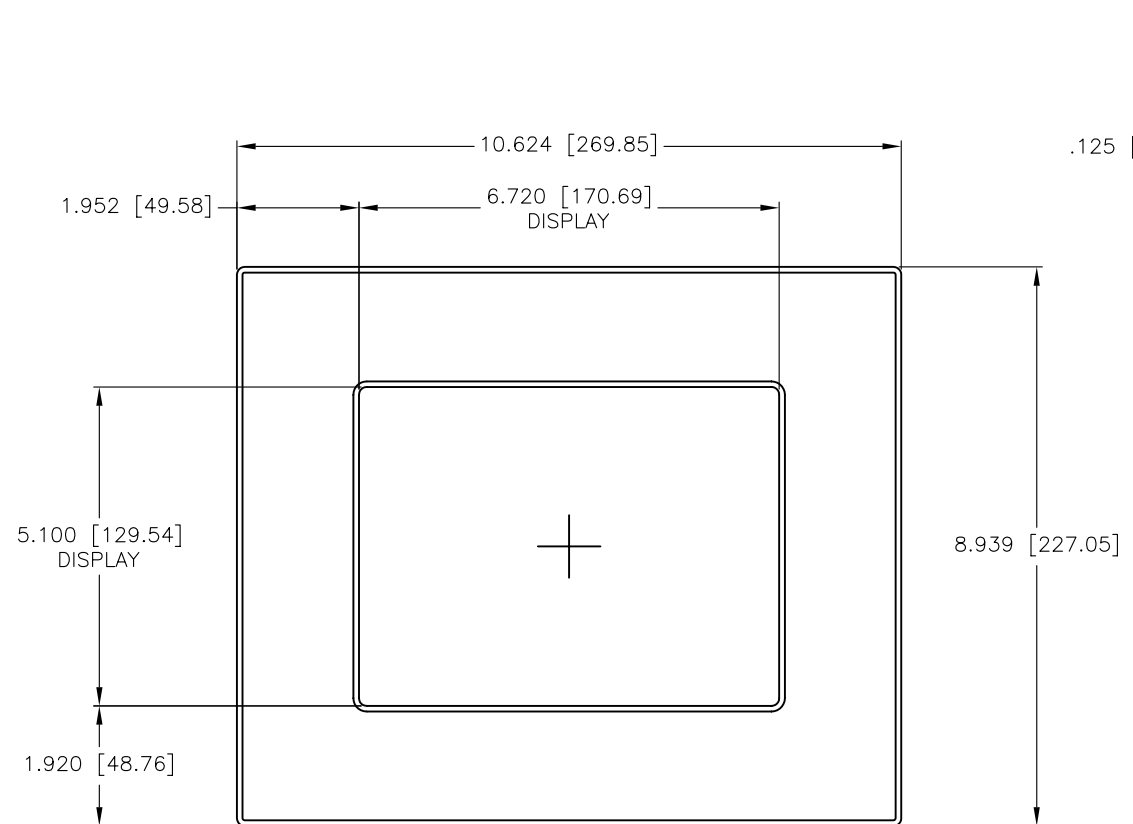
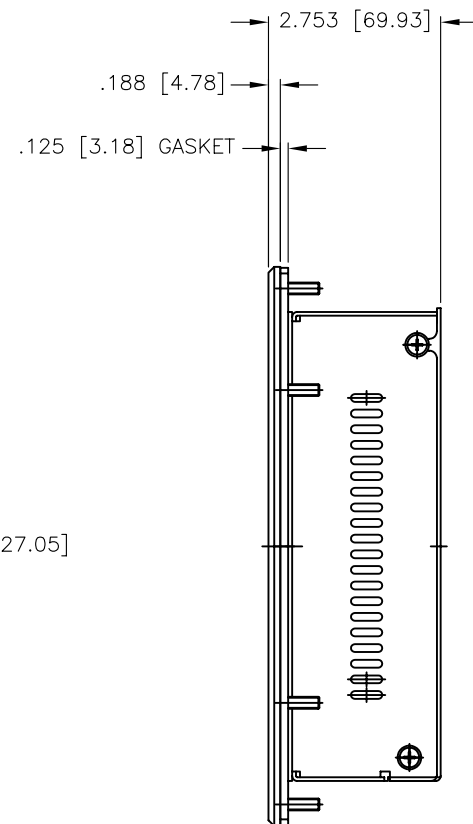


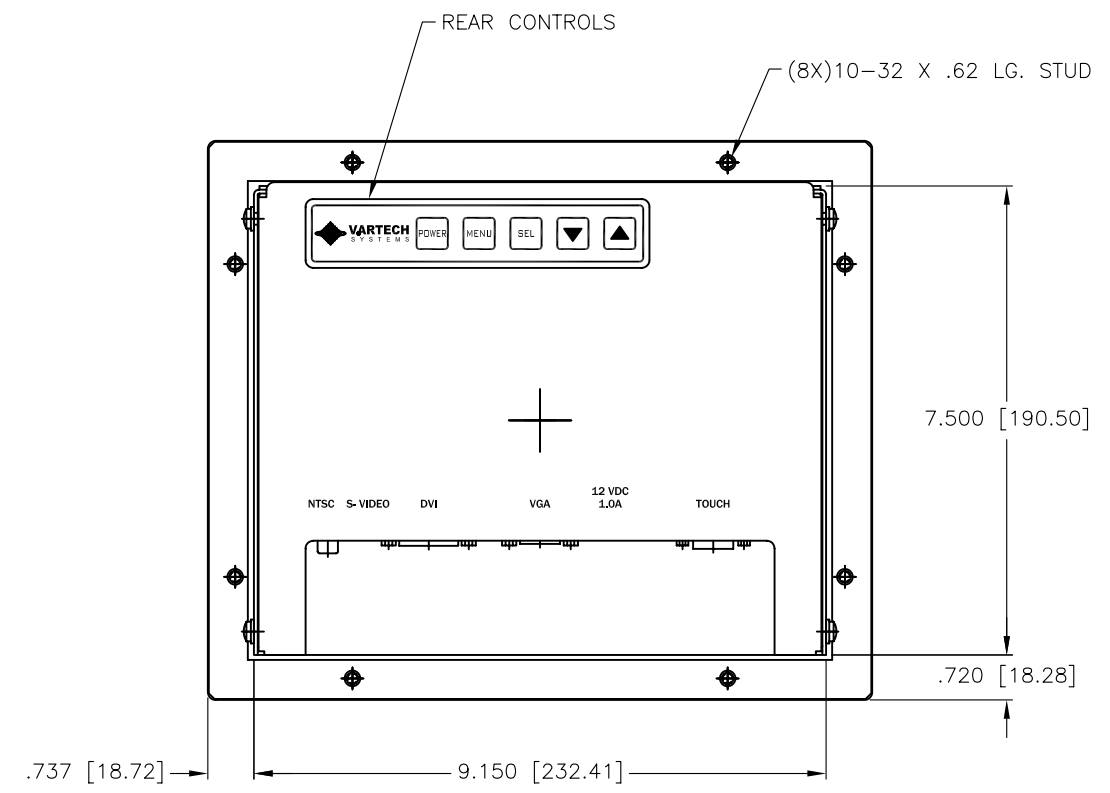
| CHANGE HISTORY | | |
|----------------|---------------------|-----------------------|
| FILE INDEX | DESCRIPTION | APPROVAL INITIAL DATE |
| 1 | PRELIMINARY RELEASE | |



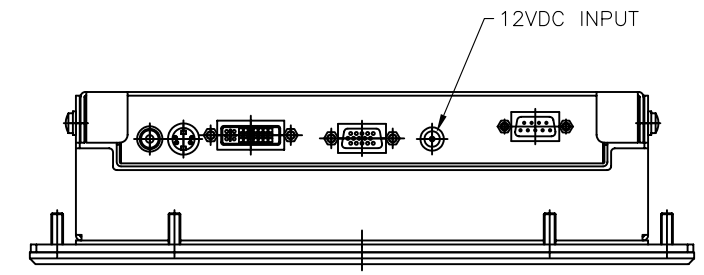
FRONT VIEW



SIDE VIEW



REAR VIEW



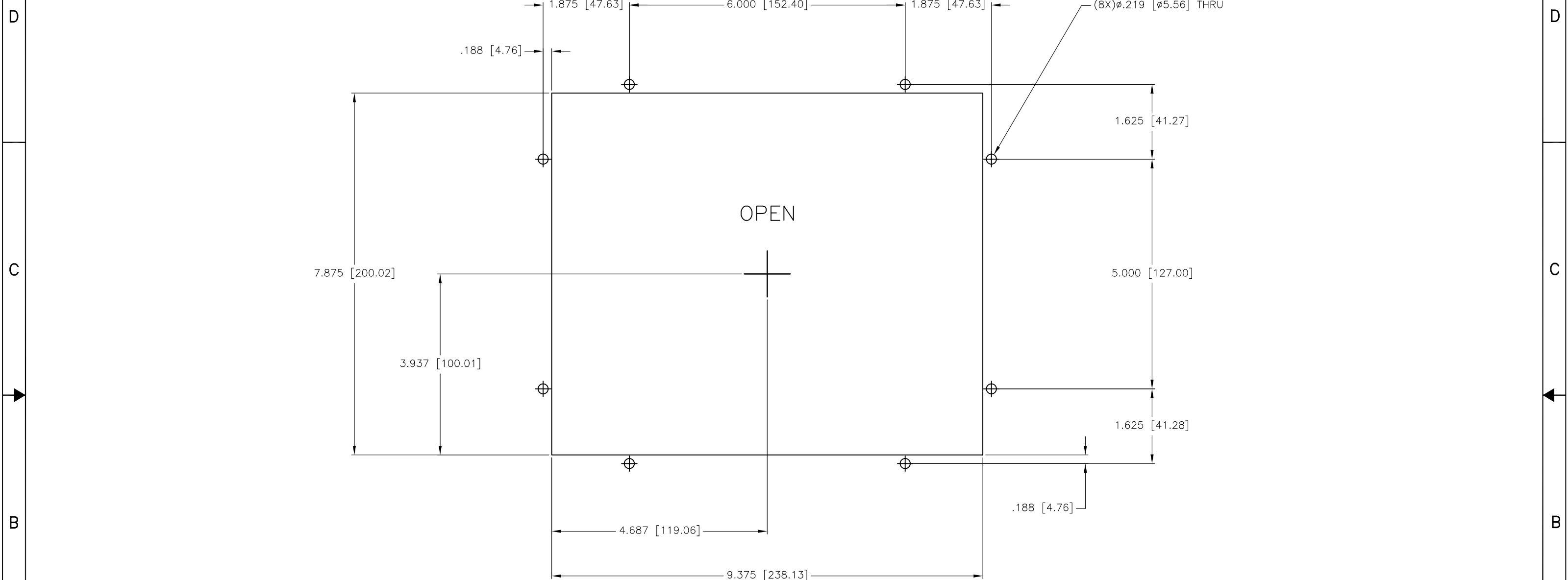
CONNECTOR VIEW

- NOTES:**
1. ALL DIMENSIONS ARE NOMINAL AND FOR REFERENCE ONLY. THIS DRAWING SHOULD NOT BE USED FOR DESIGN PURPOSES.
 2. WEIGHT OF UNIT IS 3 LBS.
 3. SHIPPING WEIGHT OF UNIT IS 8 LBS.

| ITEM | QTY | MFR. PT.NO. | DESCRIPTION | SYM/NOTE |
|--|-----|----------------------------|-------------|-----------------------------|
| LIST OF MATERIALS | | | | |
| UNLESS OTHERWISE SPECIFIED DIMENSIONS ARE IN INCHES AND APPLY BEFORE FINISH SURFACE ROUGHNESS .125/ TOLERANCE ON FRACTIONS DECIMALS ANGLES | | DRAWN DATE RVJ 03/13/07 | | VARTECH SYSTEMS |
| ± 1/64 ±.XX=.02 ± 1/2 | | CHECKED | | |
| MATERIAL | | DRAFTING | | |
| FINISH | | ENGINEER | | |
| VT084PSS | | MANUF | | OUTLINE DRAWING VT084PSS |
| USED ON | | APPROVED | | |
| APPLICATION | | QA | | SIZE D |
| | | | | DWG NO. 601-0073 |
| | | | | REV 1 |
| | | | | SCALE 1 : 1.5 |
| | | | | SHEET 1 OF 2 |

8 7 6 5 4 3 2 1

| CHANGE HISTORY | | |
|----------------|---------------------|-----------------------|
| FILE INDEX | DESCRIPTION | APPROVAL INITIAL DATE |
| 1 | PRELIMINARY RELEASE | |



PANEL CUTOUT

| ITEM | QTY | MFR. PT.NO. | DESCRIPTION | SYM/NOTE |
|---|-----|--------------|------------------|---|
| LIST OF MATERIALS | | | | |
| UNLESS OTHERWISE SPECIFIED DIMENSIONS ARE IN INCHES AND APPLY BEFORE FINISH SURFACE ROUGHNESS .125/ TOLERANCE ON FRACTIONS DECIMALS ANGLES ± 1/64 ±.XX=.02 ± 1/2 | | DRAWN RVJ | DATE 03/13/07 | VARTECH SYSTEMS OUTLINE DRAWING VT084PSS |
| | | CHECKED | | |
| | | DRAFTING | | |
| | | ENGINEER | | |
| | | MANUF | | |
| | | APPROVED | | SIZE D |
| | | QA | | DWG NO. 601-0073 |
| | | | | REV 1 |
| | | | | SCALE 1 : 1 |
| | | | | SHEET 2 OF 2 |

8 7 6 5 4 3 2 1

FILE NUMBER: 6010073B-R1