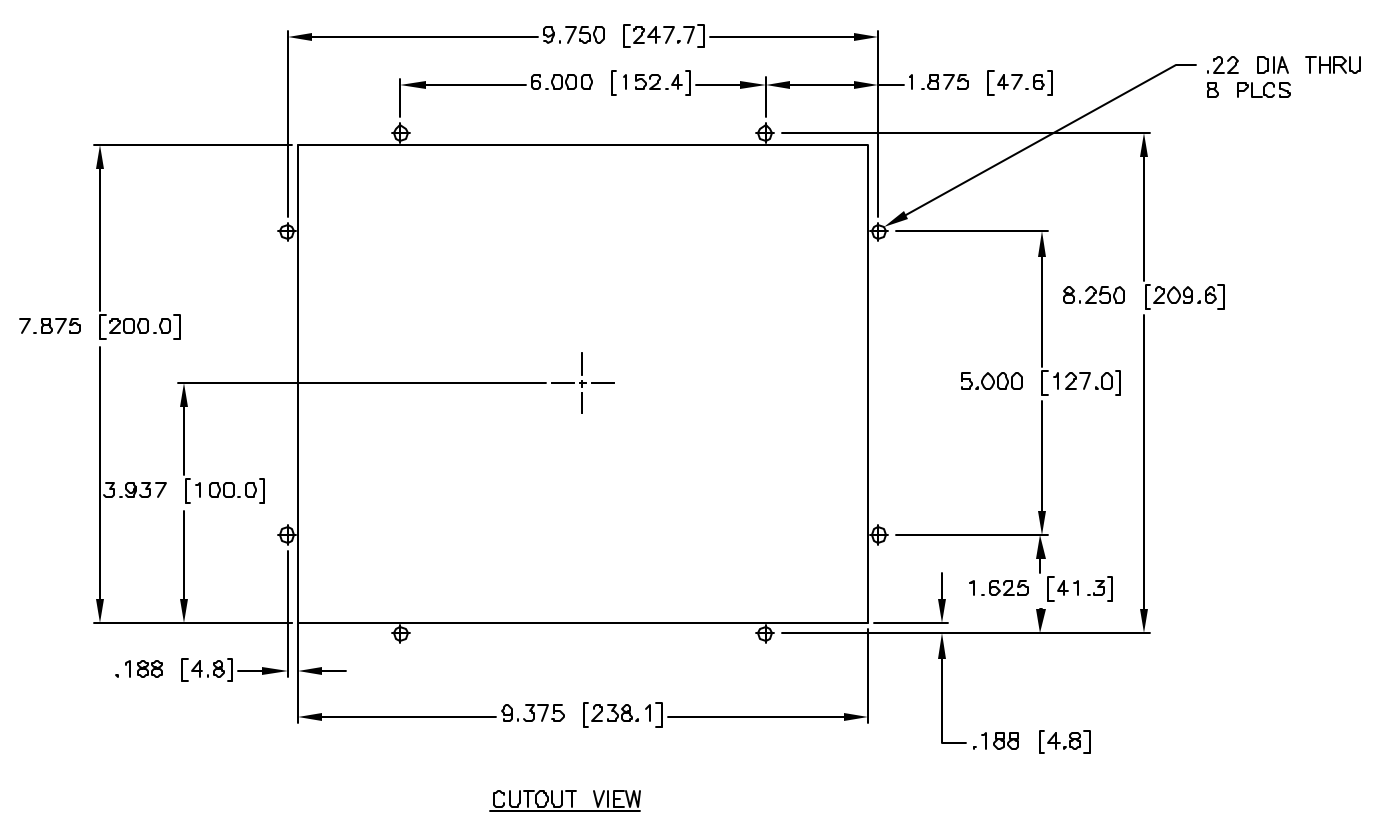
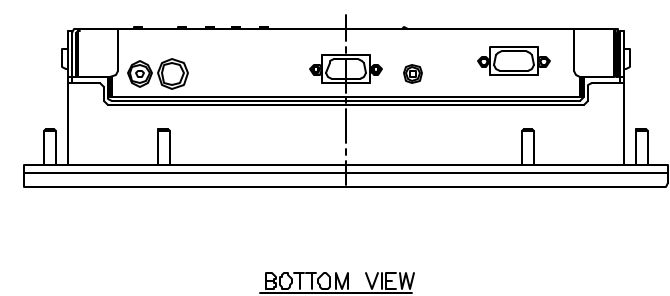
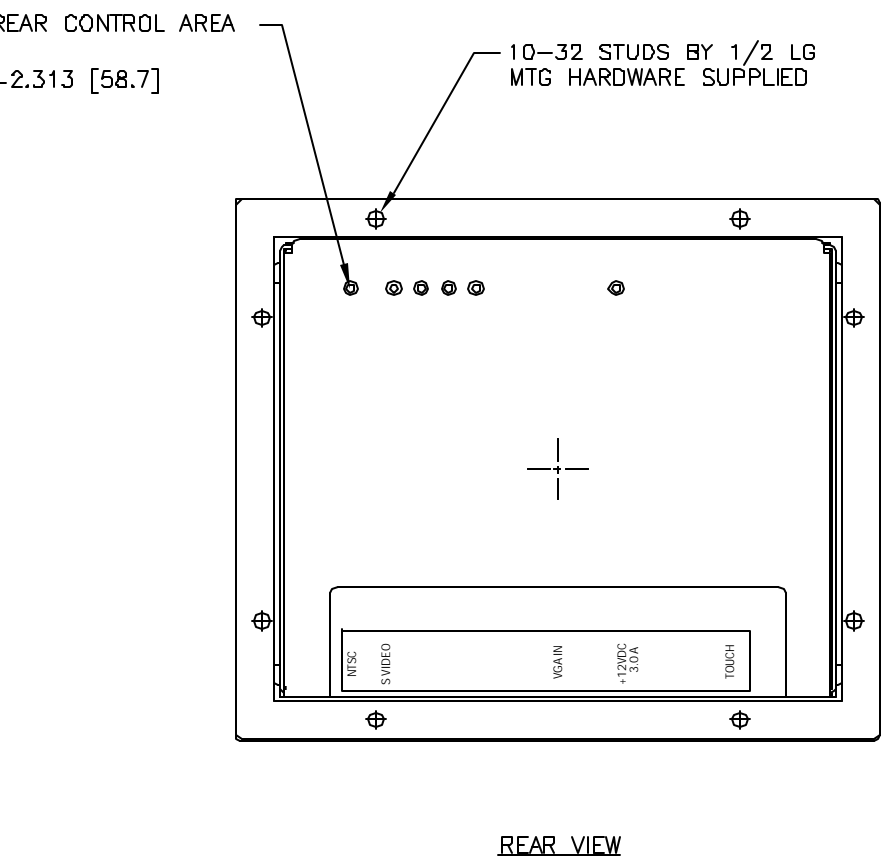
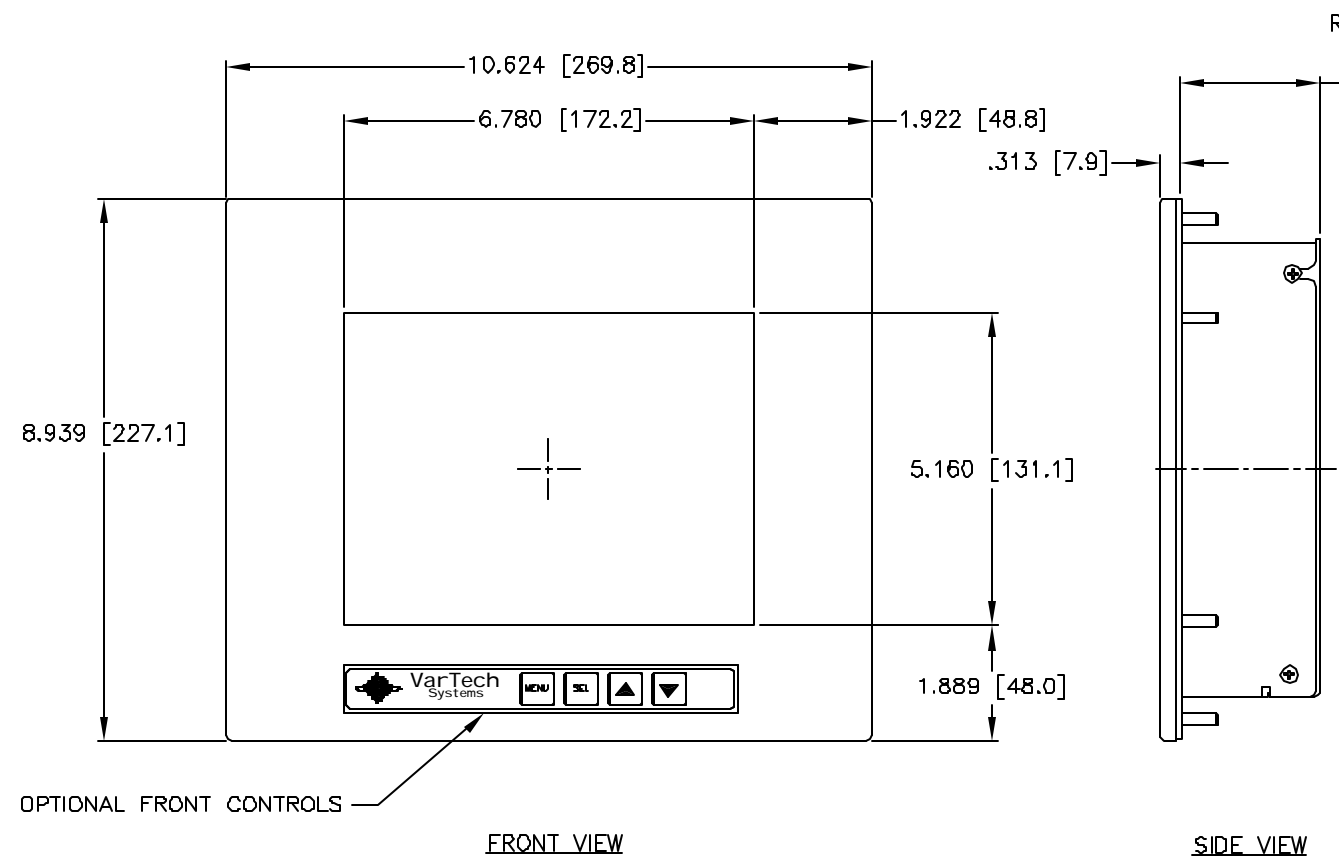


CHANGE HISTORY			
FILE INDEX	DESCRIPTION	INITIAL	DATE
1	PRELIMINARY RELEASE		



ITEM	QTY	MFR. PT.NO.	DESCRIPTION	SYM/NOTE
LIST OF MATERIALS				
UNLESS OTHERWISE SPECIFIED DIMENSIONS ARE IN INCHES AND APPLY BEFORE FINISH SURFACE ROUGHNESS .125 TOLERANCE ON		DATE	VARTECH SYSTEMS	
		30JUN03		
		DRAWN	OUTLINE DRAWING VT084P	
		CHKD		
		DRAFTING	SIZE D DWG NO. 601-0069 REV 1	
		ENGINEER		
		MANUF	SCALE 1 : 1 SHEET 1 OF 1	
		APPROVED		
		QA		
VT084P		FINISH		
USED ON		APPLICATION		