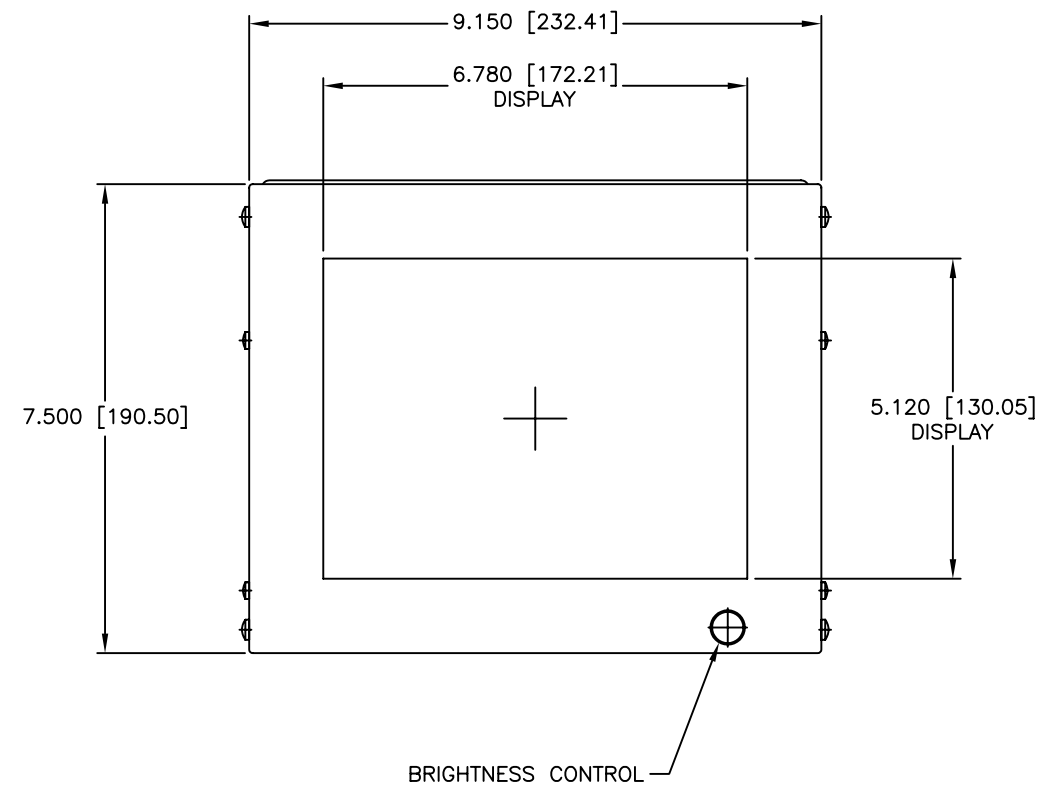
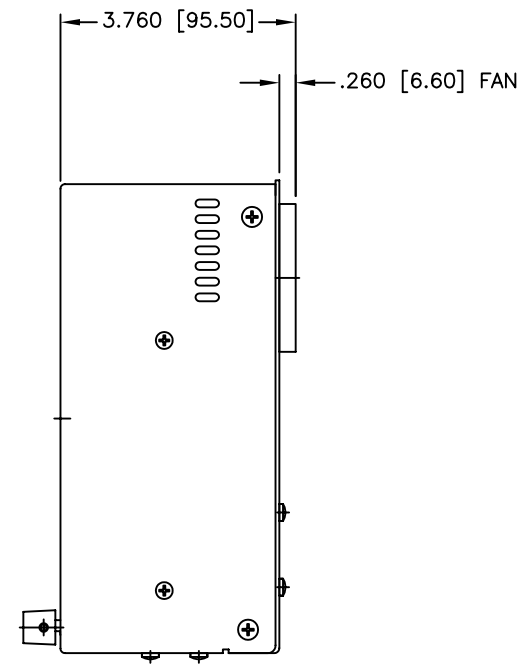


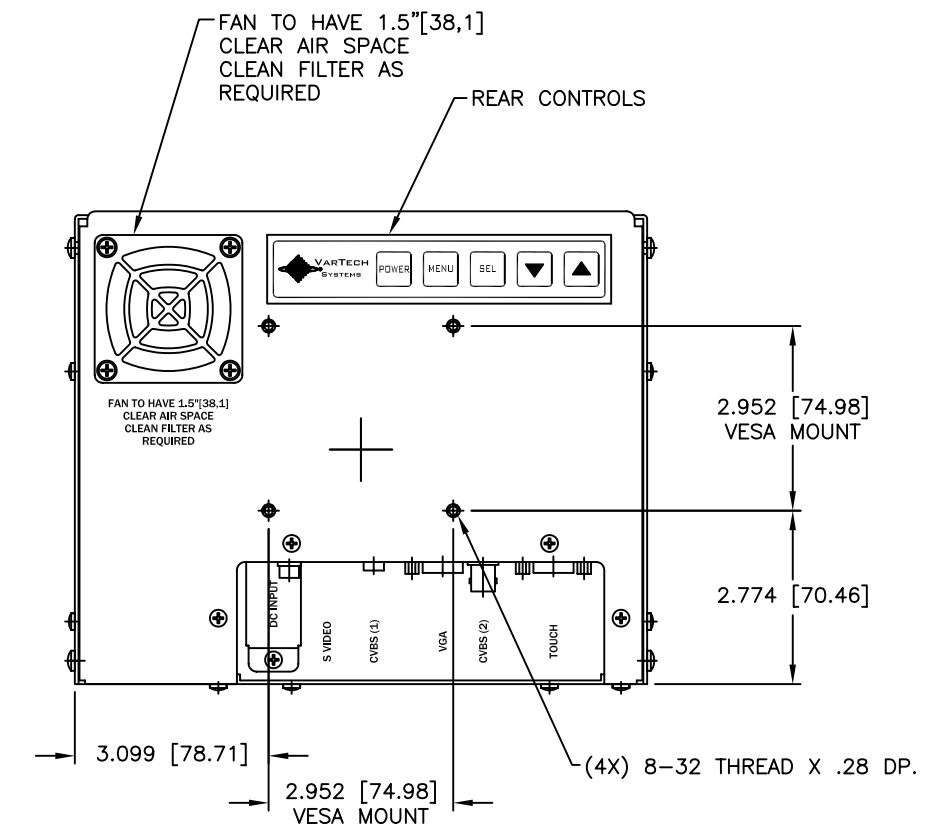
CHANGE HISTORY		
FILE INDEX	DESCRIPTION	APPROVAL INITIAL DATE
1	PRELIMINARY RELEASE	



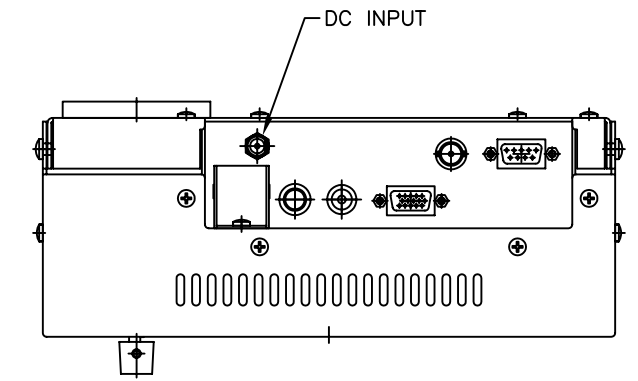
FRONT VIEW



SIDE VIEW



REAR VIEW

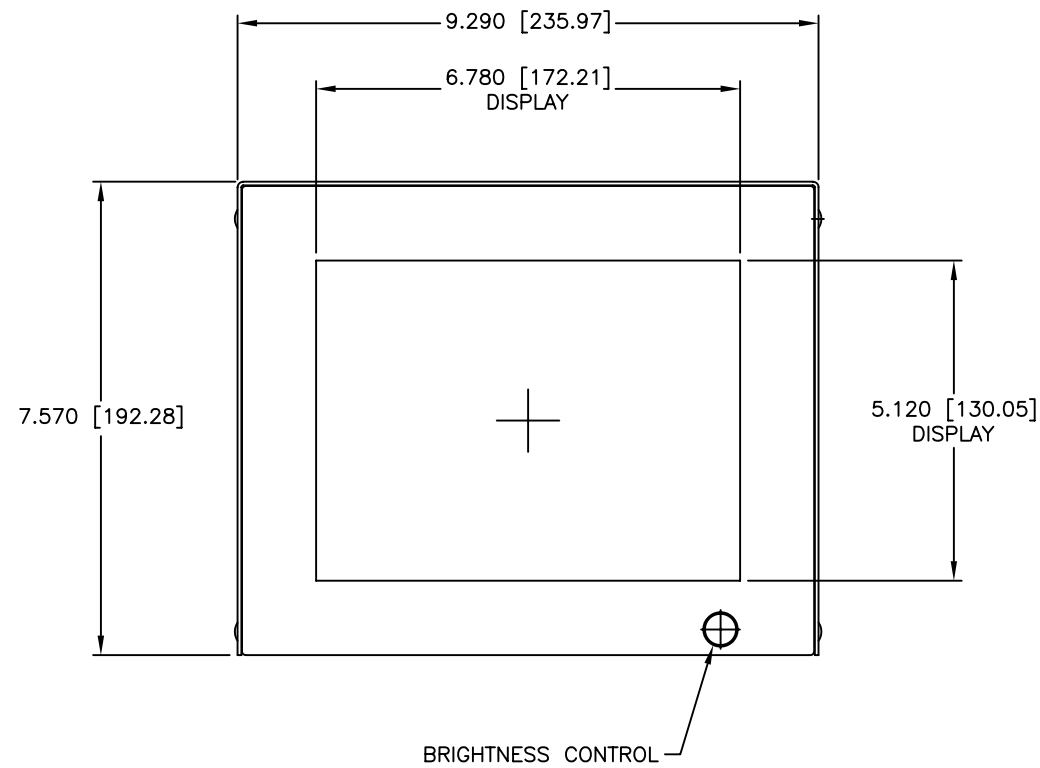


CONNECTOR VIEW

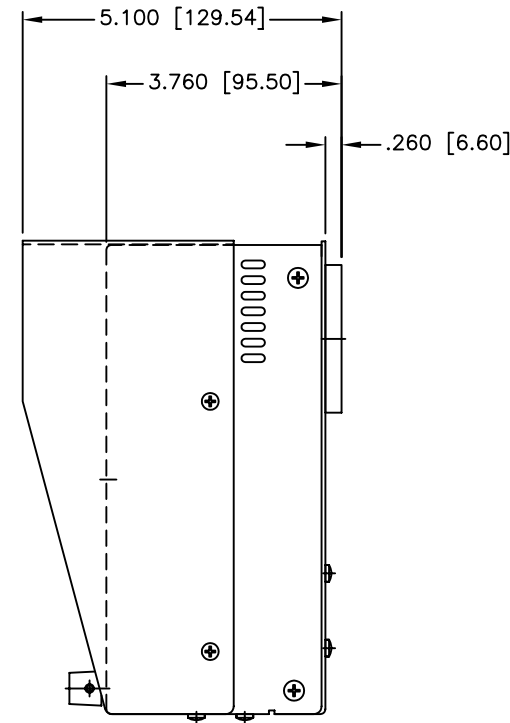
- NOTES:**
1. ALL DIMENSIONS ARE NOMINAL AND FOR REFERENCE ONLY. THIS DRAWING SHOULD NOT BE USED FOR DESIGN PURPOSES.
 2. WEIGHT OF UNIT IS 8.5 LBS.
 3. SHIPPING WEIGHT OF UNIT IS 15 LBS.

ITEM	QTY	MFR. PT.NO.	DESCRIPTION	SYM/NOTE
LIST OF MATERIALS				
UNLESS OTHERWISE SPECIFIED DIMENSIONS ARE IN INCHES AND APPLY BEFORE FINISH SURFACE ROUGHNESS .125/ TOLERANCE ON FRACTIONS DECIMALS ANGLES		DRAWN DATE RVJ 04/21/05		 VARTECH SYSTEMS OUTLINE DRAWING VT084WHB
± 1/64 ±.XX=.02 ± 1/2		CHECKED		
		DRAFTING		
		ENGINEER		
MATERIAL		MANUF		SIZE
FINISH		APPROVED		DWG NO.
APPLICATION		QA		601-0173
				REV
				1
SCALE 1 : 1.5			SHEET 1 OF 1	

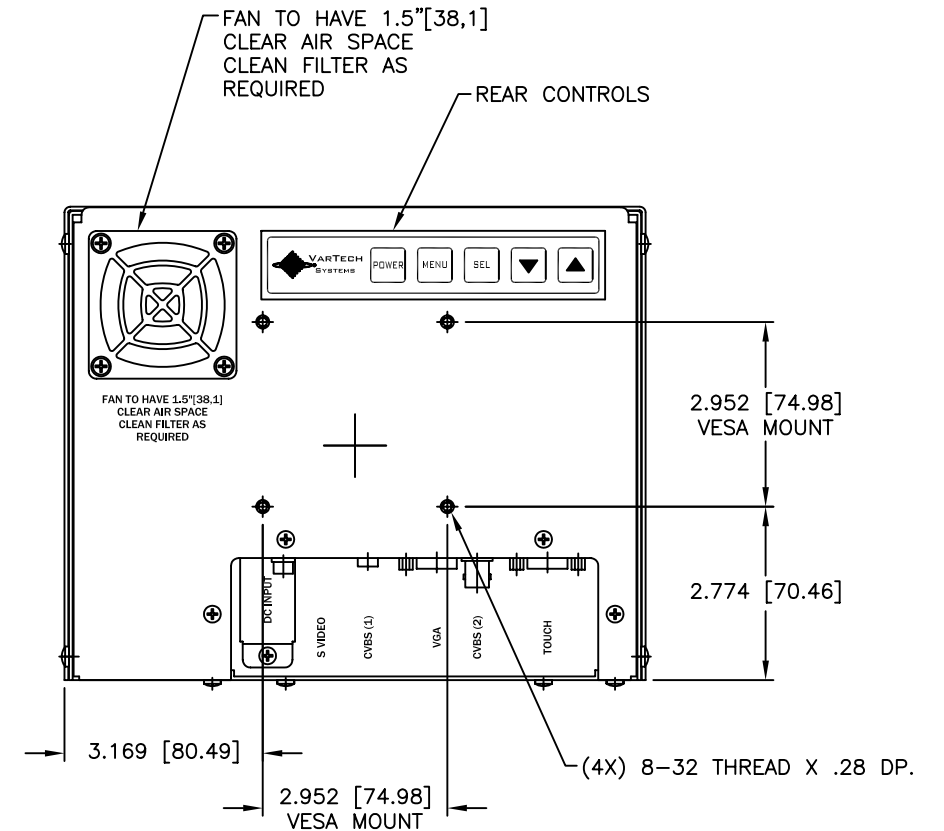
CHANGE HISTORY		
FILE INDEX	DESCRIPTION	APPROVAL INITIAL DATE
1	PRELIMINARY RELEASE	



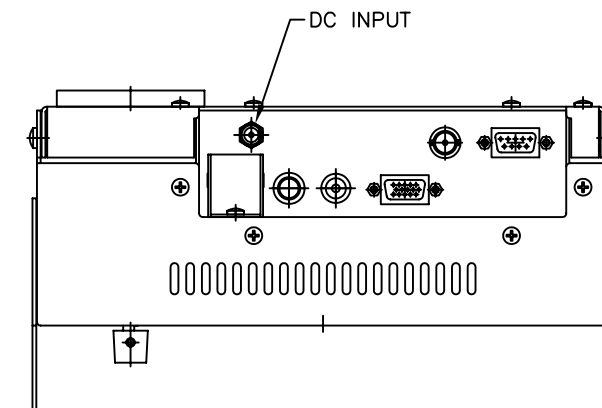
FRONT VIEW



SIDE VIEW



REAR VIEW



CONNECTOR VIEW

- NOTES:
1. ALL DIMENSIONS ARE NOMINAL AND FOR REFERENCE ONLY. THIS DRAWING SHOULD NOT BE USED FOR DESIGN PURPOSES.
 2. WEIGHT OF UNIT IS 8.5 LBS.
 3. SHIPPING WEIGHT OF UNIT IS 15 LBS.

ITEM	QTY	MFR. PT.NO.	DESCRIPTION	SYM/NOTE
LIST OF MATERIALS				
UNLESS OTHERWISE SPECIFIED DIMENSIONS ARE IN INCHES AND APPLY BEFORE FINISH SURFACE ROUGHNESS .125/ TOLERANCE ON FRACTIONS DECIMALS ANGLES		DRAWN DATE RVJ 04/21/05		VARTECH SYSTEMS
± 1/64 ±.XX=.02 ± 1/2		CHECKED		
		DRAFTING		
		ENGINEER		
MATERIAL		MANUF		OUTLINE DRAWING VT084WHB W/HOOD
VT084WHB		APPROVED		
WITH HOOD		QA		
USED ON				SIZE D
APPLICATION				DWG NO. 601-0175
				REV 1
		SCALE 1 : 1.5		SHEET 1 OF 1