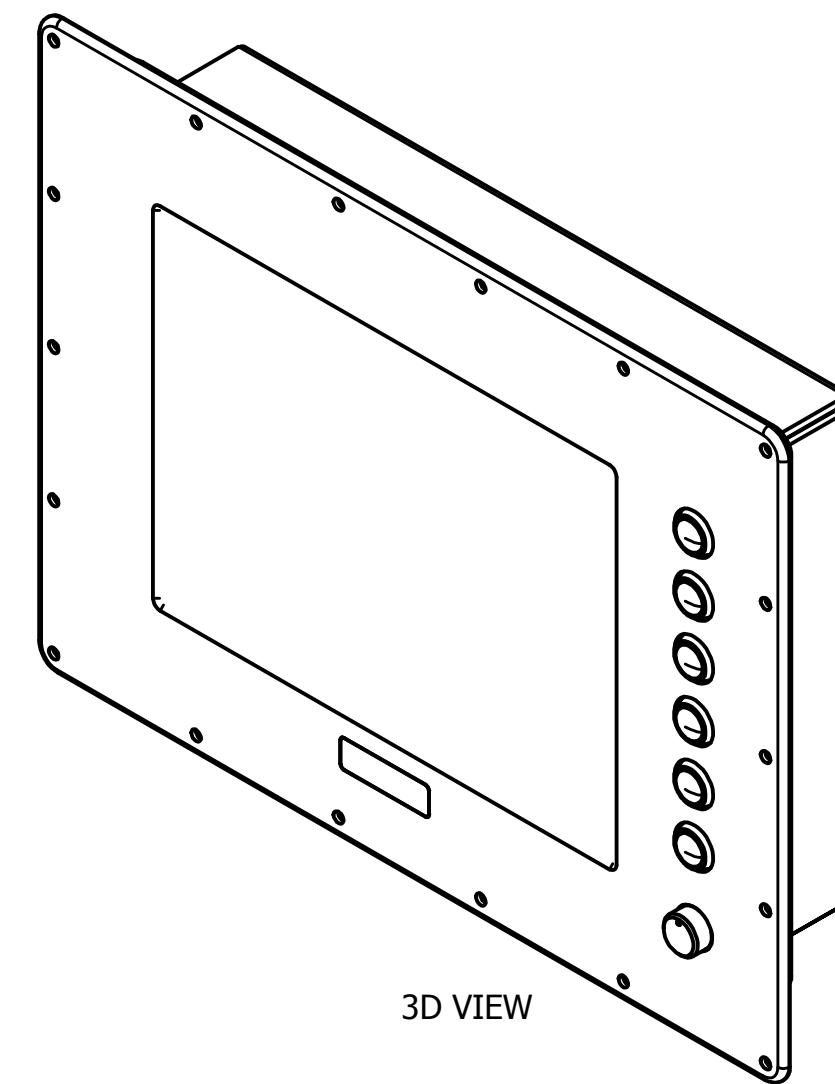
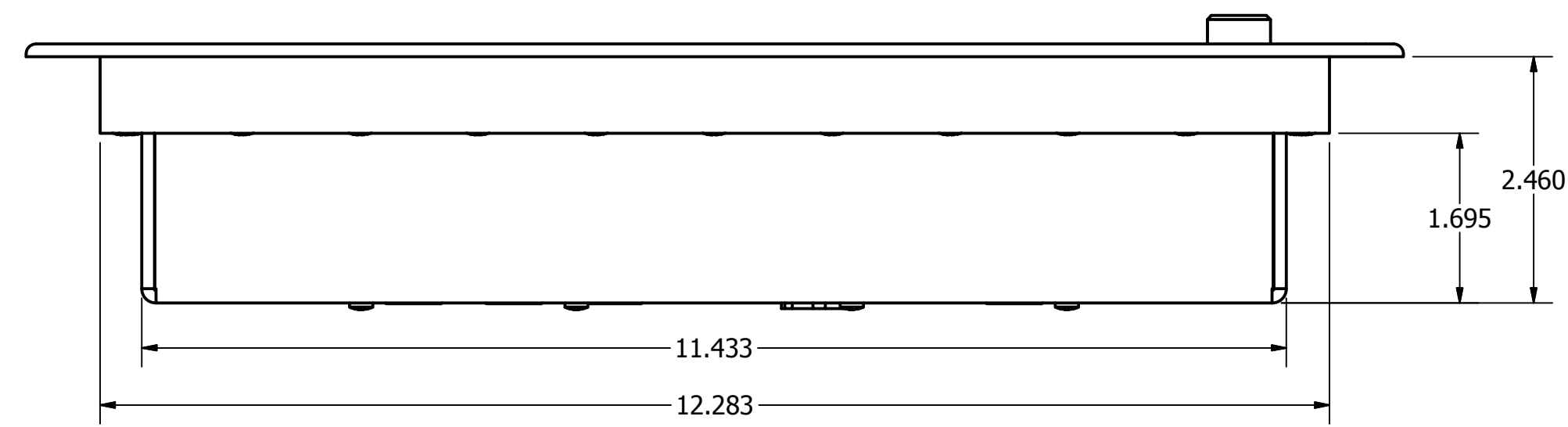
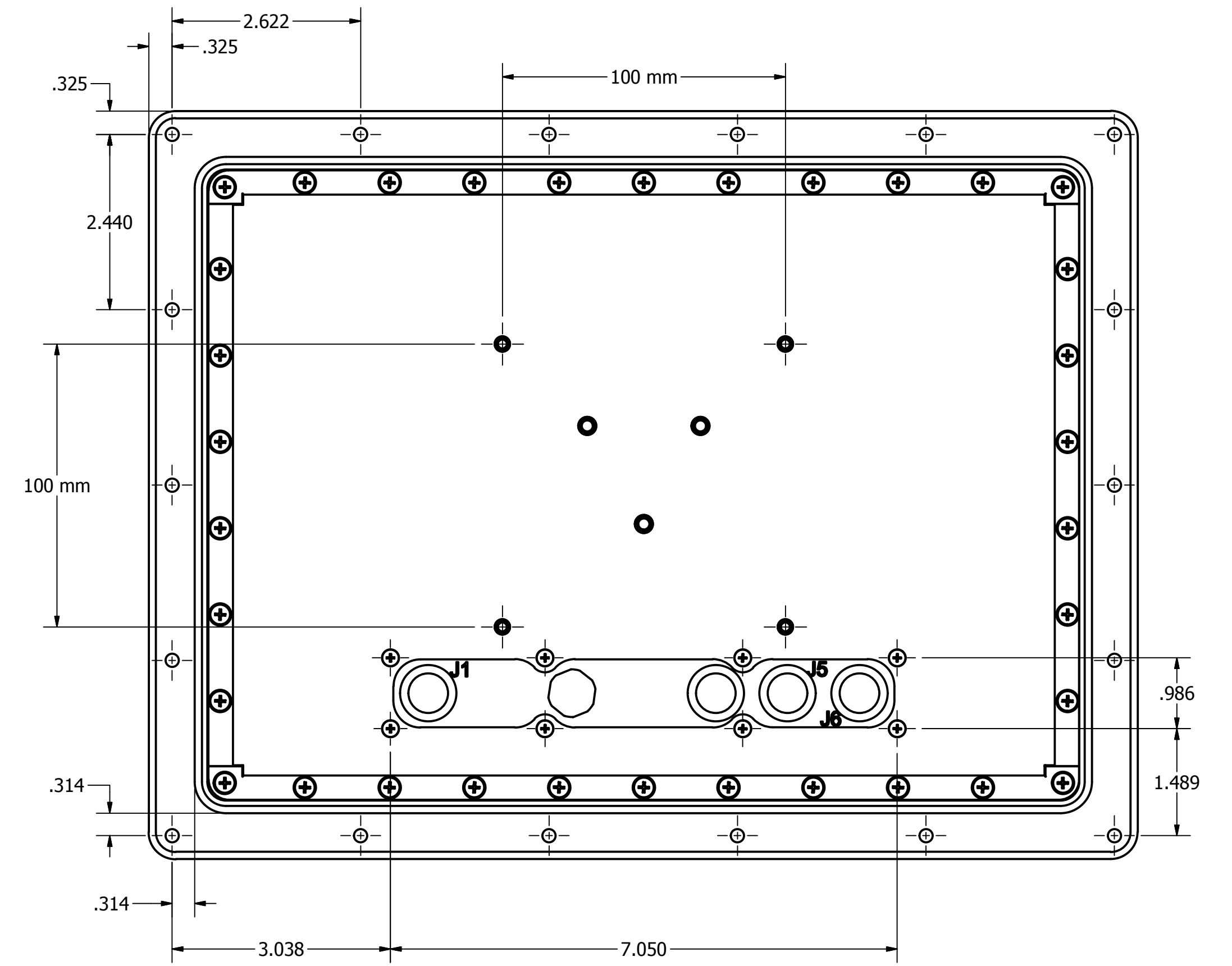
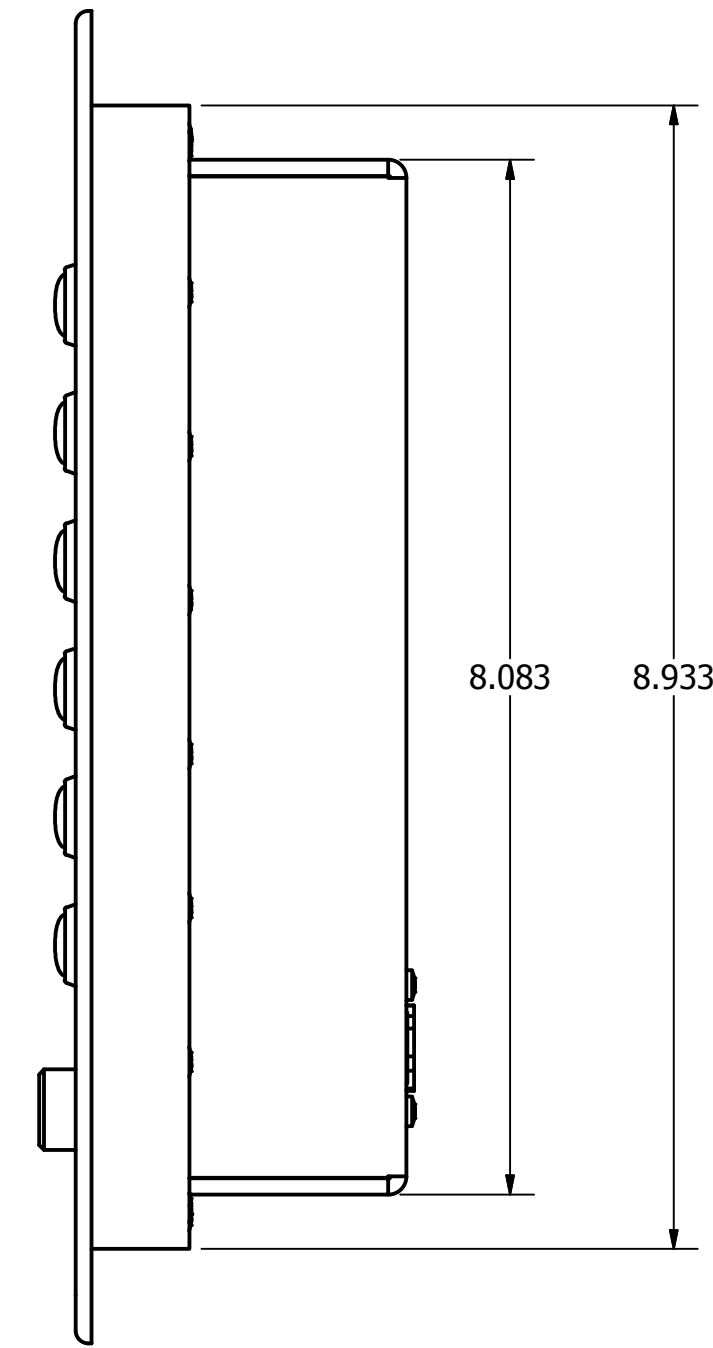
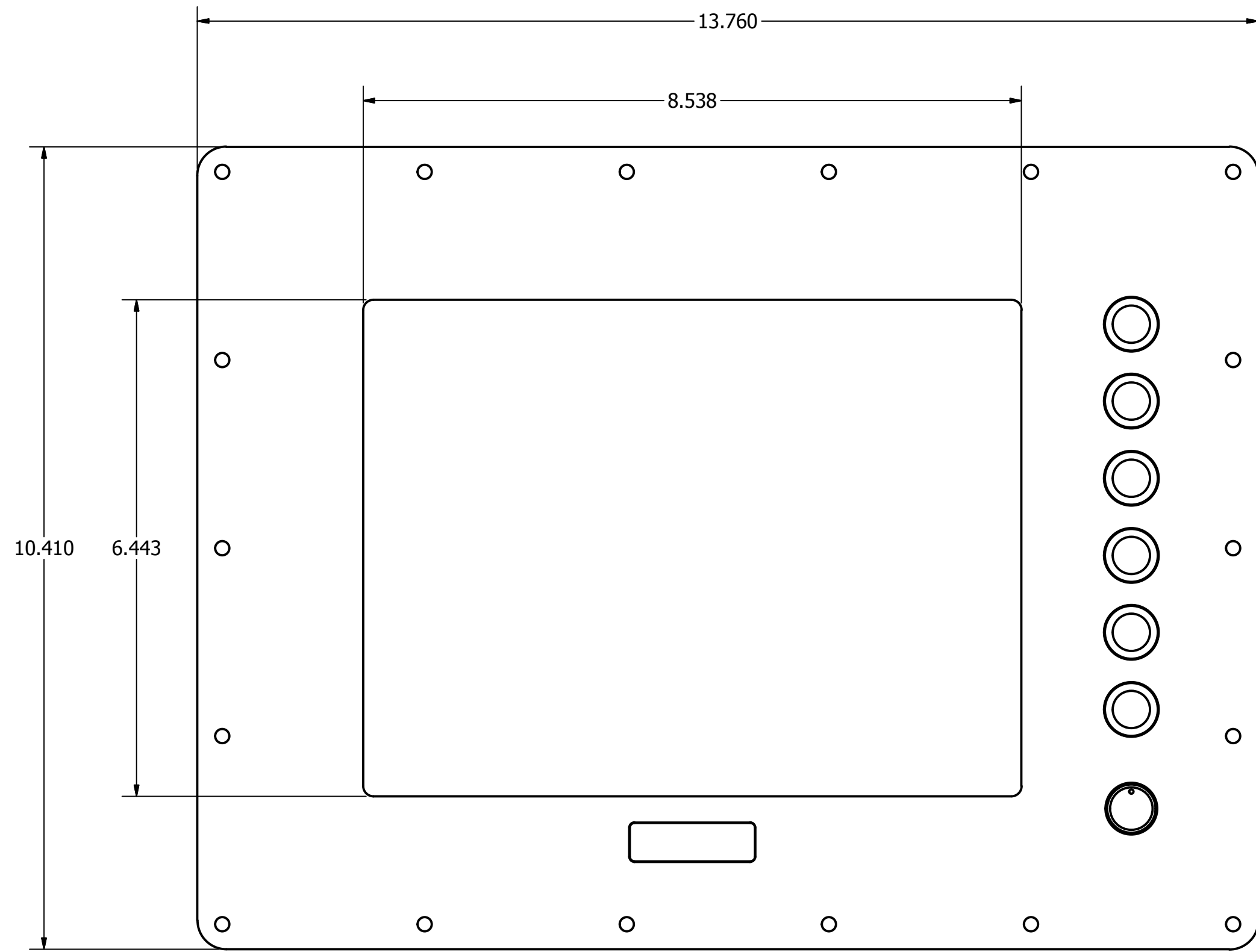


REVISION HISTORY			
REV	DESCRIPTION	INITIAL	DATE
1	NEW RELEASE	JAC	9/29/2011



3D VIEW

DRAWN	A Carlton	9/29/2011	 VARTECH SYSTEMS	
CHECKED				
QA			TITLE OUTLINE DRAWING, VT104XA4-FM-D-3B-0-0-0-0-0	
MFG				
APPROVED				
USED ON	MATERIAL:		SIZE D	TOLERANCES: .XX = .01 .XXX = .005
APPLICATION			DWG NO 482-0144-00-01	REV 1
			FINISH: SHEET 1 OF 1	