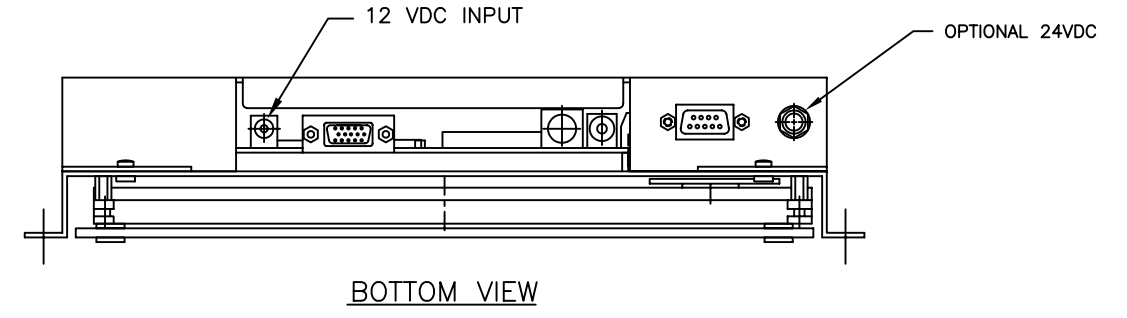
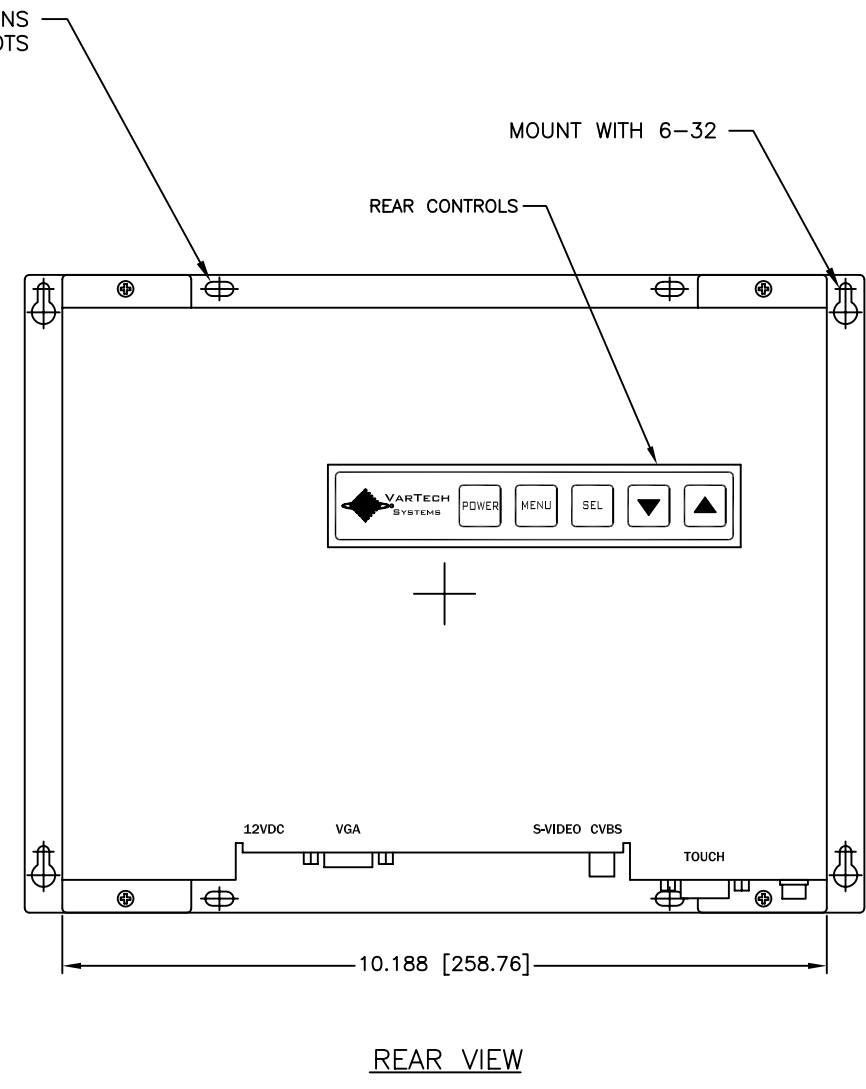
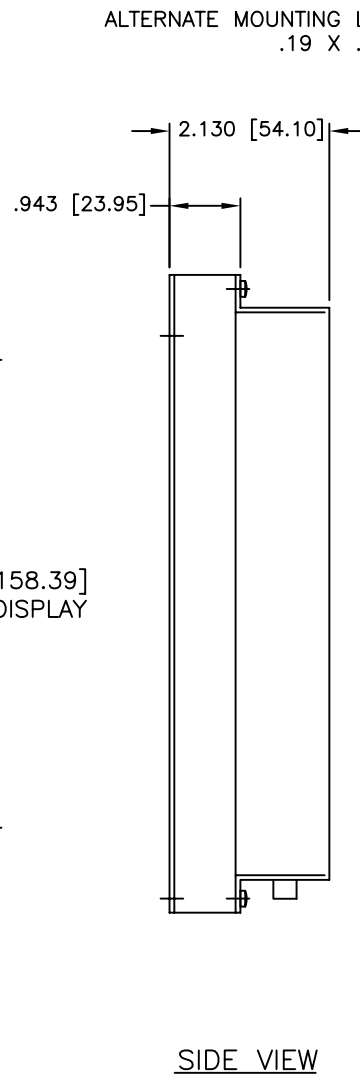
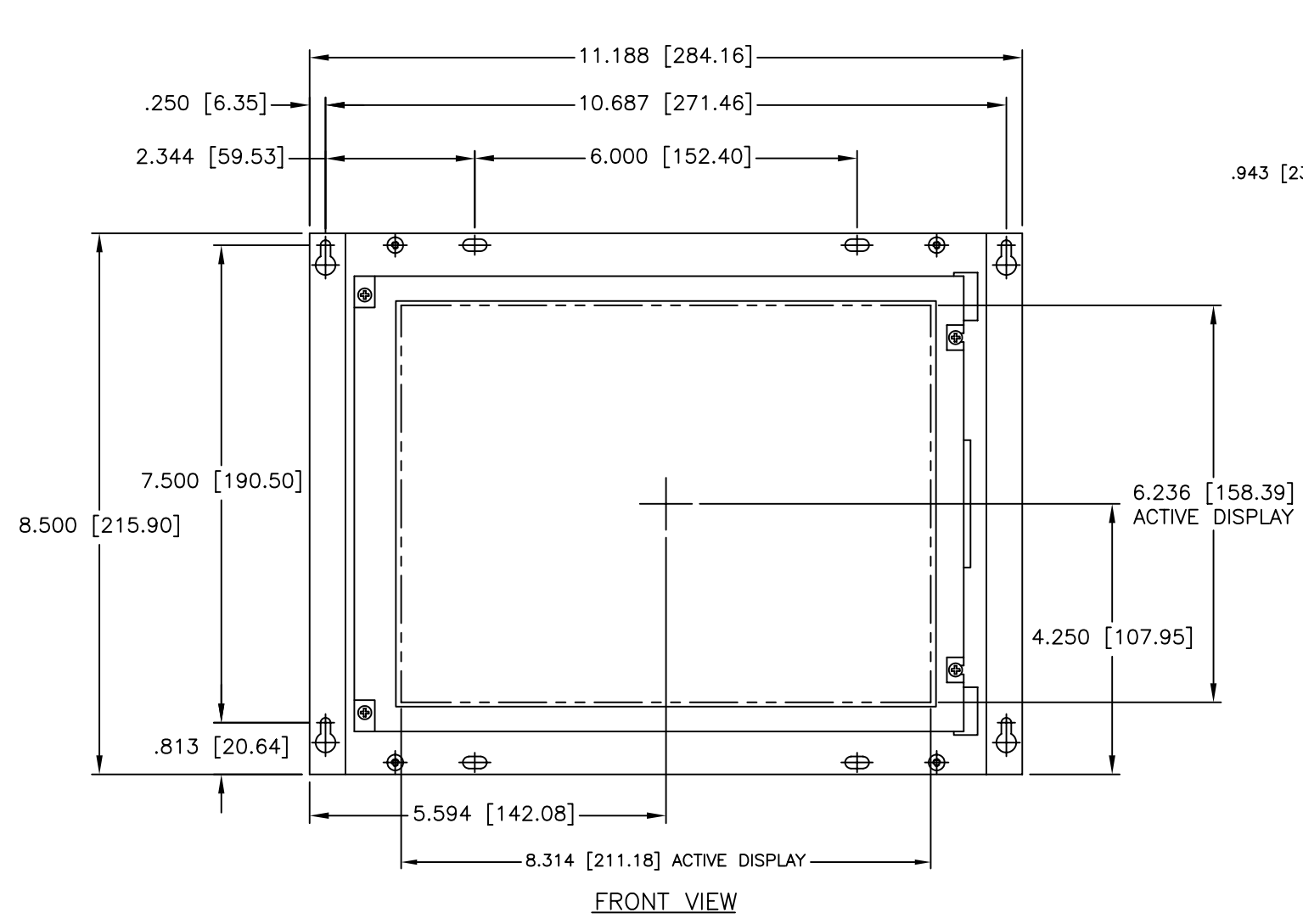


CHANGE HISTORY			
FILE INDEX	DESCRIPTION	APPROVAL INITIAL	DATE
1	PRELIMINARY RELEASE		
2	REVISED PER Δ	-	-
3	NEW DESIGN AND MOUNTING, ADDED SHT 2	DMS	1/03/04



- NOTES:
1. ALL DIMENSIONS ARE NOMINAL AND FOR REFERENCE ONLY. THIS DRAWING SHOULD NOT BE USE FOR DESIGN PURPOSES.
 2. WEIGHT OF UNIT IS 2.8 LBS.
 3. SHIPPING WEIGHT OF UNIT IS 9 LBS.
 4. SEE SHEET 2 FOR PANEL CUTOUT DETAILS.

ITEM	QTY	MFR. PT.NO.	DESCRIPTION	SYM/NOTE
LIST OF MATERIALS				
UNLESS OTHERWISE SPECIFIED DIMENSIONS ARE IN INCHES AND APPLY BEFORE FINISH SURFACE ROUGHNESS .125/ TOLERANCE ON FRACTIONS DECIMALS ANGLES		DRAWN RKH	DATE 4/16/04	VARTECH SYSTEMS
± 1/64 ±.XX=.02 ± 1/2		CHECKED		
		DRAFTING		
		ENGINEER		
MATERIAL		MANUF		OUTLINE DRAWING VT104C 12VDC / 24VDC
FINISH		APPROVED		
APPLICATION		QA		
VT104C				SIZE D
USED ON				DWG NO. 601-0062
				REV 3
SCALE 1 : 1.25				SHEET 1 OF 2

8 7 6 5 4 3 2 1

CHANGE HISTORY		
FILE INDEX	DESCRIPTION	APPROVAL INITIAL DATE
3		

D

D

C

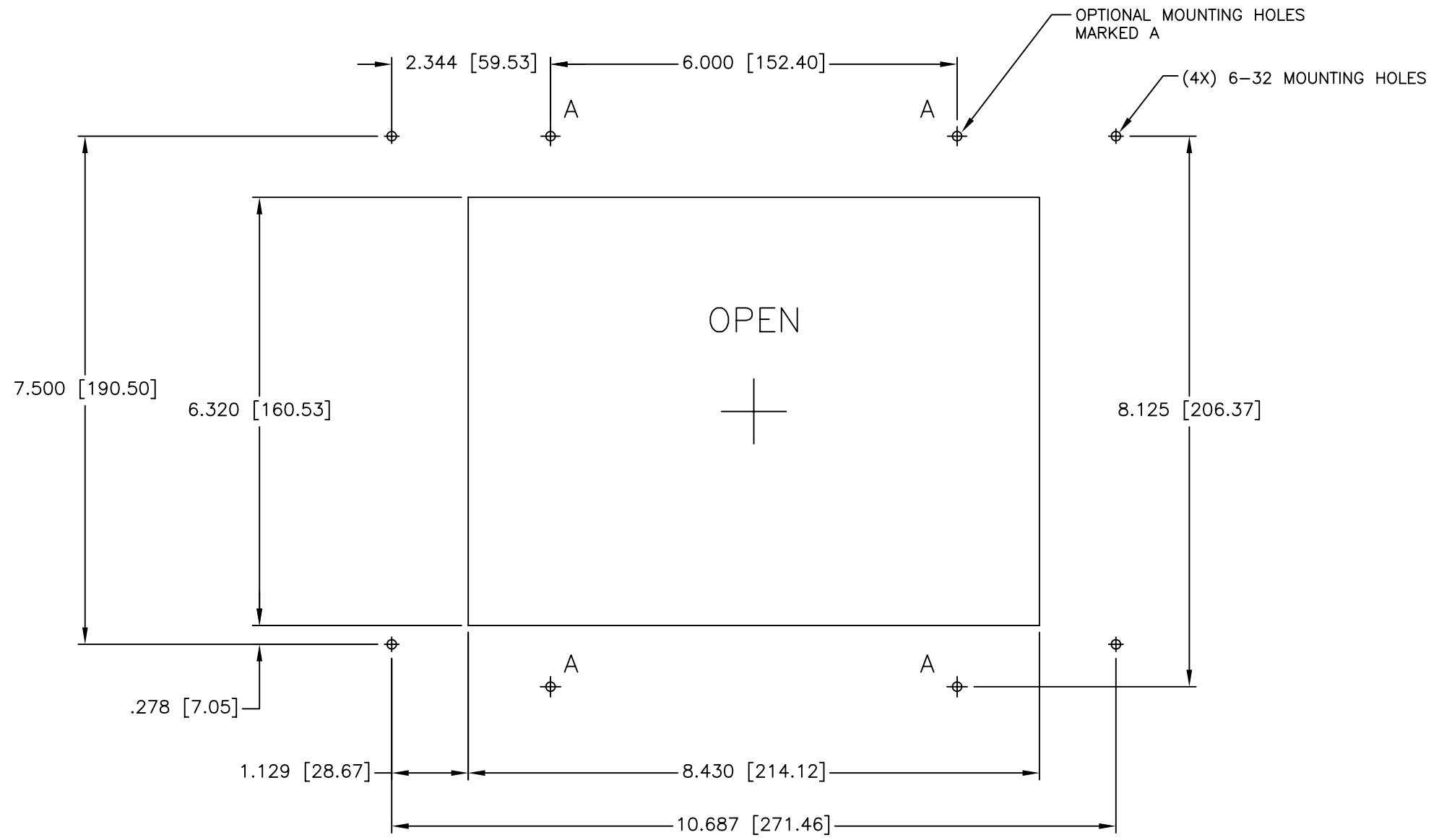
C

B

B

A

A



PANEL CUTOUT

ITEM	QTY	MFR. PT.NO.	DESCRIPTION	SYM/NOTE
LIST OF MATERIALS				
UNLESS OTHERWISE SPECIFIED DIMENSIONS ARE IN INCHES AND APPLY BEFORE FINISH SURFACE ROUGHNESS .125/ TOLERANCE ON FRACTIONS DECIMALS ANGLES ± 1/64 ±.XX=.02 ± 1/2		DRAWN RKH	DATE 4/16/04	 VARTECH SYSTEMS OUTLINE DRAWING VT104C 12VDC / 24VDC
		CHECKED		
		DRAFTING		
		ENGINEER		
MATERIAL		MANUF		SIZE D
VT104C		APPROVED		DWG NO. 601-0062
USED ON		QA		REV 3
APPLICATION				SCALE 1 : 1
			FILE NUMBER: 6010062B-R3	SHEET 2 OF 2

8 7 6 5 4 3 2 1