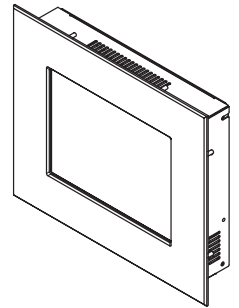
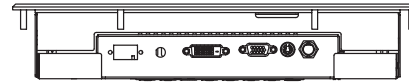
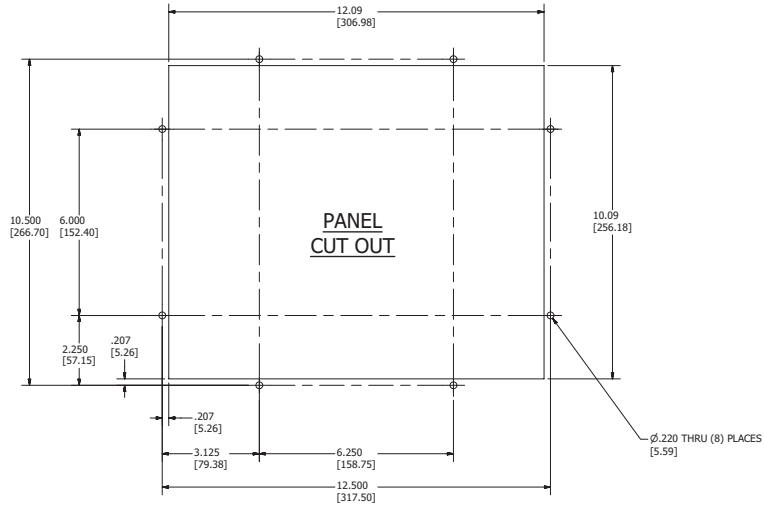
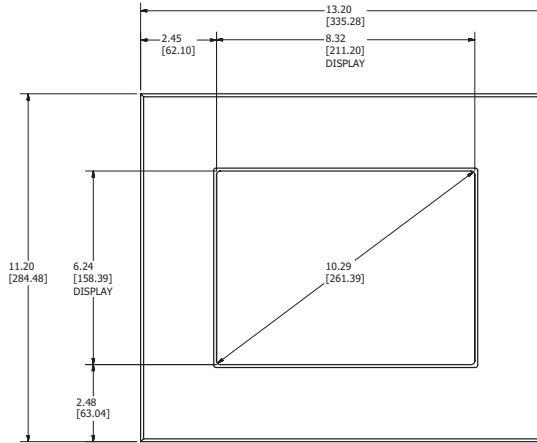
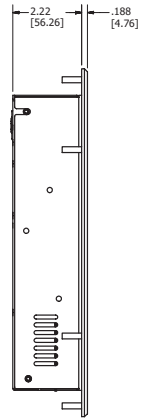
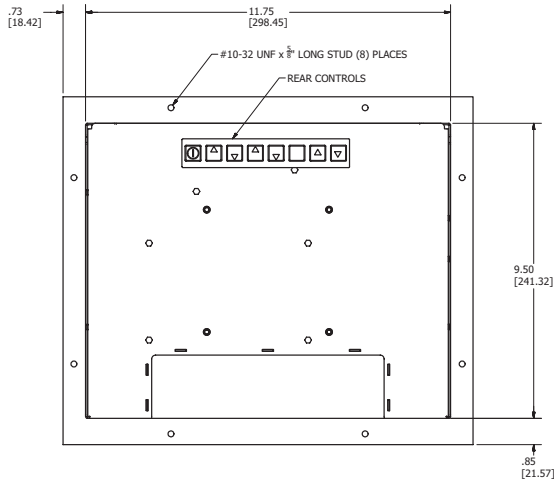


NOTES:

1. ALL DIMENSIONS ARE NOMINAL AND FOR REFERENCE ONLY
2. WEIGHT OF UNIT IS 7.5 POUNDS
3. MOUNTING FLANGE GASKET IS 0.125" THICK



DRAWN	mcumbo	8/13/2009	VARTECH SYSTEMS		REV	00	
CHECKED					TITLE	OUTLINE DRAWING FOR VT104PSS-A & VT104PSSHB-A	SIZE
QA					TOLERANCES:	.004 - .015	
VT104PSSHB-A	MFG				.000 - .005	DWG NO	482-0046-00
VT104PSS-A	APPROVED				SCALE	1:1	SHEET 1 OF 1
USED ON							
APPLICATION							