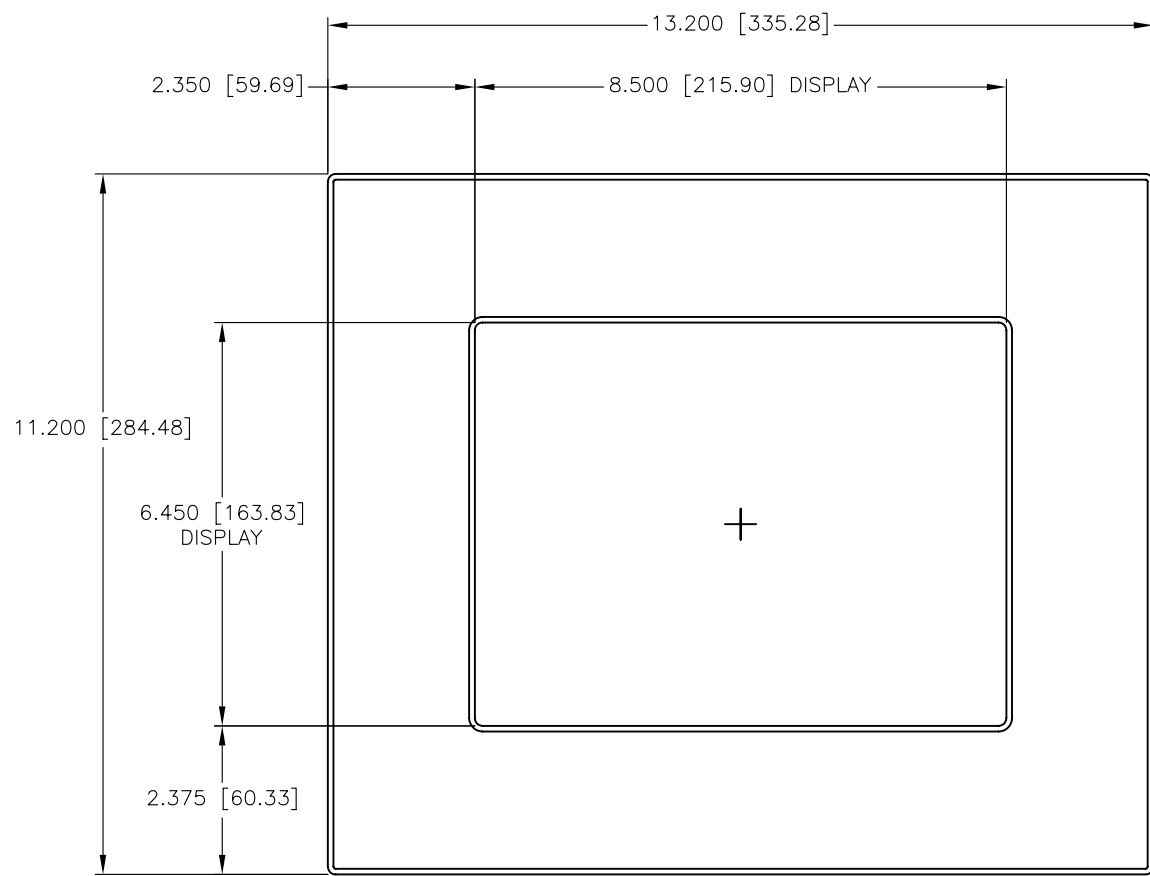
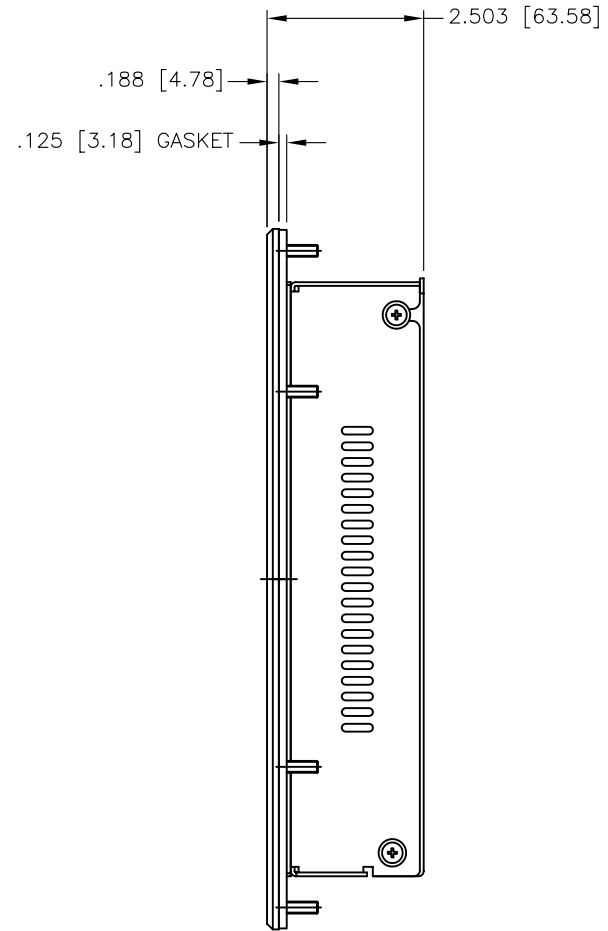


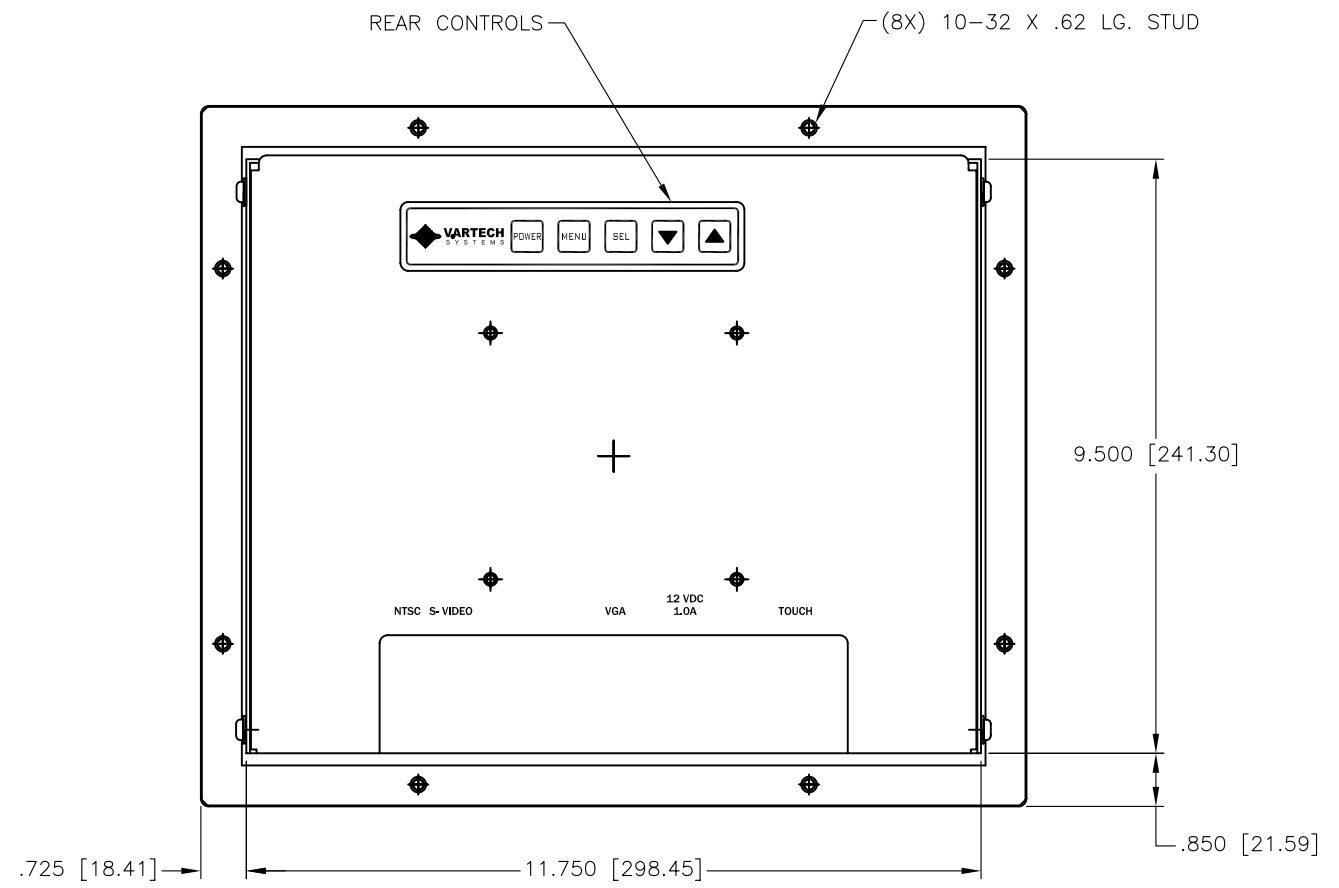
CHANGE HISTORY		
FILE INDEX	DESCRIPTION	APPROVAL INITIAL DATE
1	PRELIMINARY RELEASE	



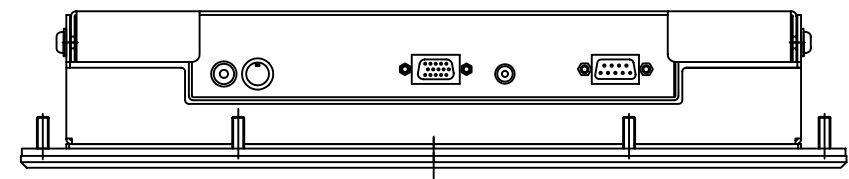
FRONT VIEW



SIDE VIEW



REAR VIEW



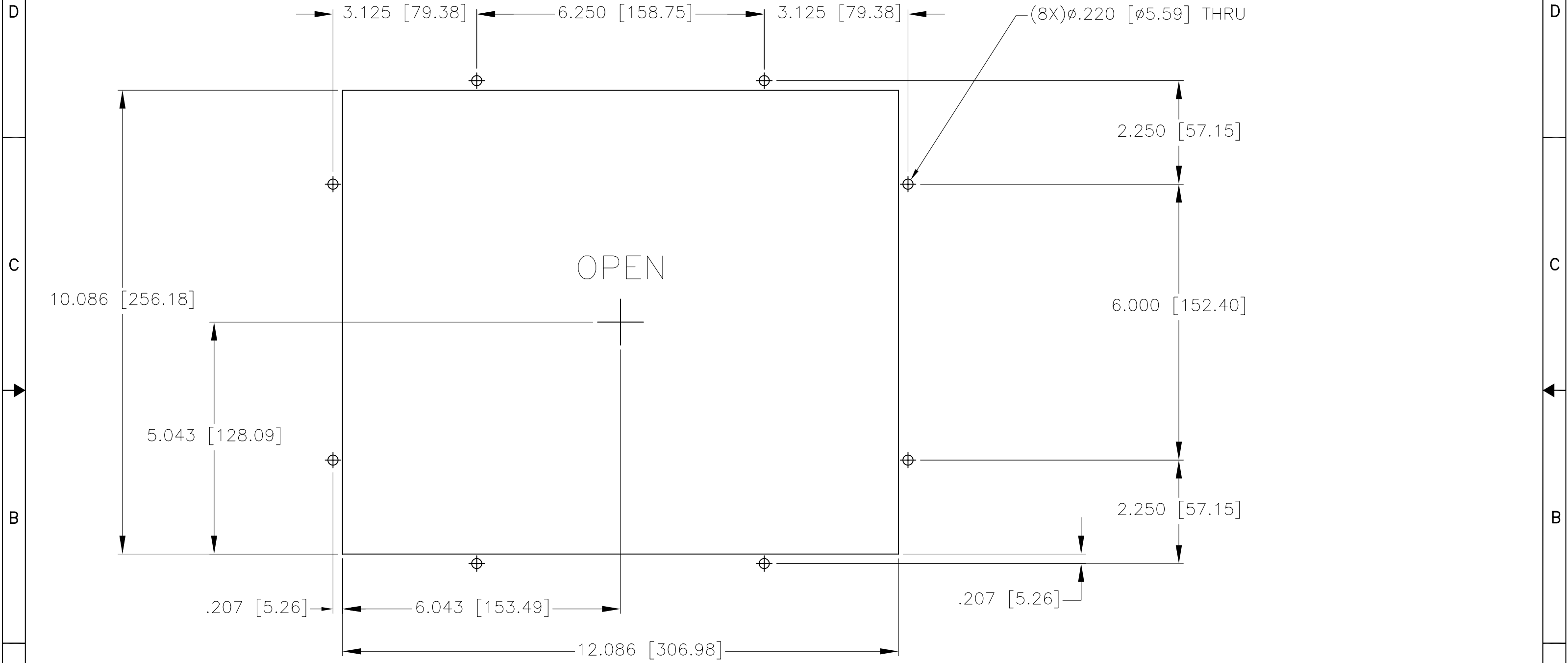
CONNECTOR VIEW

- NOTES:
1. ALL DIMENSIONS ARE NOMINAL AND FOR REFERENCE ONLY. THIS DRAWING SHOULD NOT BE USE FOR DESIGN PURPOSES.
 2. WEIGHT OF UNIT IS 5 LBS.
 3. SHIPPING WEIGHT OF UNIT IS 9 LBS.
 4. SEE SHEET 2 FOR PANEL CUTOUT DETAILS.

ITEM	QTY	MFR. PT.NO.	DESCRIPTION	SYM/NOTE
LIST OF MATERIALS				
UNLESS OTHERWISE SPECIFIED DIMENSIONS ARE IN INCHES AND APPLY BEFORE FINISH SURFACE ROUGHNESS .125/ TOLERANCE ON FRACTIONS DECIMALS ANGLES ± 1/64 ±.XX=.02 ± 1/2		DRAWN RVJ	DATE 06/07/06	 VARTECH SYSTEMS OUTLINE DRAWING VT104P (SS)
		CHECKED		
		DRAFTING		
		ENGINEER		
MATERIAL		MANUF		
VT104P (SS)		APPROVED		
FINISH		QA		
USED ON				
APPLICATION				
SCALE 1 : 1.5			DWG NO. 601-0224	REV 1
FILE NUMBER: 6010224A-R1			SHEET 1 OF 2	

8 7 6 5 4 3 2 1

CHANGE HISTORY		
FILE INDEX	DESCRIPTION	APPROVAL INITIAL DATE
1		



PANEL CUTOUT

ITEM	QTY	MFR. PT.NO.	DESCRIPTION	SYM/NOTE
LIST OF MATERIALS				
UNLESS OTHERWISE SPECIFIED DIMENSIONS ARE IN INCHES AND APPLY BEFORE FINISH SURFACE ROUGHNESS .125/ TOLERANCE ON		DRAWN	DATE	 VARTECH SYSTEMS OUTLINE DRAWING VT104P (SS)
FRACTIONS DECIMALS ANGLES		CHECKED	06/07/06	
$\pm \frac{1}{64}$ $\pm .XX=.02$ $\pm \frac{1}{2}$		DRAFTING		
		ENGINEER		
MATERIAL		MANUF		SIZE
VT104P (SS)	FINISH	APPROVED		DWG NO.
USED ON		QA		601-0224
APPLICATION				REV
				1
SCALE 1 : 1			SHEET 2 OF 2	

8 7 6 5 4 3 2 1