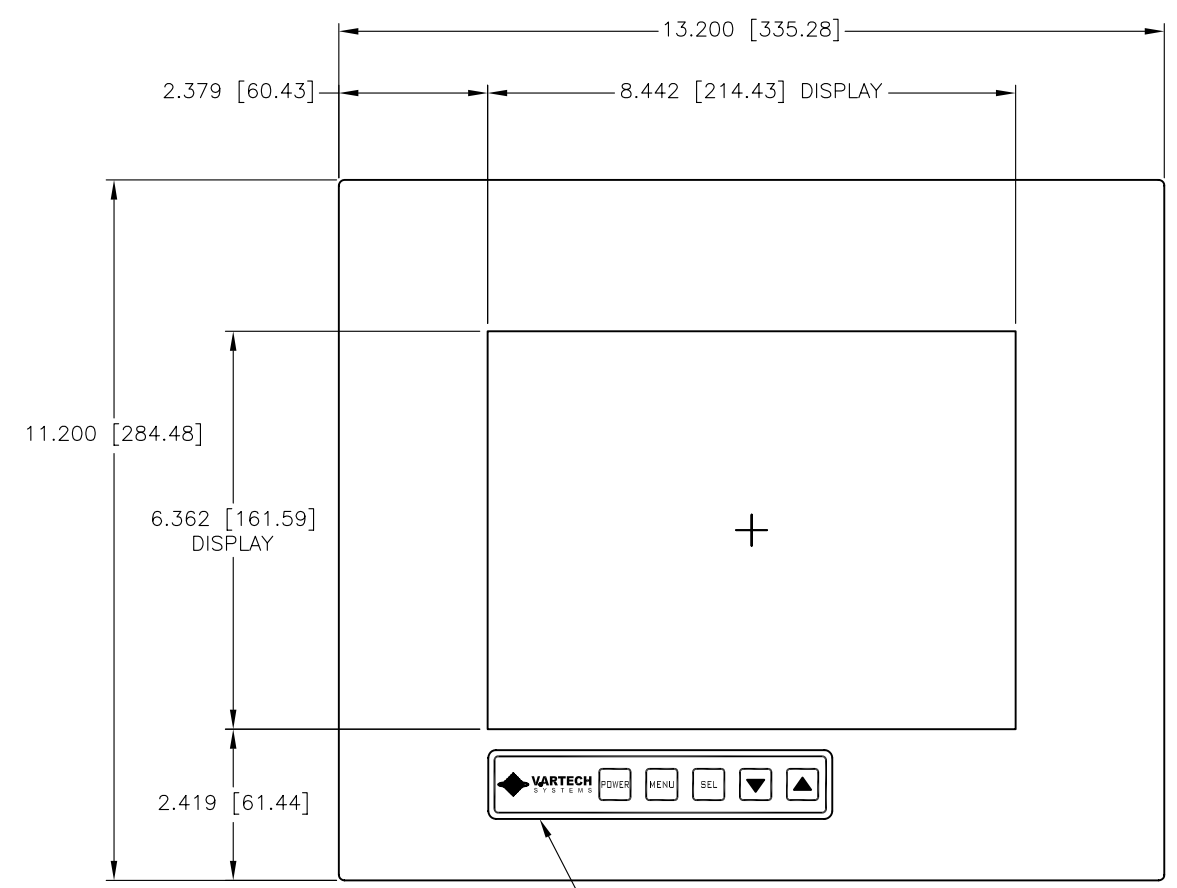
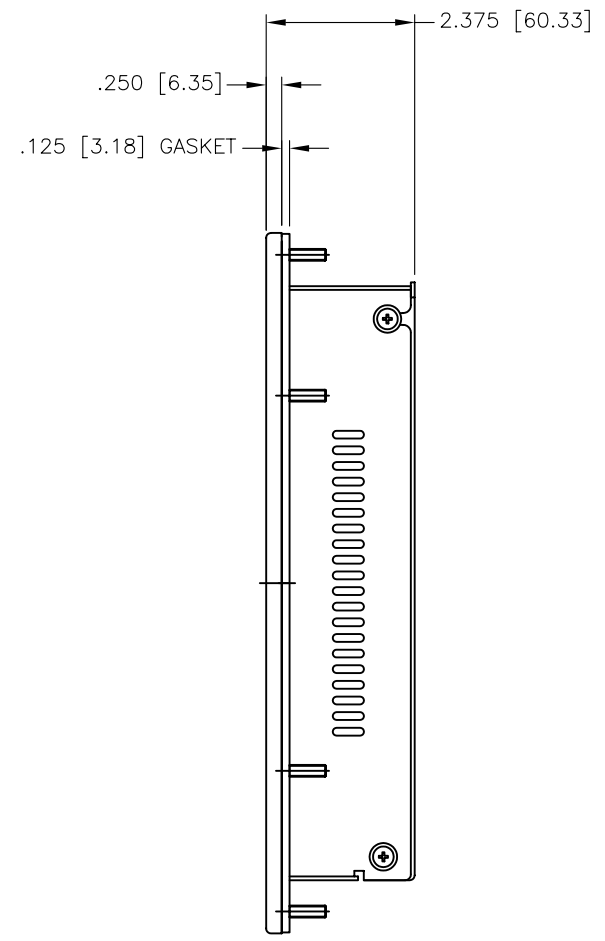


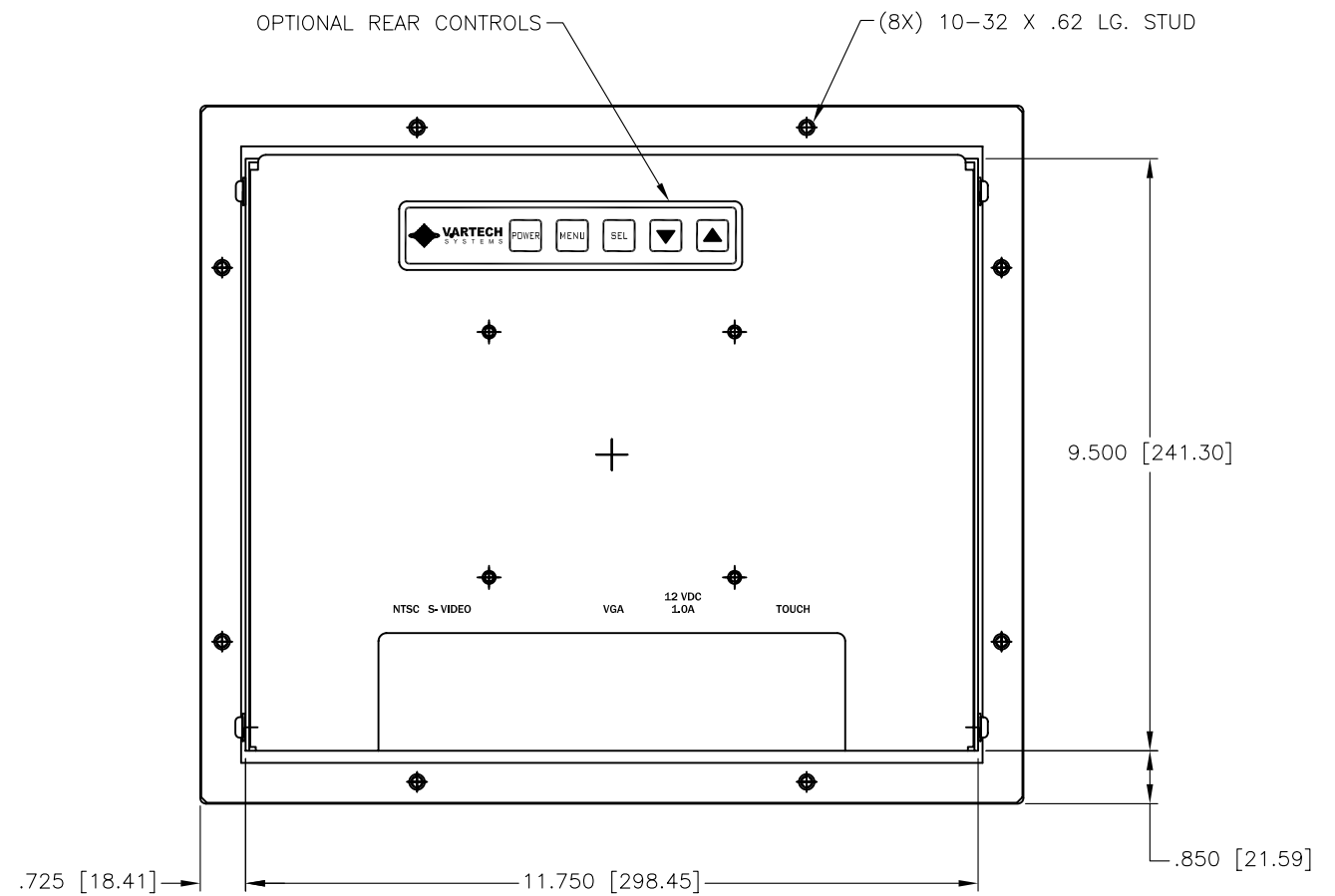
CHANGE HISTORY		
FILE INDEX	DESCRIPTION	APPROVAL INITIAL DATE
1	PRELIMINARY RELEASE	
2	REVISED PER Δ CORRECTED BOTTOM VIEW & REPLACED MEMBRANE	JHB 04/13/05
3	REVISED PER Δ CHANGED REAR COVER & ADDED SILKSCREEN	JHB 05/06/05



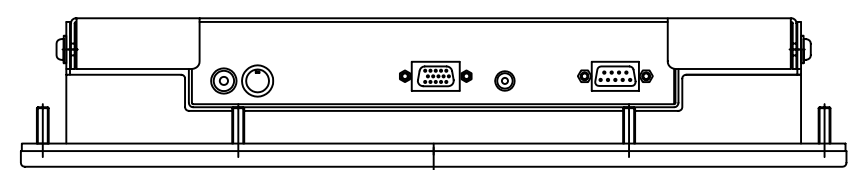
FRONT VIEW



SIDE VIEW



REAR VIEW



CONNECTOR VIEW

- NOTES:
1. ALL DIMENSIONS ARE NOMINAL AND FOR REFERENCE ONLY. THIS DRAWING SHOULD NOT BE USE FOR DESIGN PURPOSES.
 2. WEIGHT OF UNIT IS 5 LBS.
 3. SHIPPING WEIGHT OF UNIT IS 9 LBS.
 4. SEE SHEET 2 FOR PANEL CUTOUT DETAILS.

ITEM	QTY	MFR. PT.NO.	DESCRIPTION	SYM/NOTE
LIST OF MATERIALS				
UNLESS OTHERWISE SPECIFIED DIMENSIONS ARE IN INCHES AND APPLY BEFORE FINISH SURFACE ROUGHNESS .125/ TOLERANCE ON FRACTIONS DECIMALS ANGLES		DRAWN RKH	DATE 10APR03	 VARTECH SYSTEMS OUTLINE DRAWING VT104P
± 1/64 ±.XX=.02 ± 1/2		CHECKED		
MATERIAL		DRAFTING		
FINISH		ENGINEER		
VT104P		MANUF		SIZE D
USED ON		APPROVED		DWG NO. 601-0059
APPLICATION		QA		REV 3
			SCALE 1 : 1.5	SHEET 1 OF 2