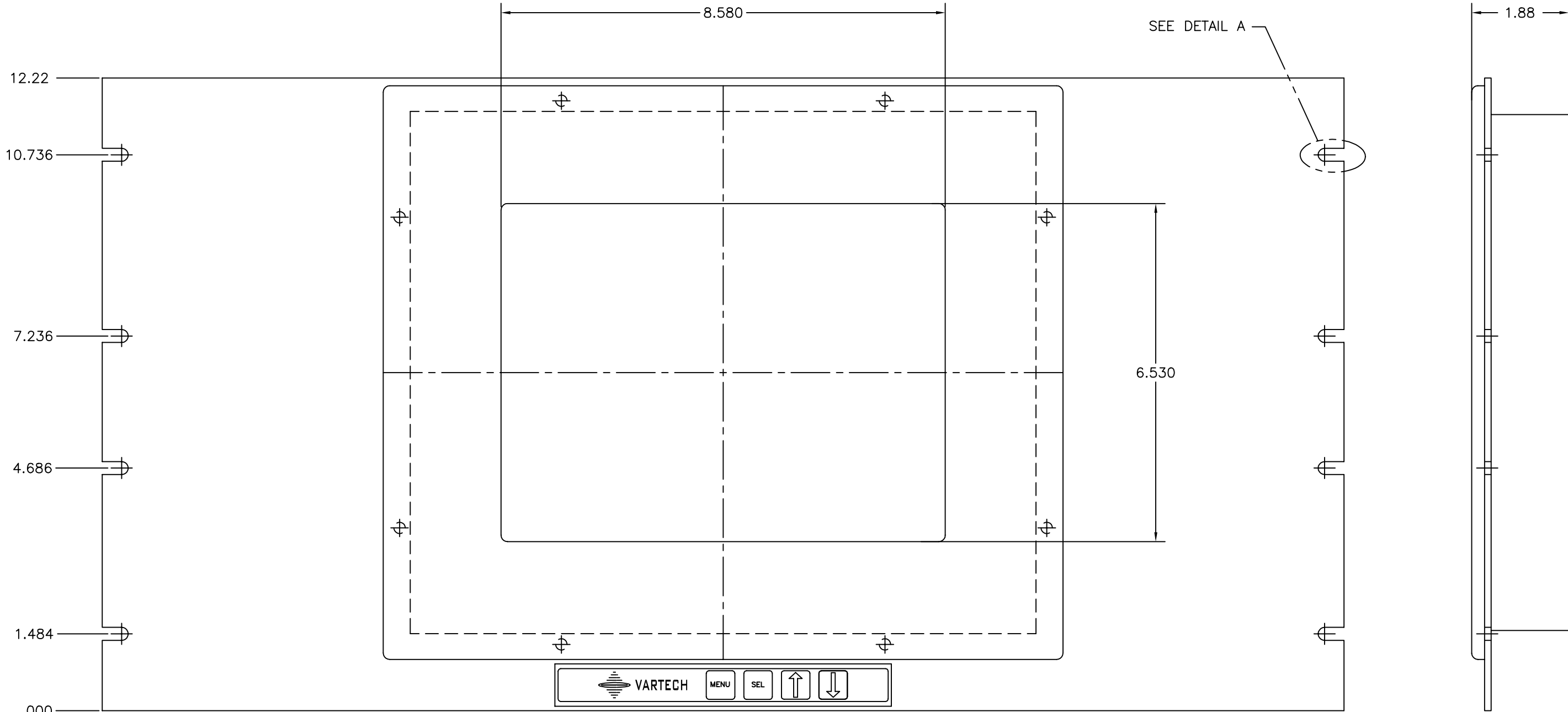
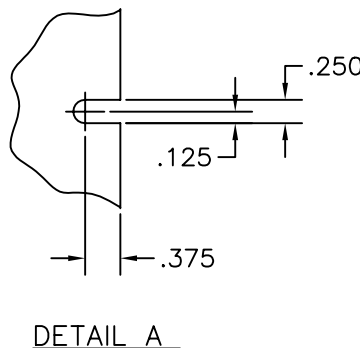


CHANGE HISTORY		APPROVAL
FILE INDEX	DESCRIPTION	INITIAL DATE
1	PRELIMINARY RELEASE	



**NOTES:**  
 1. ALL DIMENSIONS ARE NOMINAL AND FOR REFERENCE ONLY. THIS DRAWING SHOULD NOT BE USED FOR DESIGN PURPOSES.



QTY	ITEM	MFR. PT.NO.	DESCRIPTION	SYM/NOTE
LIST OF MATERIALS				
	UNLESS OTHERWISE SPECIFIED DIMENSIONS ARE IN INCHES AND APPLY BEFORE FINISH SURFACE ROUGHNESS .125/ TOLERANCE ON FRACTIONS DECIMALS ANGLES ± 1/64 ± .XX=.02 ± 1/2 ± .XXX=.005	DRAWN RKH	DATE 9DEC02	VARETECH SYSTEMS INC.
		CHECKED		
		DRAFTING		OUTLINE DRAWING VT104R24
		ENGINEER		
	MATERIAL	MANUF		SIZE D
	FINISH	APPROVED		DWG NO. 601-0041
	APPLICATION	QA		REV 1
				SCALE 1 : 1
				SHEET 1 OF 1