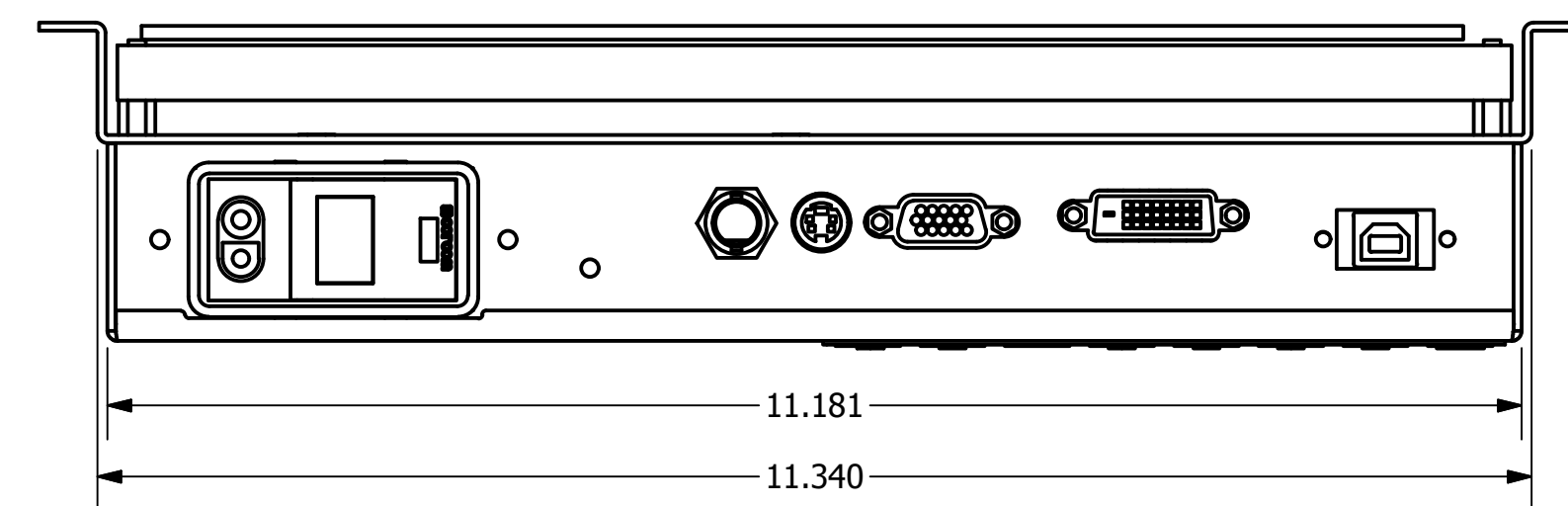
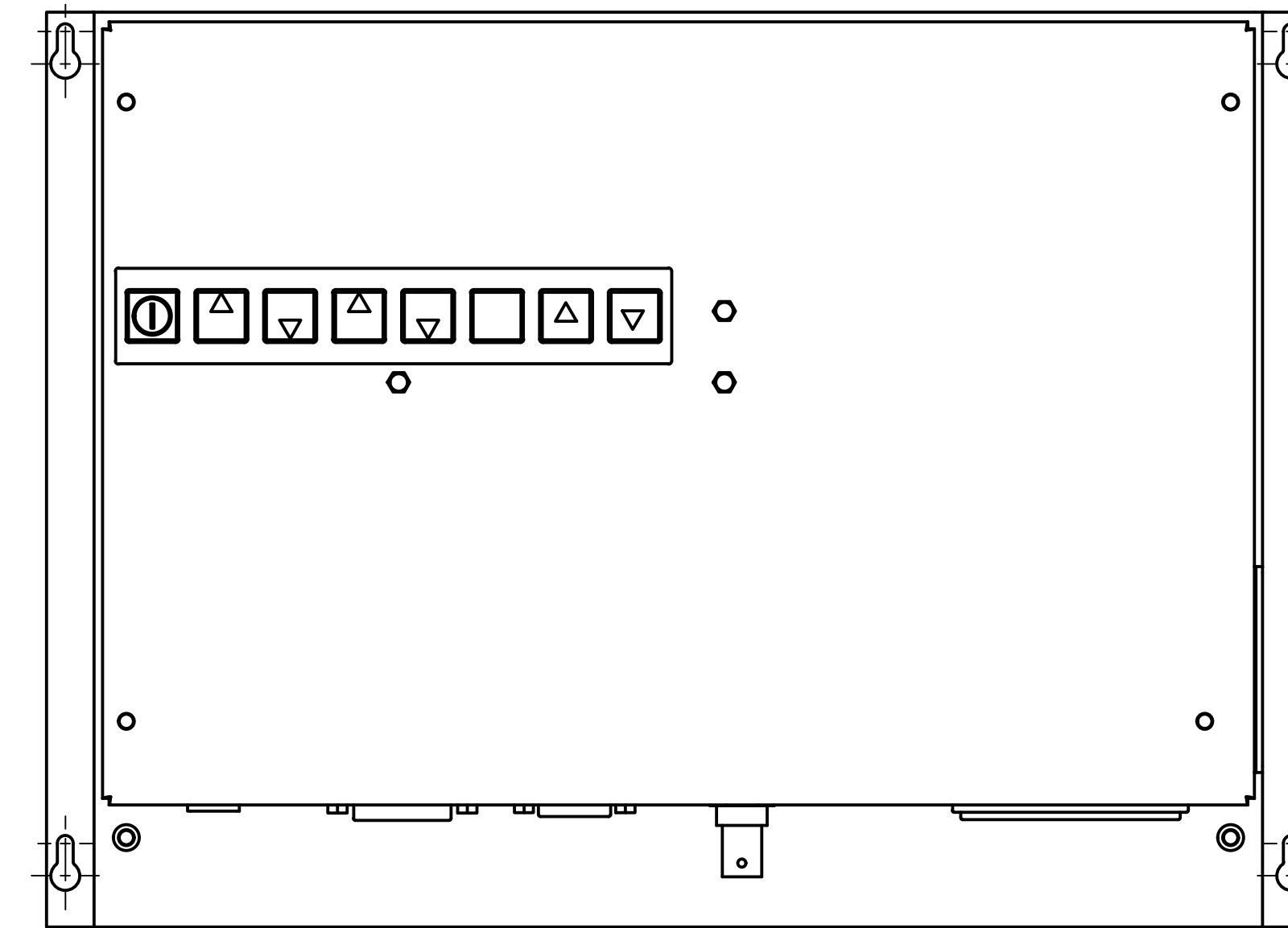
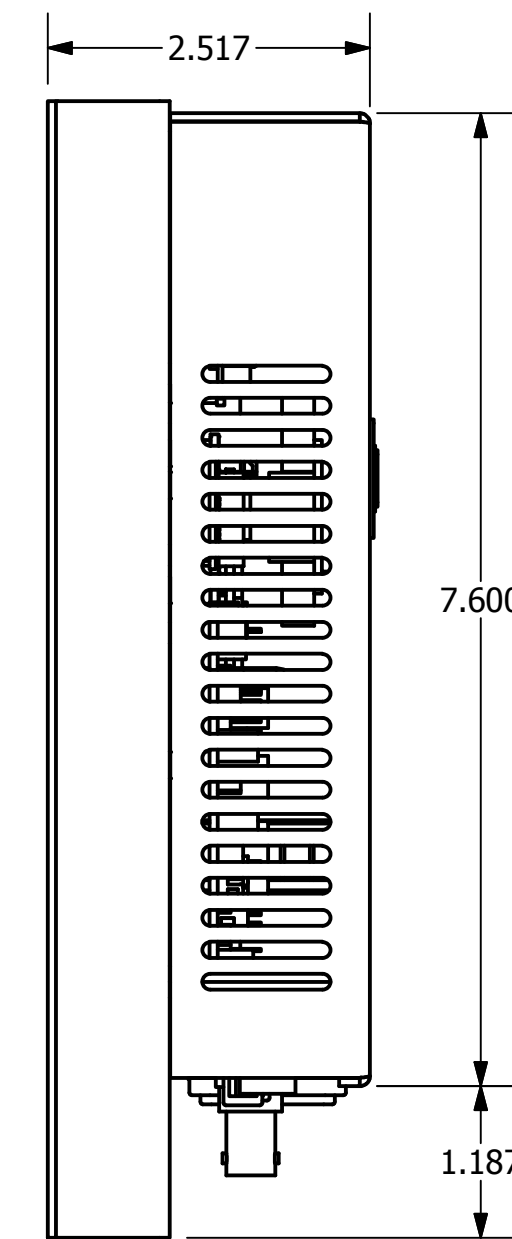
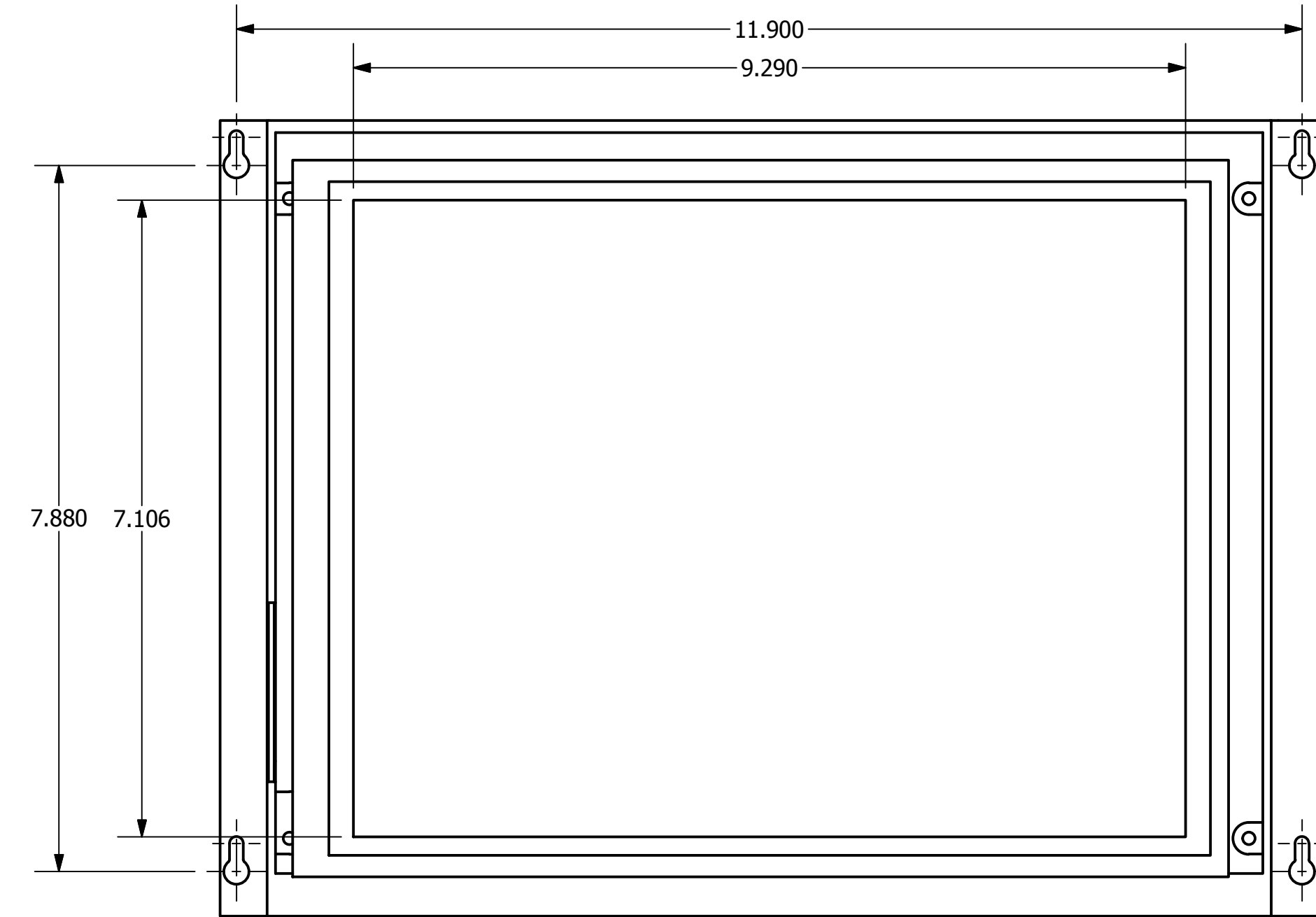



REVISION HISTORY			
REV	DESCRIPTION	APPROVED	DATE
1	INITIAL RELEASE	JAC	1/12/2012



DRAWN	ACARLTON	1/20/2010	 VARTECH SYSTEMS			
CHECKED						
QA			TITLE			
MFG			OUTLINE DRAWING, VT121C2 /CHB2			
APPROVED			SIZE	TOLERANCES:	DWG NO	REV
USED ON	MATERIAL:		D	.XX = .01 .XXX = .005	VT121C2	1
APPLICATION			FINISH:			SHEET 1 OF 1