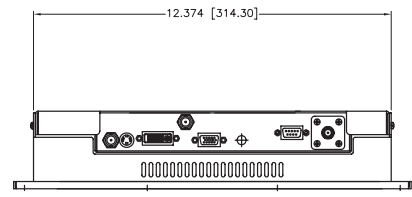
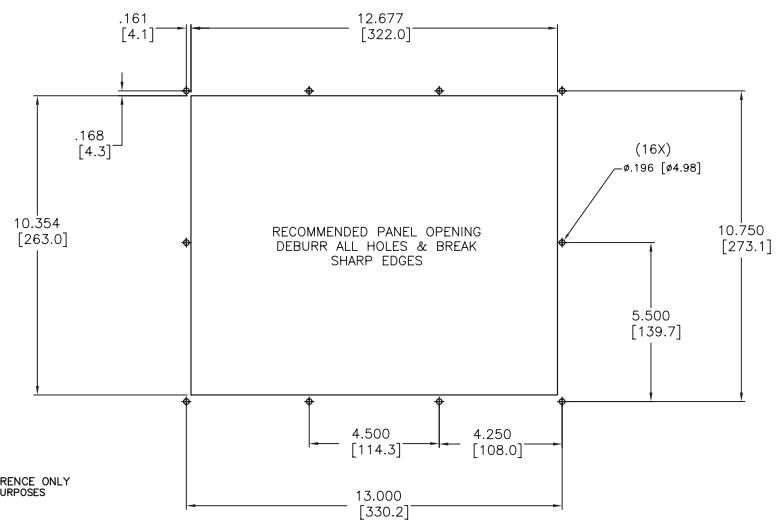
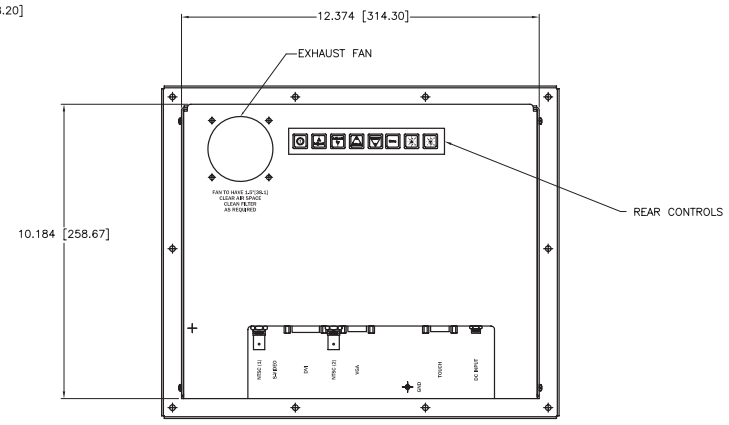
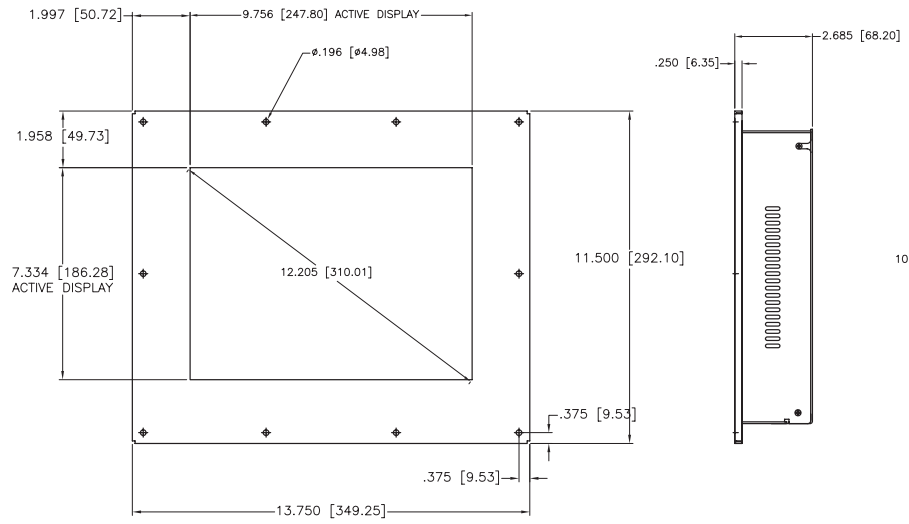


CHANGE HISTORY		
FILE INDEX	DESCRIPTION	APPROVAL INITIAL DATE



- NOTES:
1. ALL DIMENSIONS ARE NOMINAL AND FOR REFERENCE ONLY THIS DRAWING SHOULD NOT BE USED FOR DESIGN PURPOSES
  2. WEIGHT OF UNIT IS ?? LBS
  3. SHIPPING WEIGHT OF UNIT IS ?? LBS

ITEM	QTY	MFR. PT.NO.	DESCRIPTION	SYM/NOTE
LIST OF MATERIALS				
UNLESS OTHERWISE SPECIFIED DIMENSIONS ARE IN INCHES AND APPLY BEFORE FINISH SURFACE ROUGHNESS .125/ TOLERANCE ON FRACTIONS   DECIMALS   ANGLES		DRAWN N MATER	DATE 7/1/09	 <b>VARTECH SYSTEMS</b> OUTLINE DRAWING VT121CHBU
± 1/64 ± .XX= .02 ± 1/2 ± .XXX= .005		CHECKED		
MATERIAL		DRAFTING		
FINISH		ENGINEER		
VT121CHBX		MANUF		
USED ON		APPROVED		
APPLICATION		QA		
SCALE 1:1		SIZE D	DWG NO. 601-0254	REV 1
FILE NUMBER: 6010254-R1			SHEET 1	OF 1