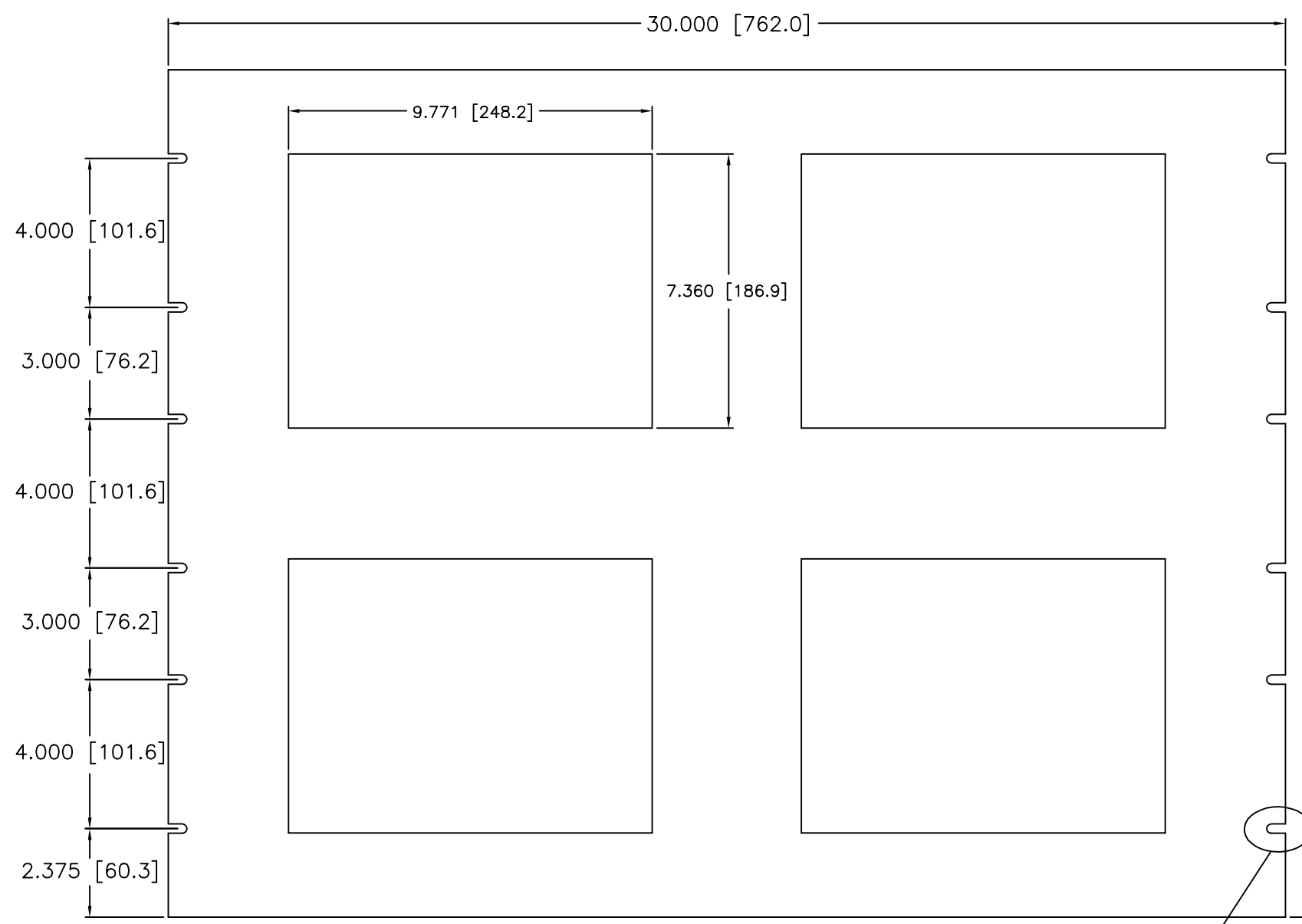
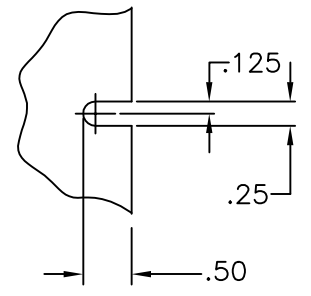
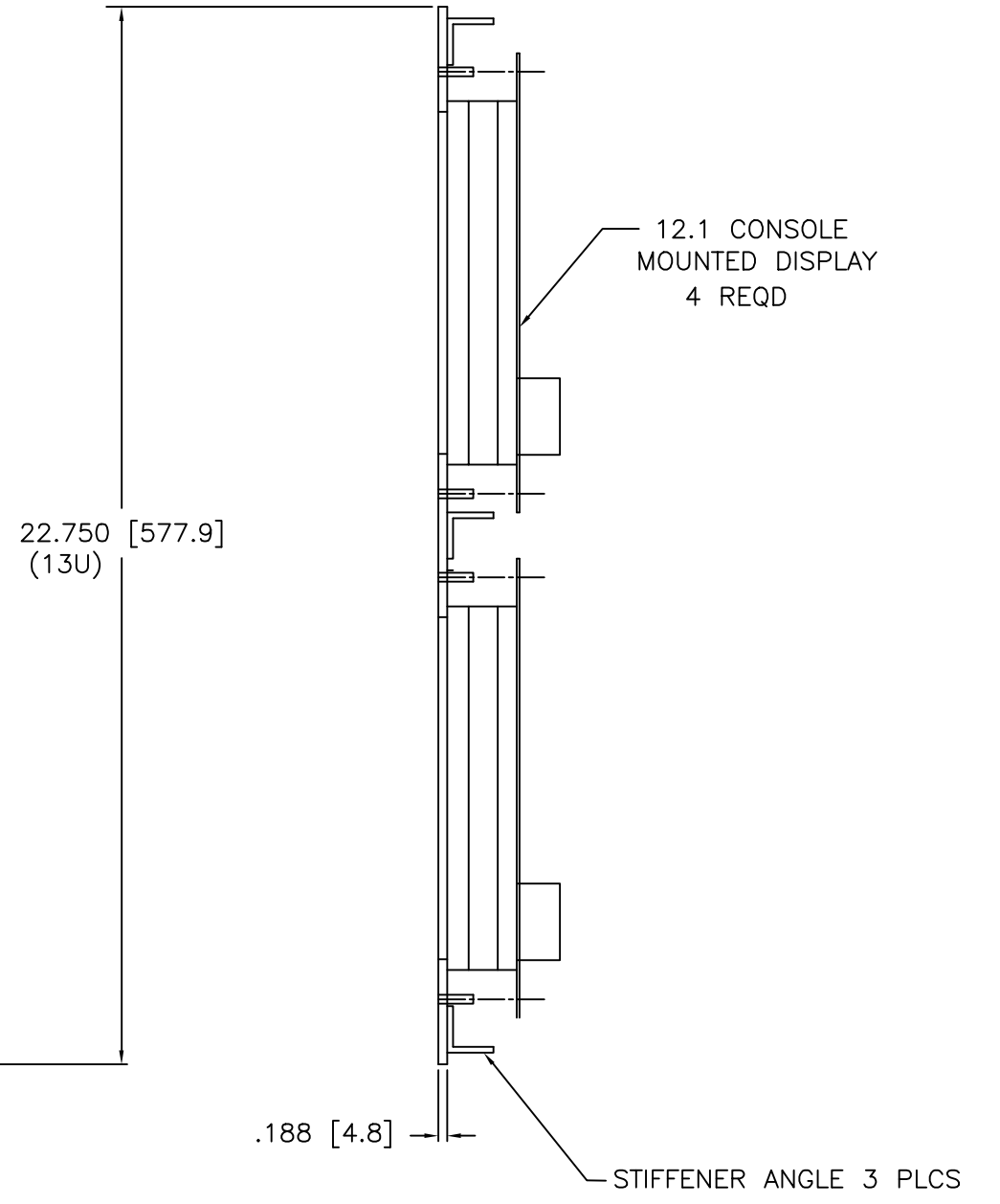


CHANGE HISTORY		
FILE INDEX	DESCRIPTION	APPROVAL INITIAL DATE
1	PRELIMINARY RELEASE	



FRONT VIEW 12.1 QUAD DISPLAYS

SEE DETAIL A



DETAIL A
SCALE 2/1

QTY	ITEM	MFR. PT.NO.	DESCRIPTION	SYM/NOTE
LIST OF MATERIALS				
	UNLESS OTHERWISE SPECIFIED DIMENSIONS ARE IN INCHES AND APPLY BEFORE FINISH SURFACE ROUGHNESS .125/ TOLERANCE ON FRACTIONS DECIMALS ANGLES ± 1/64 ± .XX=.02 ± 1/2 ± .XXX=.005	DRAWN RKH	DATE 21AUG02	VARTECH SYSTEMS INC. PANEL, QUAD-12.1 SPECIAL
		CHECKED		
		DRAFTING		
		ENGINEER		
	MATERIAL	MANUF		
	FINISH	APPROVED		
	USED ON	QA		
	APPLICATION			
		SIZE D	DWG NO. 601-0030	REV 1
		SCALE 1 : 2.5	SHEET 1 OF 1	