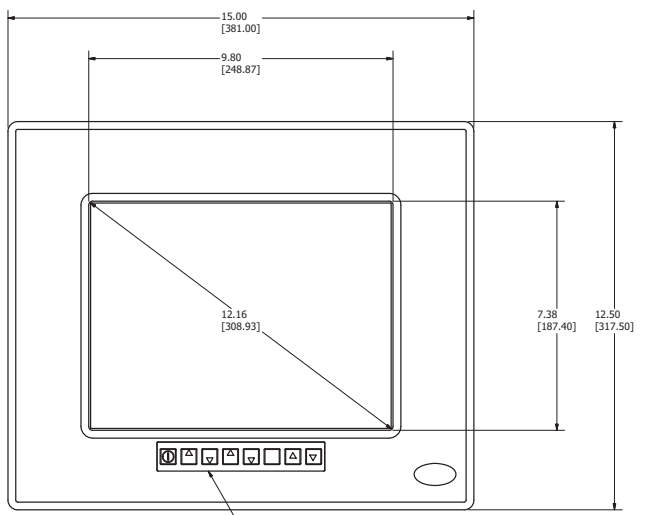
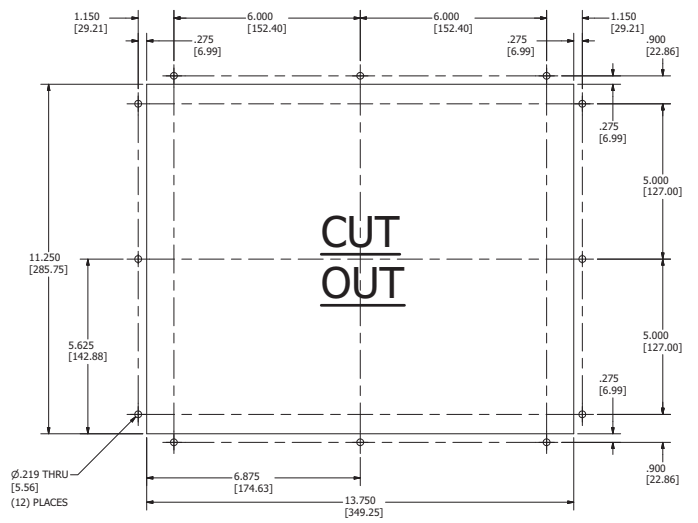
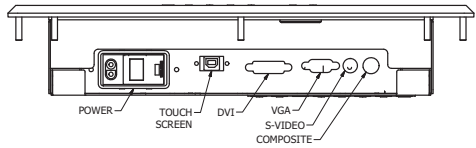
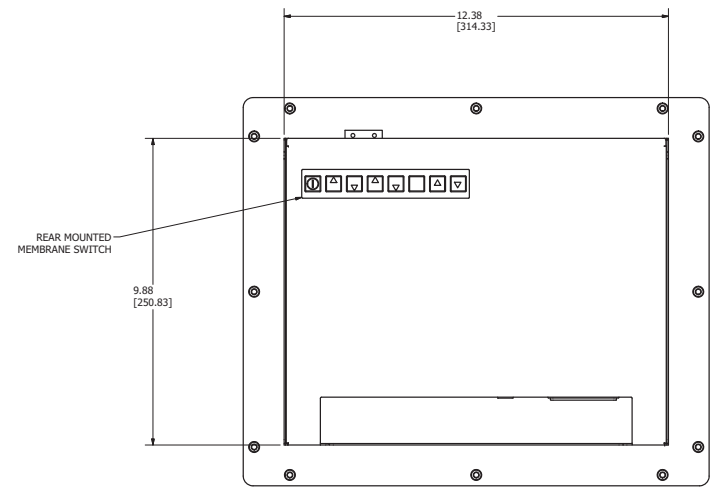
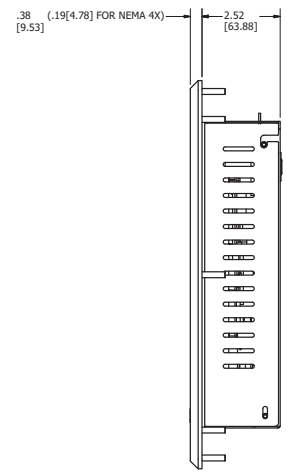


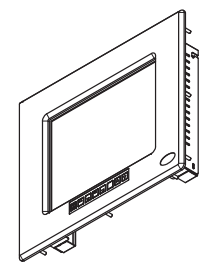
ZONE		REV		DESCRIPTION	DATE	APPROVED
1		1		INITIAL RELEASE	12/30/2009	MLC



OPTIONAL FRONT MOUNTED MEMBRANE SWITCH (NEMA 4 ONLY)



PANEL CUTOUT PATTERN



VT121PSSH-B-2	DRAWN mcmbo	12/30/2009	<p><b>VARTECH SYSTEMS</b></p>	TITLE	<p><b>OUTLINE DRAWING, VT121P-2, VT121PHB-2, VT121PSS-2 &amp; VT121PSSH-B-2</b></p>				
VT121PSS-2	CHECKED			SIZE					
VT121PHB-2	QA			TOLERANCES:		DWG NO	601-0342	REV	1
VT121P-2	MFG			D		300 ± .015			
USED ON	APPROVED			SCALE		1:1			
APPLICATION							SHEET 1 OF 1		