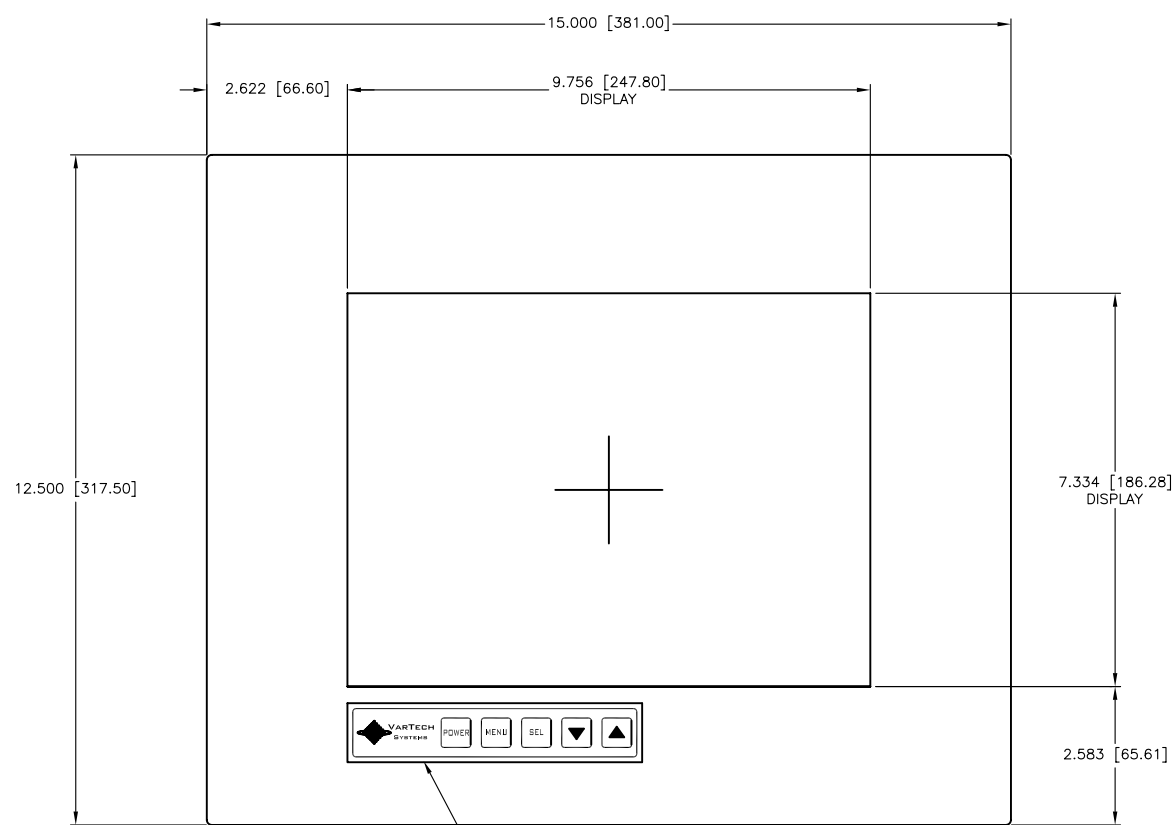
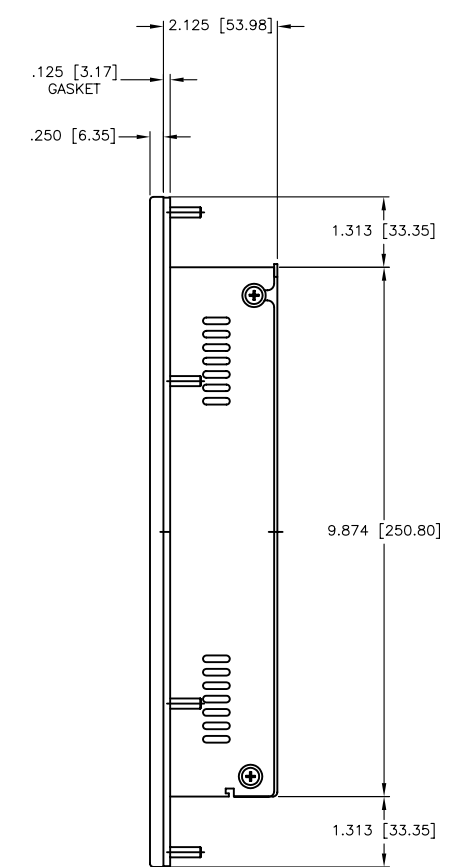


CHANGE HISTORY		
FILE INDEX	DESCRIPTION	APPROVAL INITIAL DATE
1	PRELIMINARY RELEASE	
2	REVISED PER Δ UPDATE REAR COVER, ADDED SHEET 2	JHB 04/29/05
3	REVISED PER Δ UPDATE SIDE VIEW	RVJ 12/05/07

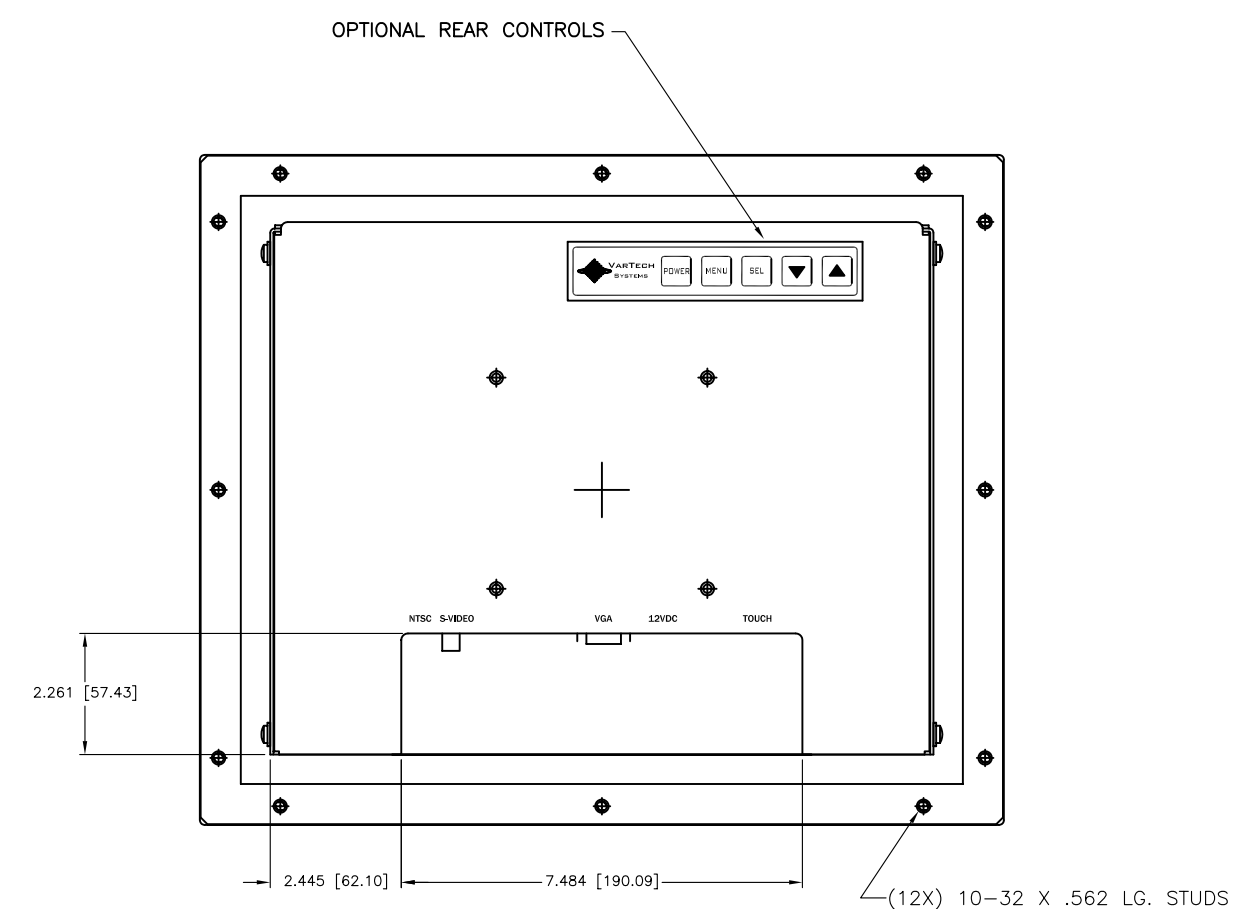


FRONT VIEW

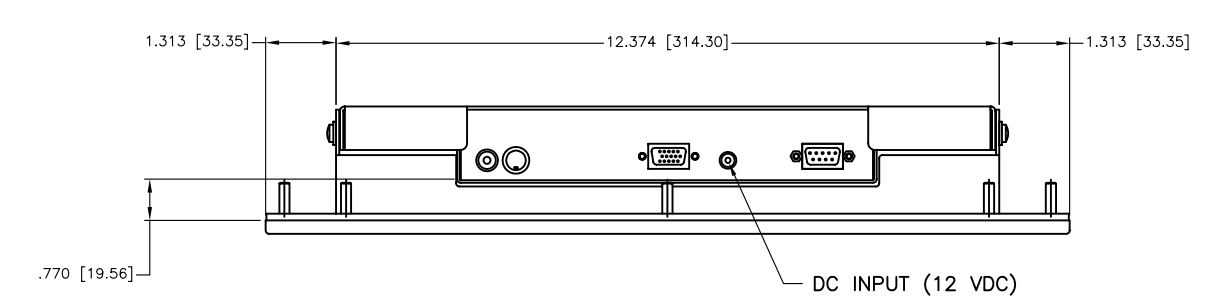
FRONT CONTROLS



SIDE VIEW



REAR VIEW



BOTTOM VIEW

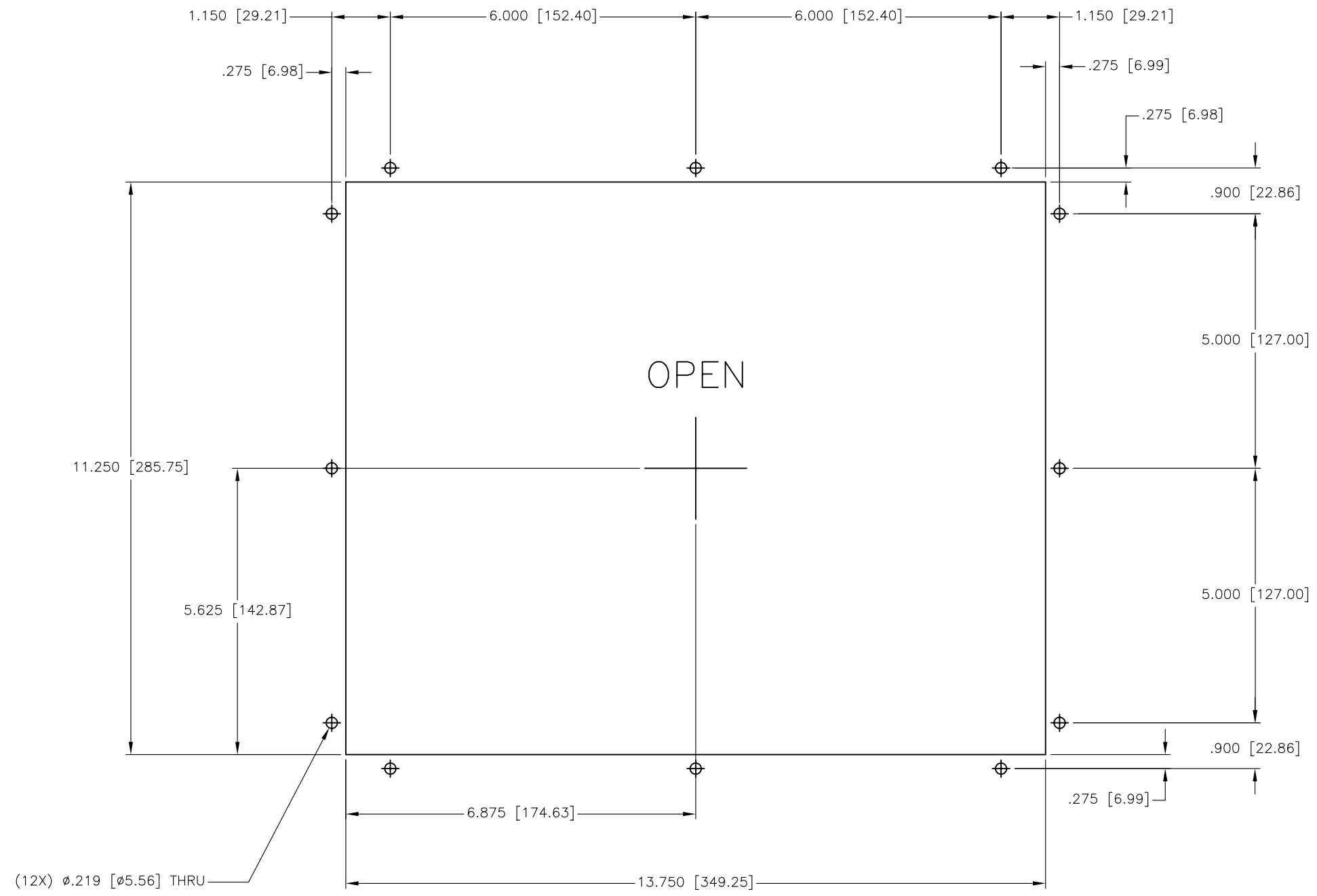
NOTES:

1. ALL DIMENSIONS ARE NOMINAL AND FOR REFERENCE ONLY. THIS DRAWING SHOULD NOT BE USED FOR DESIGN PURPOSES.
2. WEIGHT OF UNIT IS 8 LBS.
3. SHIPPING WEIGHT OF UNIT IS 14 LBS.

ITEM	QTY	MFR. PT.NO.	DESCRIPTION	SYM/NOTE
LIST OF MATERIALS				
UNLESS OTHERWISE SPECIFIED DIMENSIONS ARE IN INCHES AND APPLY BEFORE FINISH SURFACE ROUGHNESS .125/ TOLERANCE ON FRACTIONS DECIMALS ANGLES $\pm \frac{1}{64}$ $\pm .XX=.02$ $\pm \frac{1}{2}$ $\pm .XXX=.005$		DRAWN RKH	DATE 13 OCT 03	 VARTECH SYSTEMS OUTLINE DRAWING DIAMONDVUE VT121PX
		CHECKED		
		DRAFTING		
		ENGINEER		
MATERIAL		MANUF		SIZE D
VT121PX		APPROVED		DWG NO. 601-0081
USED ON		QA		REV 3
APPLICATION				SCALE 1 : 1.75
				SHEET 1 OF 2

8 7 6 5 4 3 2 1

CHANGE HISTORY		
FILE INDEX	DESCRIPTION	APPROVAL INITIAL DATE
3		



PANEL CUTOUT PATTERN

ITEM	QTY	MFR. PT.NO.	DESCRIPTION	SYM/NOTE
LIST OF MATERIALS				
UNLESS OTHERWISE SPECIFIED DIMENSIONS ARE IN INCHES AND APPLY BEFORE FINISH SURFACE ROUGHNESS .125/ TOLERANCE ON		DRAWN JHB	DATE 04/29/05	VARTECH SYSTEMS
FRACTIONS DECIMALS ANGLES $\pm \frac{1}{64}$ $\pm .XX=.02$ $\pm \frac{1}{2}$ $\pm .XXX=.005$		CHECKED		
MATERIAL		DRAFTING		OUTLINE DRAWING DIAMONDVUE VT121PX
FINISH		ENGINEER		
APPLICATION		MANUF		
VT121PX USED ON		APPROVED		SIZE D
		QA		DWG NO. 601-0081
				REV 3
				SCALE 1 : 1.25
				SHEET 2 OF 2

8 7 6 5 4 3 2 1