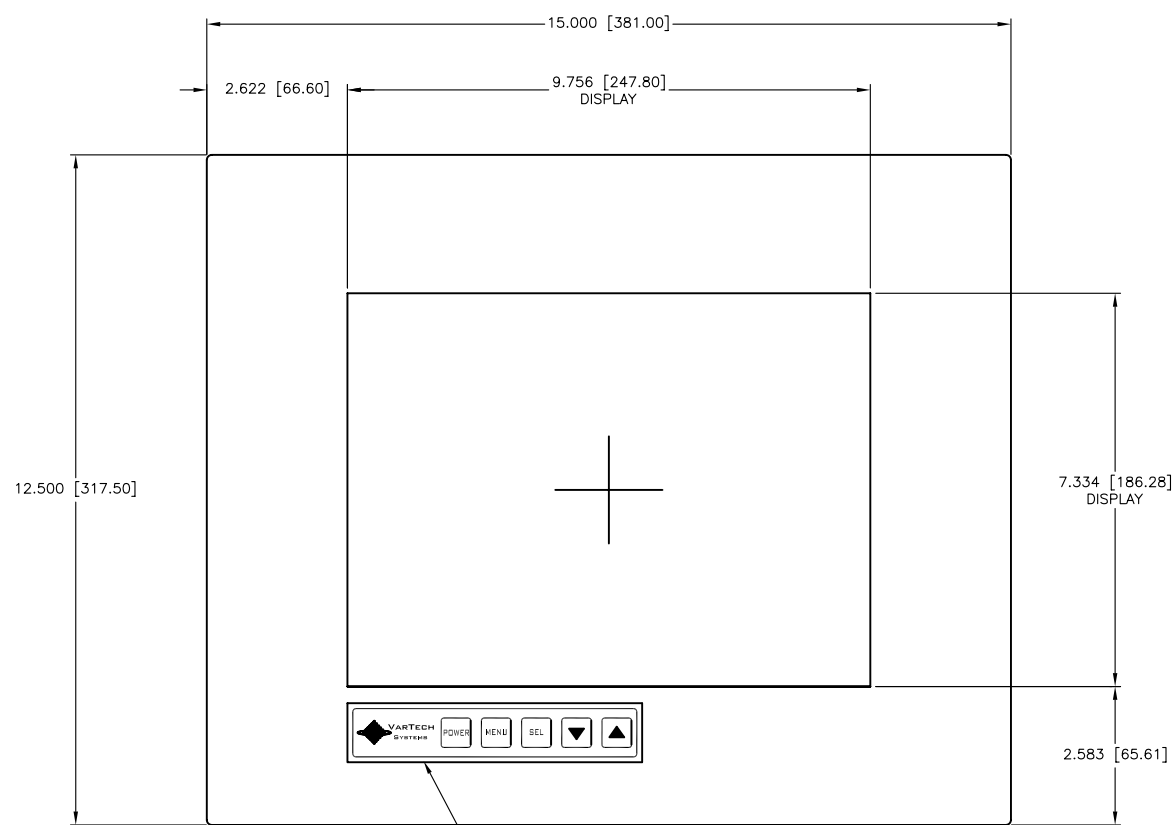
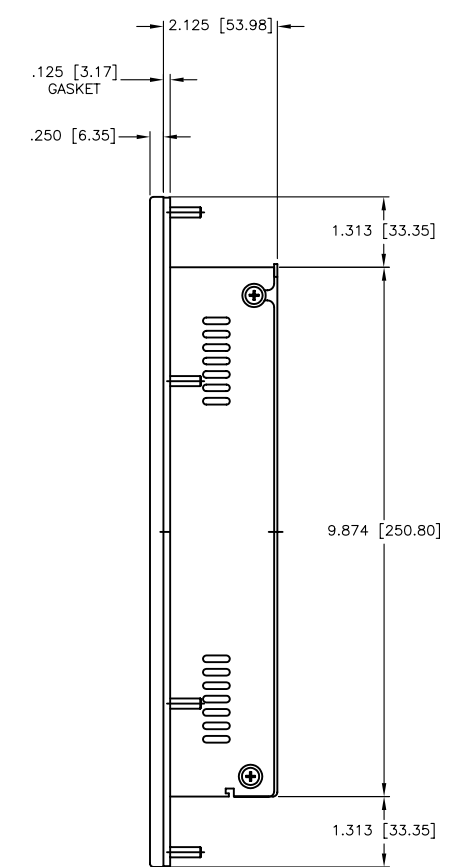


CHANGE HISTORY		
FILE INDEX	DESCRIPTION	APPROVAL INITIAL DATE
1	PRELIMINARY RELEASE	
2	REVISED PER Δ UPDATE REAR COVER, ADDED SHEET 2	JHB 04/29/05
3	REVISED PER Δ UPDATE SIDE VIEW	RVJ 12/05/07

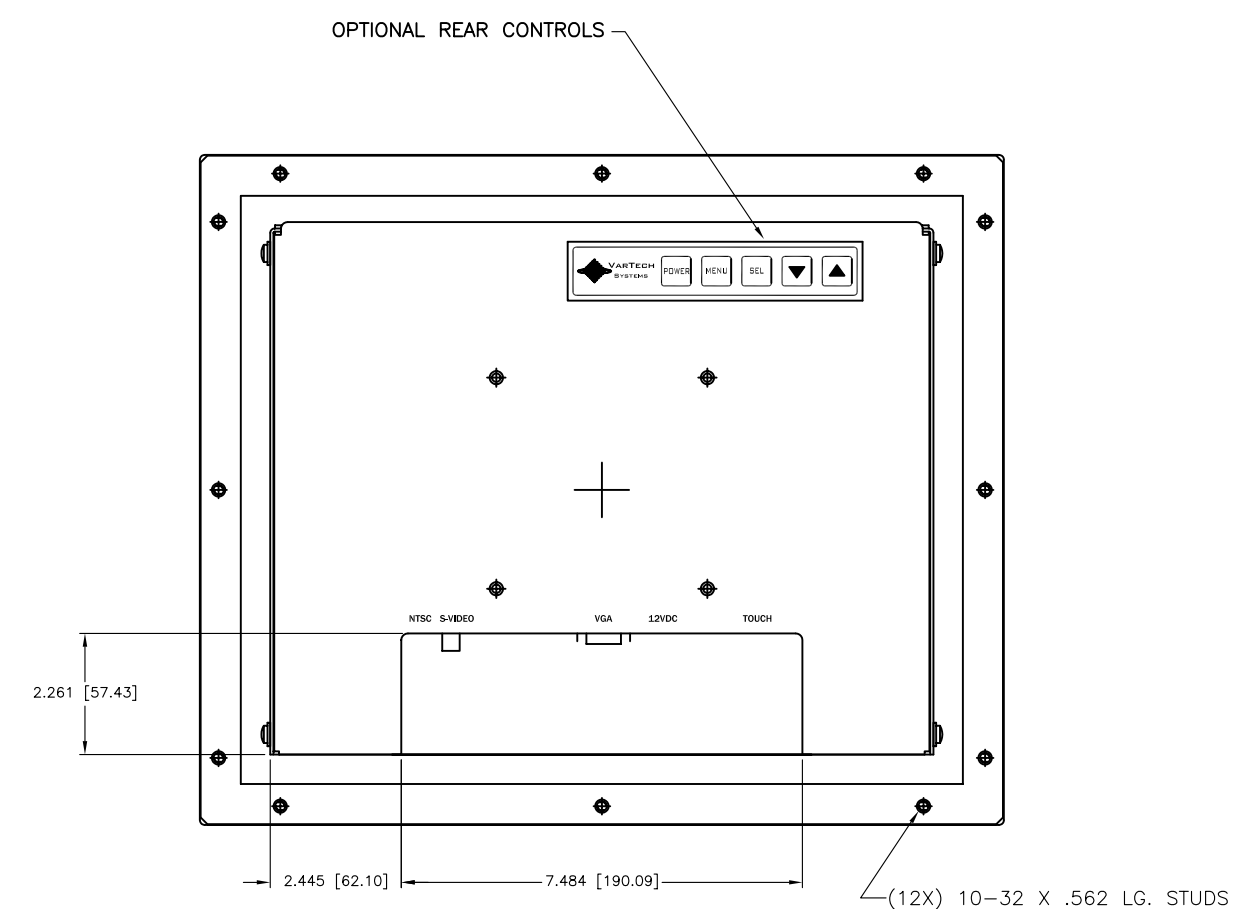


FRONT VIEW

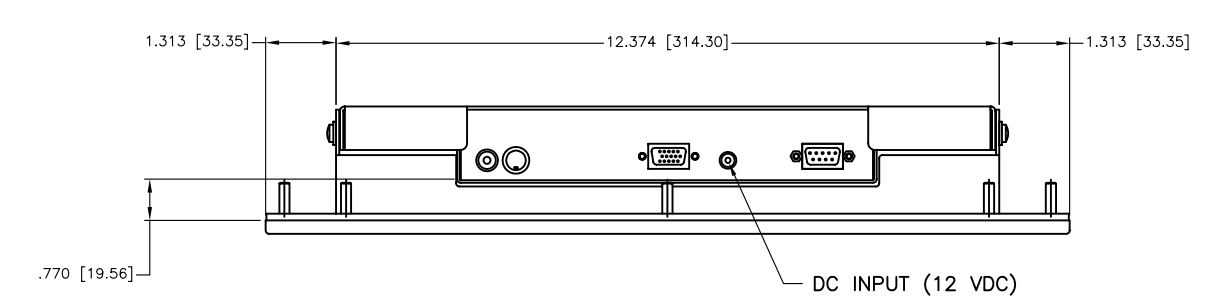
FRONT CONTROLS



SIDE VIEW



REAR VIEW



BOTTOM VIEW

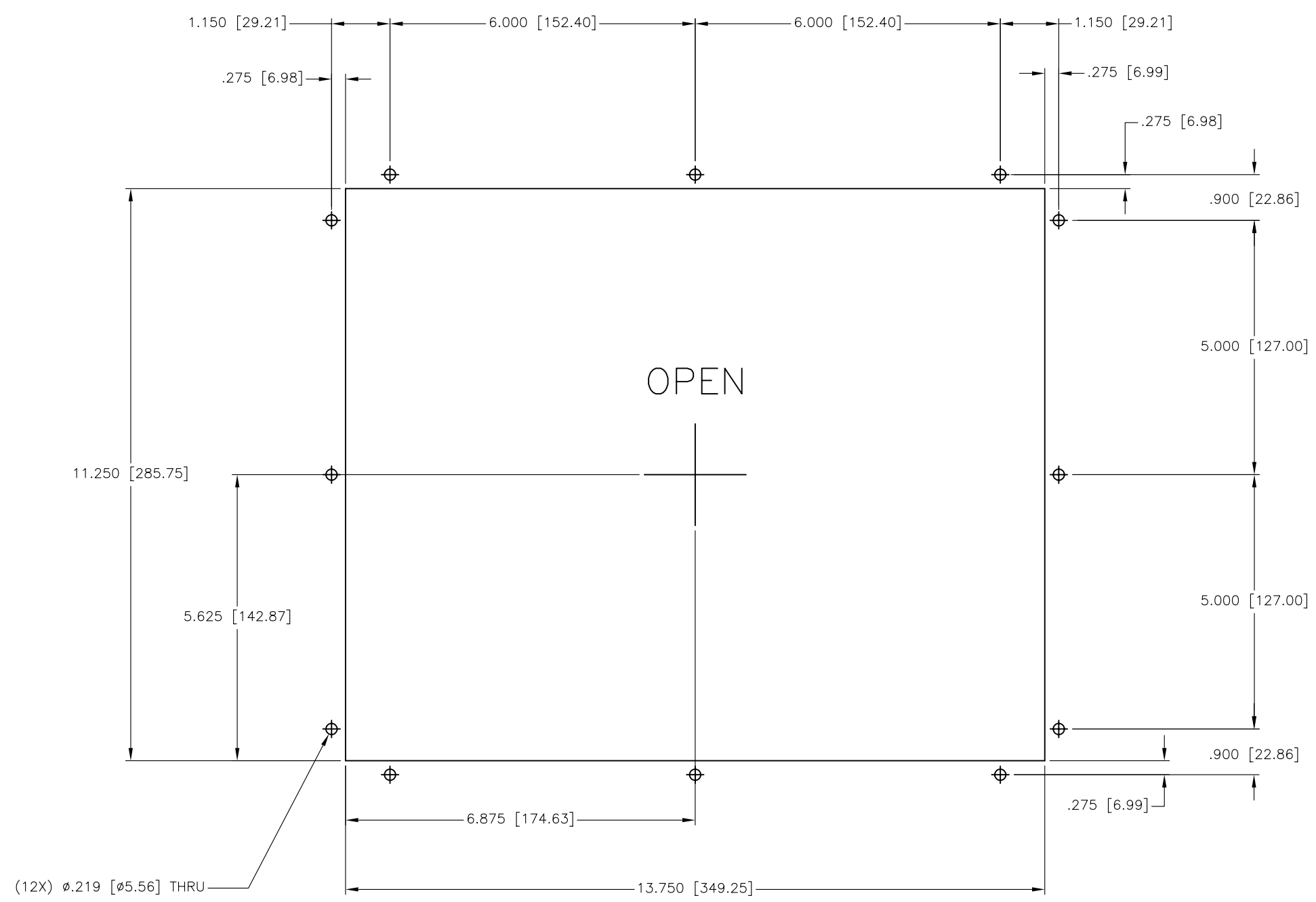
NOTES:

1. ALL DIMENSIONS ARE NOMINAL AND FOR REFERENCE ONLY. THIS DRAWING SHOULD NOT BE USED FOR DESIGN PURPOSES.
2. WEIGHT OF UNIT IS 8 LBS.
3. SHIPPING WEIGHT OF UNIT IS 14 LBS.

ITEM	QTY	MFR. PT.NO.	DESCRIPTION	SYM/NOTE
LIST OF MATERIALS				
UNLESS OTHERWISE SPECIFIED DIMENSIONS ARE IN INCHES AND APPLY BEFORE FINISH SURFACE ROUGHNESS .125/ TOLERANCE ON FRACTIONS DECIMALS ANGLES		DRAWN RKH DATE 13 OCT 03		VARTECH SYSTEMS
± 1/64 ± .XX=.02 ± 1/2		CHECKED		
MATERIAL		DRAFTING		
FINISH		ENGINEER		
VT121P		MANUF		OUTLINE DRAWING DIAMONDVUE VT121P
USED ON		APPROVED		
APPLICATION		QA		
		SIZE D		DWG NO. 601-0081
		SCALE 1 : 1.75		REV 3
		FILE NUMBER: 6010081A-R3		SHEET 1 OF 2

8 7 6 5 4 3 2 1

CHANGE HISTORY		
FILE INDEX	DESCRIPTION	APPROVAL INITIAL DATE
3		



PANEL CUTOUT PATTERN

ITEM	QTY	MFR. PT.NO.	DESCRIPTION	SYM/NOTE
LIST OF MATERIALS				
UNLESS OTHERWISE SPECIFIED DIMENSIONS ARE IN INCHES AND APPLY BEFORE FINISH SURFACE ROUGHNESS .125/ TOLERANCE ON		DRAWN JHB	DATE 04/29/05	VARTECH SYSTEMS
FRACTIONS DECIMALS ANGLES $\pm \frac{1}{64}$ $\pm .XX=.02$ $\pm \frac{1}{2}$ $\pm .XXX=.005$		CHECKED		
MATERIAL		DRAFTING		OUTLINE DRAWING DIAMONDVUE VT121P
FINISH		ENGINEER		
APPLICATION		MANUF		
VT121P USED ON		APPROVED		SIZE D
		QA		DWG NO. 601-0081
				REV 3
				SCALE 1 : 1.25
				SHEET 2 OF 2

8 7 6 5 4 3 2 1