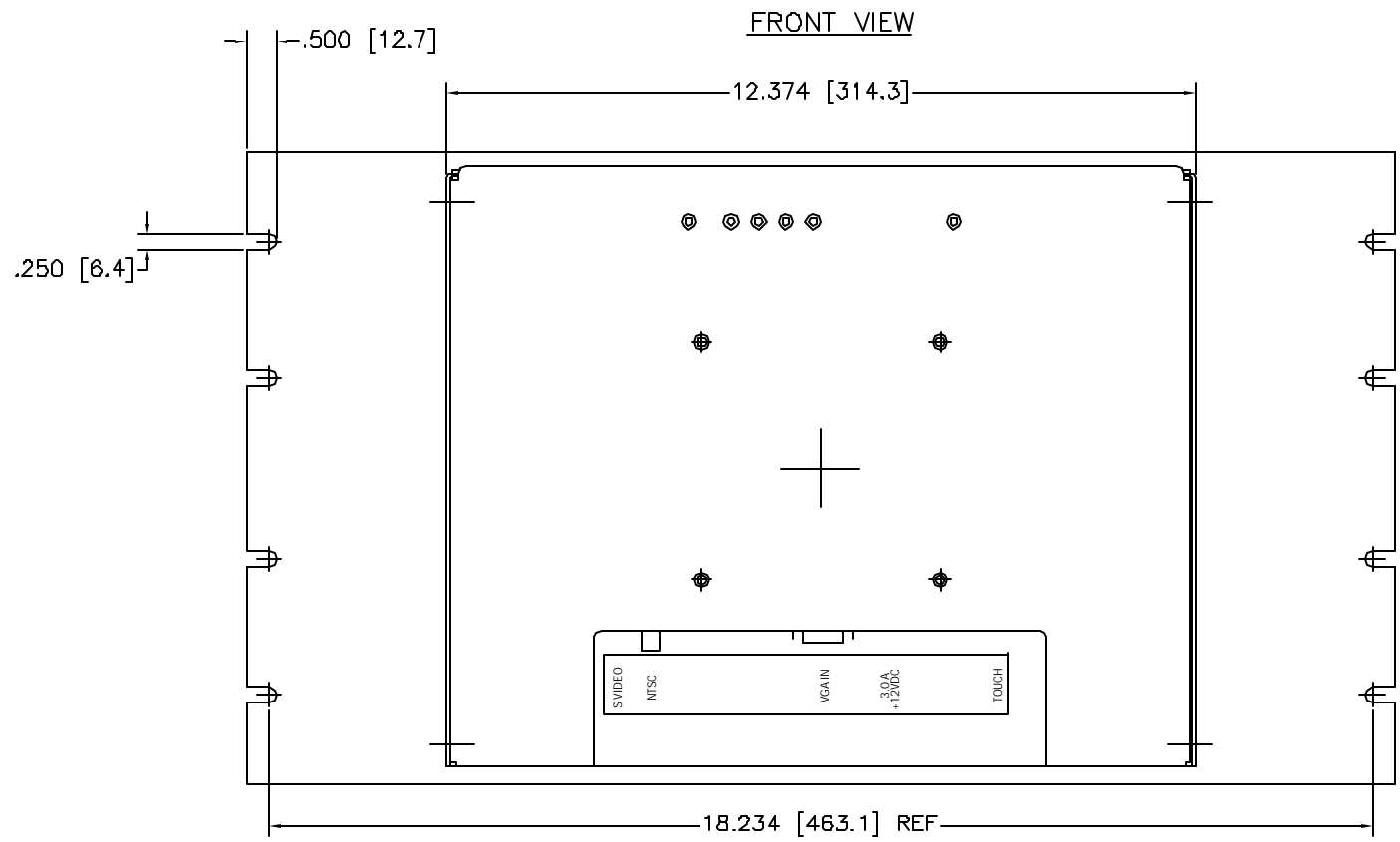
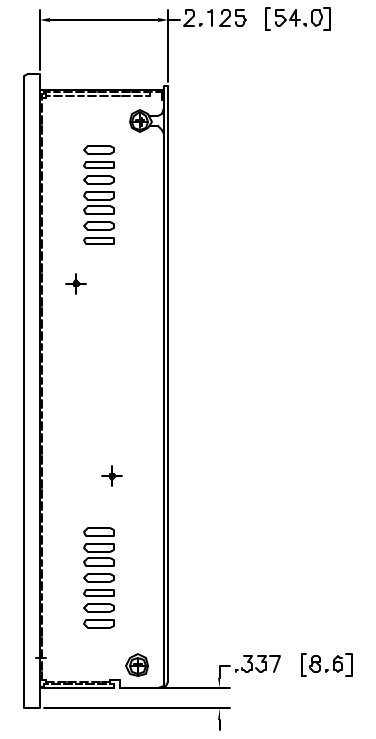
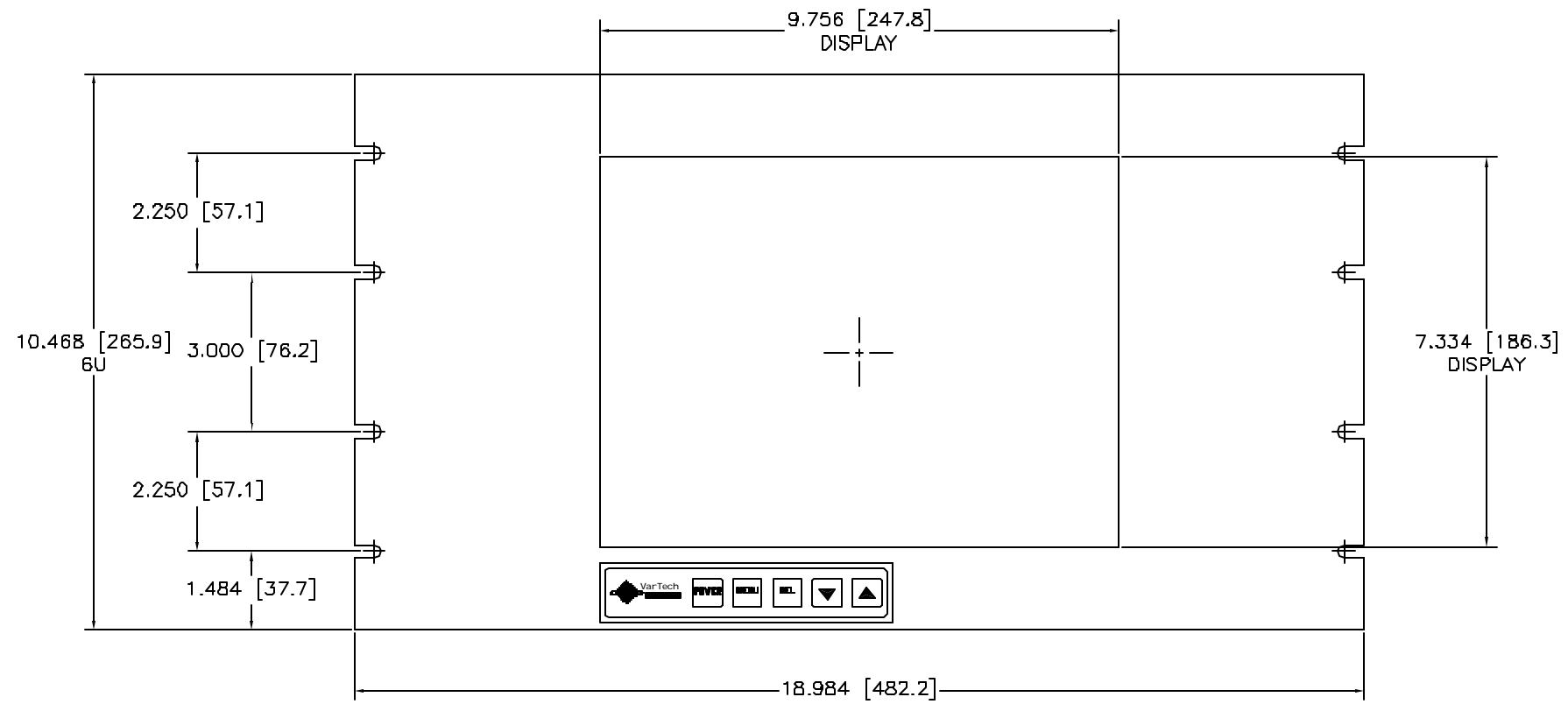


CHANGE HISTORY		
FILE INDEX	DESCRIPTION	APPROVAL INITIAL DATE
2	PRELIMINARY RELEASE	



- NOTES:
1. ALL DIMENSIONS ARE NOMINAL AND FOR REFERENCE ONLY. THIS DRAWING SHOULD NOT BE USED FOR DESIGN PURPOSES.
  2. WEIGHT OF UNIT IS XX LBS.
  3. SHIPPING WEIGHT OF UNIT IS XX LBS.

ITEM	QTY	MFR. PT.NO.	DESCRIPTION	SYM/NOTE
LIST OF MATERIALS				
UNLESS OTHERWISE SPECIFIED DIMENSIONS ARE IN INCHES AND APPLY BEFORE FINISH SURFACE ROUGHNESS .125 TOLERANCE ON FRACTIONS DECIMALS ANGLES		DRAWN RKH DATE 2 DEC 03		<b>VARTECH SYSTEMS</b>
± 1/64 ± .001 ± 1/2		CHECKED		
		DRAFTING		
		ENGINEER		
MATERIAL		MANUF		OUTLINE DRAWING VT121R 6U
FINISH		APPROVED		
APPLICATION		QA		
VT121R			SIZE D	DWG NO. 601-0001
USED ON				REV 2
SCALE 1 : 1.5			SHEET 1 OF 1	