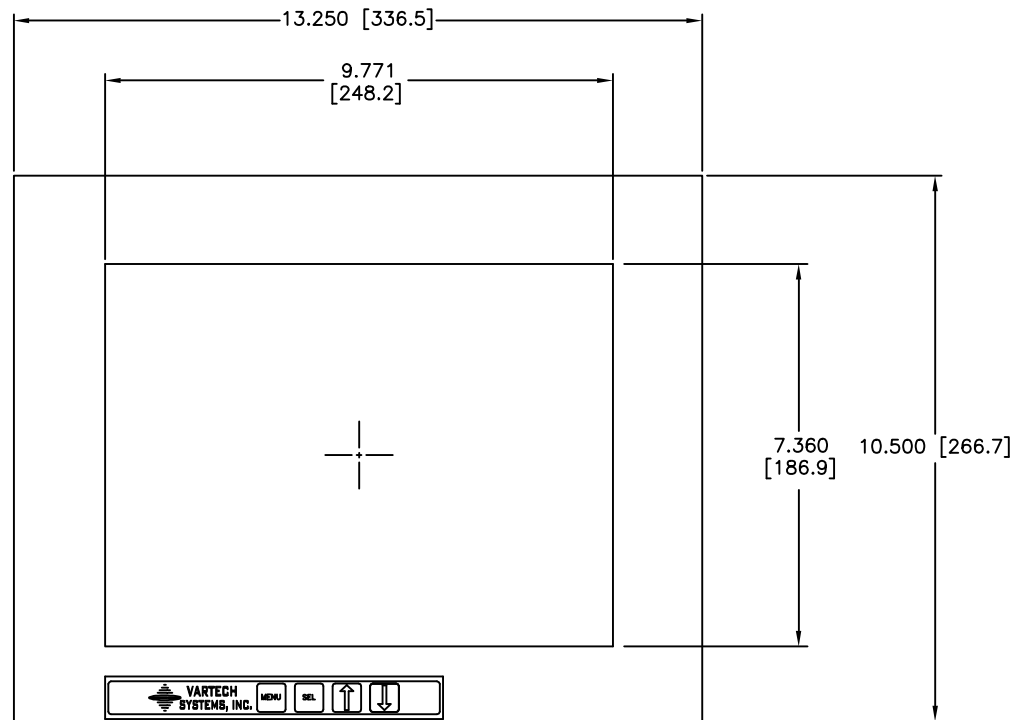
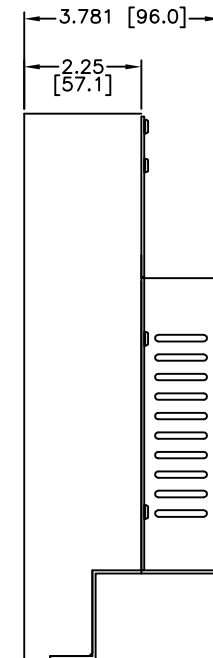


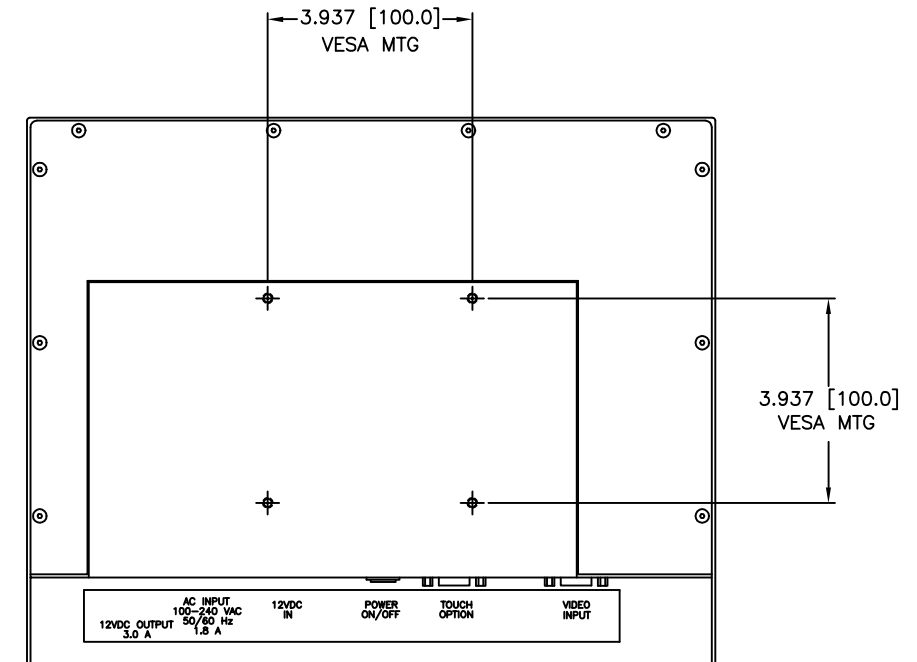
CHANGE HISTORY		
FILE INDEX	DESCRIPTION	APPROVAL INITIAL DATE
1	PRELIMINARY RELEASE	



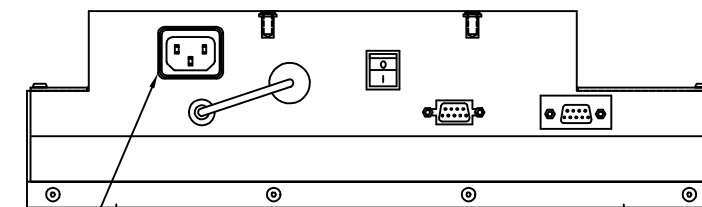
FRONT VIEW



SIDE VIEW



REAR VIEW



BOTTOM VIEW

AC POWER INPUT

NOTES:

1. ALL DIMENSIONS ARE NOMINAL AND FOR REFERENCE ONLY. THIS DRAWING SHOULD NOT BE USED FOR DESIGN PURPOSES.

[MM]

QTY	ITEM	MFR. PT.NO.	DESCRIPTION	SYM/NOTE
LIST OF MATERIALS				
UNLESS OTHERWISE SPECIFIED DIMENSIONS ARE IN INCHES AND APPLY BEFORE FINISH SURFACE ROUGHNESS .125/ TOLERANCE ON FRACTIONS 1/64 DECIMALS ±.02 ANGLES ± 1/2		DRAWN RKH	DATE 14OCT02	VARTECH SYSTEMS OUTLINE DRAWING VT121WC
MATERIAL		CHECKED		
FINISH		DRAFTING		
APPLICATION		ENGINEER		
VT121WC		MANUF		SIZE D
USED ON		APPROVED		
		QA		DWG NO. 601-0007
SCALE 1 : 1			SHEET 1 OF 1	REV 1

FILE NUMBER: 6010007-R1 1