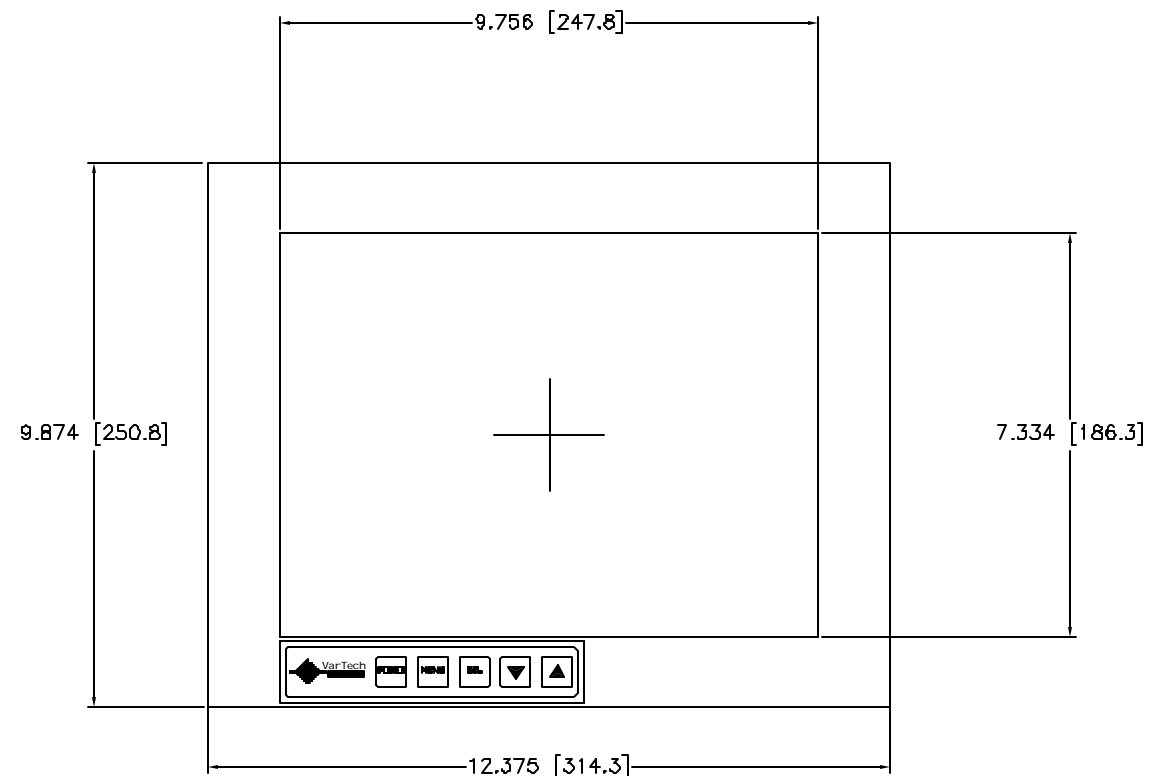
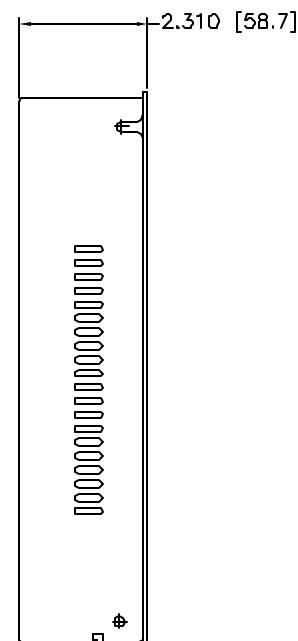


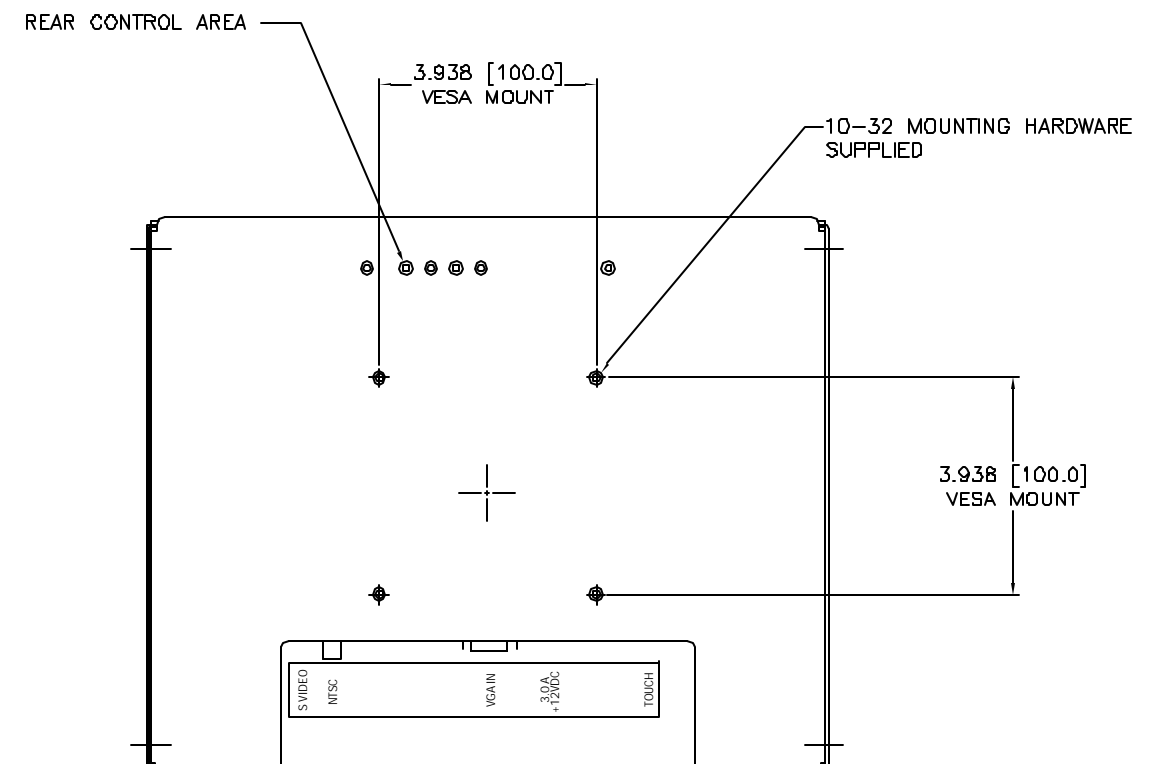
CHANGE HISTORY		
FILE INDEX	DESCRIPTION	APPROVAL INITIAL DATE
1	PRELIMINARY RELEASE	



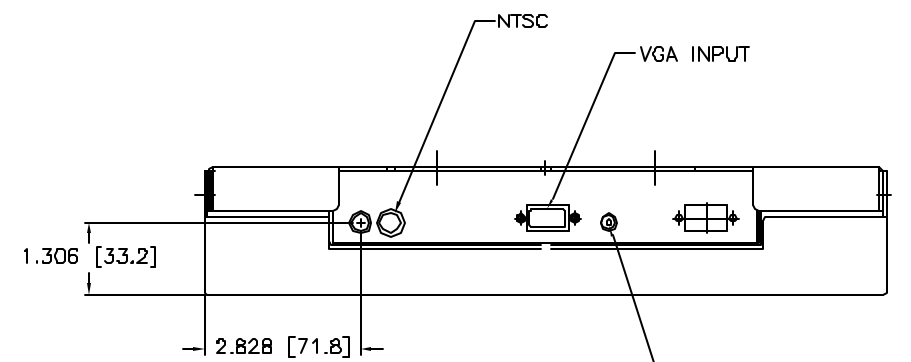
FRONT VIEW



SIDE VIEW



REAR VIEW



BOTTOM VIEW

NOTES:

1. ALL DIMENSIONS ARE NOMINAL AND FOR REFERENCE ONLY. THIS DRAWING SHOULD NOT BE USED FOR DESIGN PURPOSES.
2. WEIGHT OF UNIT IS XX LBS.
3. SHIPPING WEIGHT OF UNIT IS XX LBS.

ITEM	QTY	MFR. PT.NO.	DESCRIPTION	SYM/NOTE
LIST OF MATERIALS				
UNLESS OTHERWISE SPECIFIED DIMENSIONS ARE IN INCHES AND APPLY BEFORE FINISH SURFACE ROUGHNESS .125 TOLERANCE ON FRACTIONS   DECIMALS   ANGLES		DRAWN RKH DATE 13 DEC 03		<b>VARTECH SYSTEMS</b>
± 1/64   ± .001   ± 1/2		CHECKED		
MATERIAL		DRAFTING		
FINISH		ENGINEER		
APPLICATION		MANUF		OUTLINE DRAWING DIAMONDVUE VT121W
VT121W		APPROVED		
USED ON		QA		
SCALE 1 : 1.65			DWG NO. 601-0082	REV 1