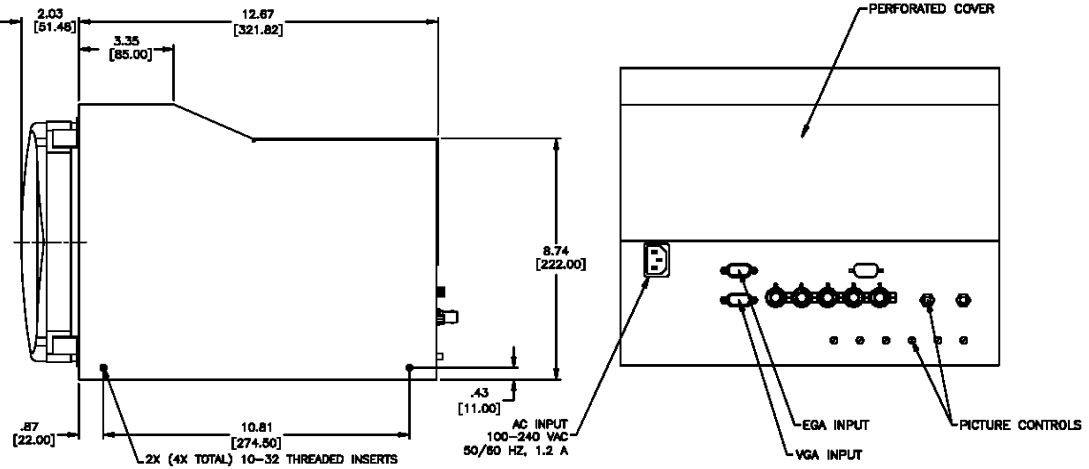
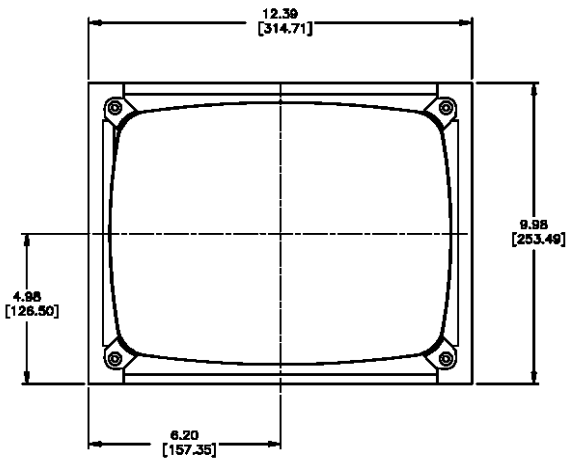
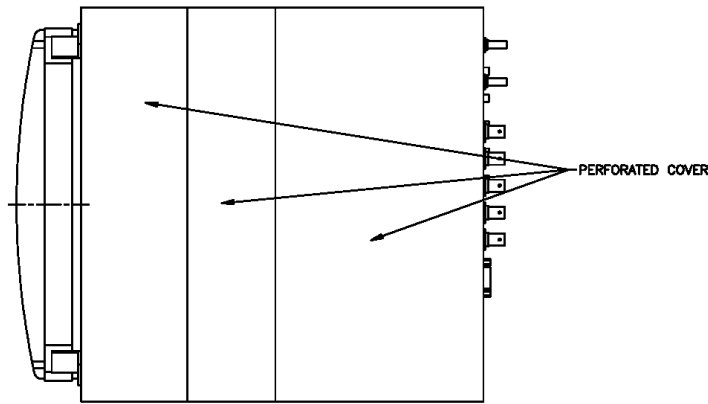


CHANGE HISTORY			
FILE INDEX	DESCRIPTION	APPROVAL INITIAL	DATE
1	PRELIMINARY RELEASE		
2	PER ECN 20103	GC	01DEC08



NOTES:

- 1- ALL DIMENSIONS ARE NOMINAL AND FOR REFERENCE ONLY. THIS DRAWING SHOULD NOT BE USED FOR DESIGN PURPOSES.
- 2- UNIT WEIGHT: APPROX. 22.0 LBS (CONFIGURED AS SHOWN)
- 3- DIMENSIONS ARE AS SHOWN: $\frac{IN}{[MM]}$

ITEM	QTY	MFR. PT.NO.	DESCRIPTION	SYM/NOTE
LIST OF MATERIALS				
UNLESS OTHERWISE SPECIFIED DIMENSIONS ARE IN INCHES AND APPLY BEFORE FINISH		DRAWN	DATE	 VARTECH SYSTEMS
SURFACE ROUGHNESS .125		CHECKED	11/21/08	
TOLERANCE ON FRACTIONS DECIMALS ANGLES		DRAFTING		
$\pm \frac{1}{64}$ $\pm .005$ $\pm \frac{1}{2}$		ENGINEER		
MATERIAL	X	MANUF		OUTLINE DRAWING VT12A-C1
FINISH	X	APPROVED		
APPLICATION	X	QA		
VT12A-C1				SIZE
USED ON				D
				DWG NO.
				600-2064
				REV
				2
				SCALE 1 : 2
				FILE NUMBER: 6002064-R2
				SHEET 1 OF 1