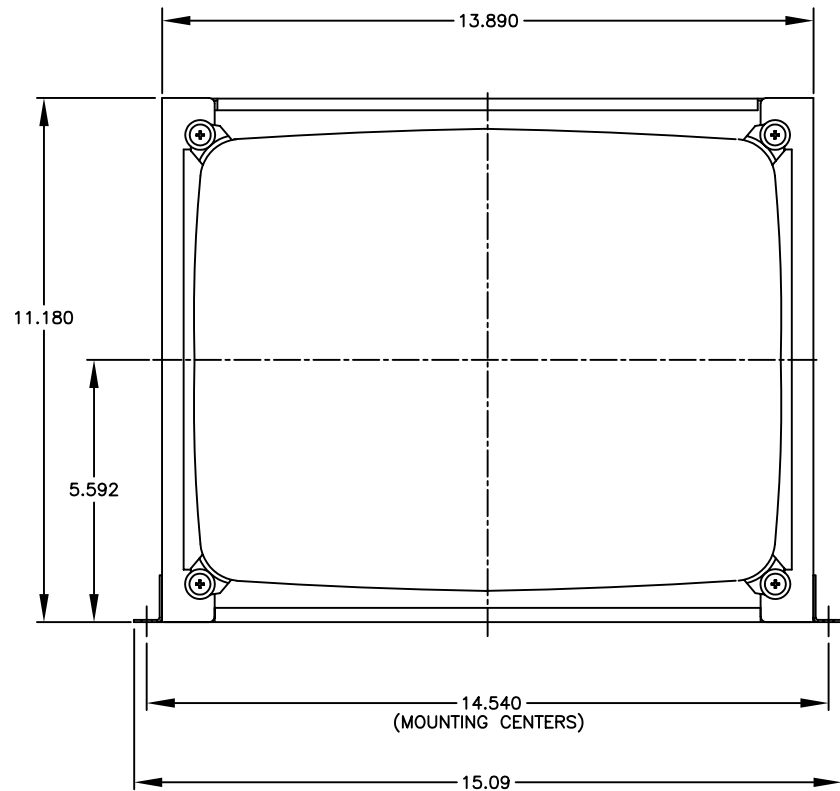
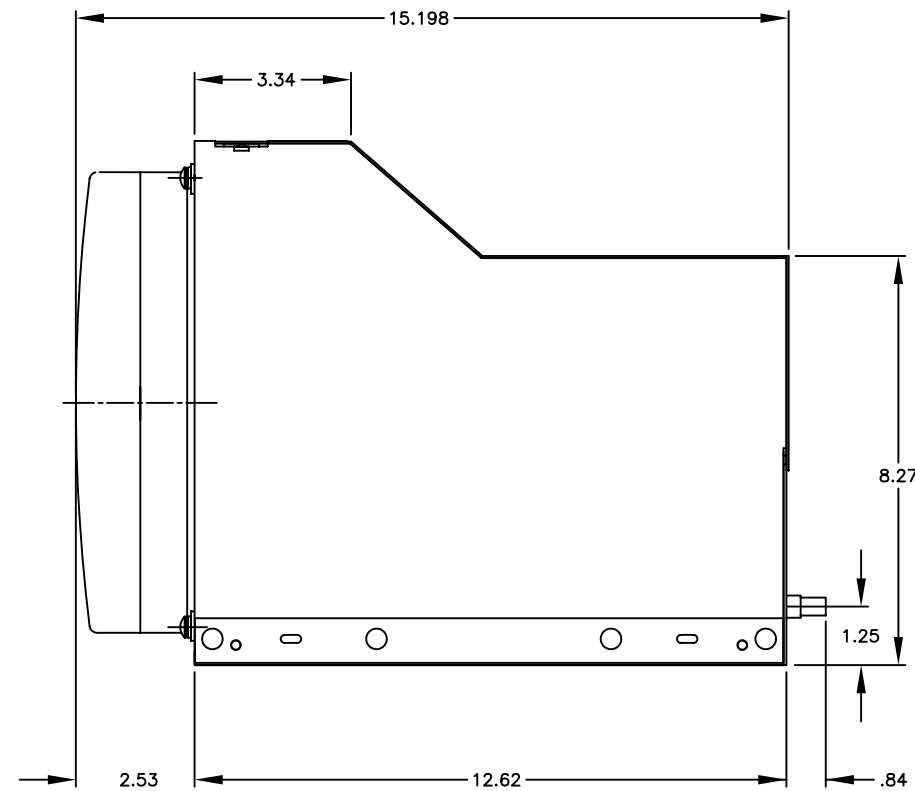


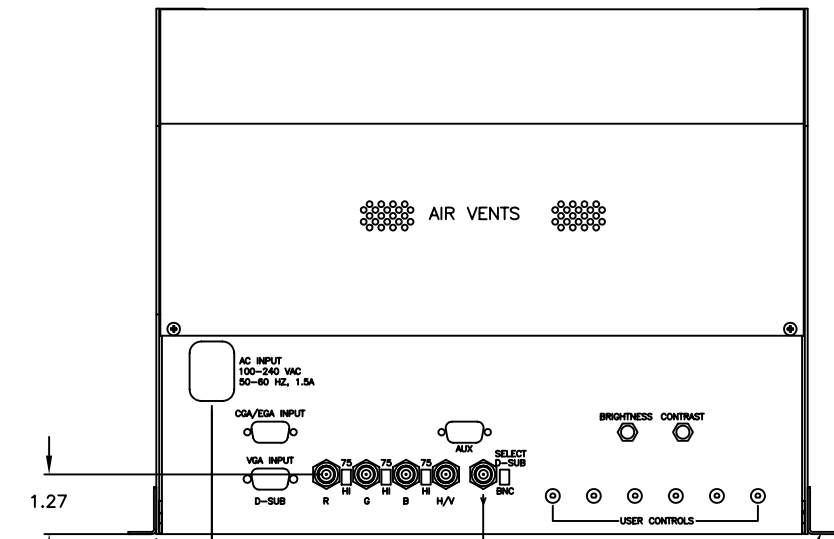
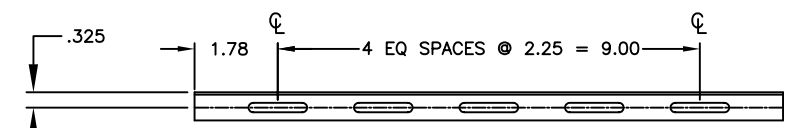
CHANGE HISTORY		
FILE INDEX	DESCRIPTION	APPROVAL INITIAL DATE
1	PRELIMINARY RELEASE	



FRONT VIEW



PLAN VIEW MTG ANGLE



REAR VIEW

DETACHABLE SIDE BRACKETS

- NOTES:
- 1- ALL DIMENSIONS ARE NOMINAL AND FOR REFERENCE ONLY. THIS DRAWING SHOULD NOT BE USED FOR DESIGN PURPOSES.
  - 2- UNIT WEIGHT: APPROX. 29.5 LBS (CONFIGURED AS SHOWN)

QTY	ITEM	MFR. PT.NO.	DESCRIPTION	SYM/NOTE
LIST OF MATERIALS				
	UNLESS OTHERWISE SPECIFIED DIMENSIONS ARE IN INCHES AND APPLY BEFORE FINISH SURFACE ROUGHNESS .125/ TOLERANCE ON FRACTIONS   DECIMALS   ANGLES ± 1/64   ±.XX=.02   ± 1/2 ±.XXX=.005	DRAWN RKH	DATE 18MAR02	<b>VARTECH SYSTEMS</b> <b>OUTLINE DRAWING</b> <b>VT14A-C</b>
		CHECKED		
		DRAFTING		
		ENGINEER		
		MANUF		
	MATERIAL	APPROVED		SIZE D
	FINISH	QA		DWG NO. 600-2040
	APPLICATION			REV 1
				SCALE 1 : 2
				SHEET 1 OF 1