

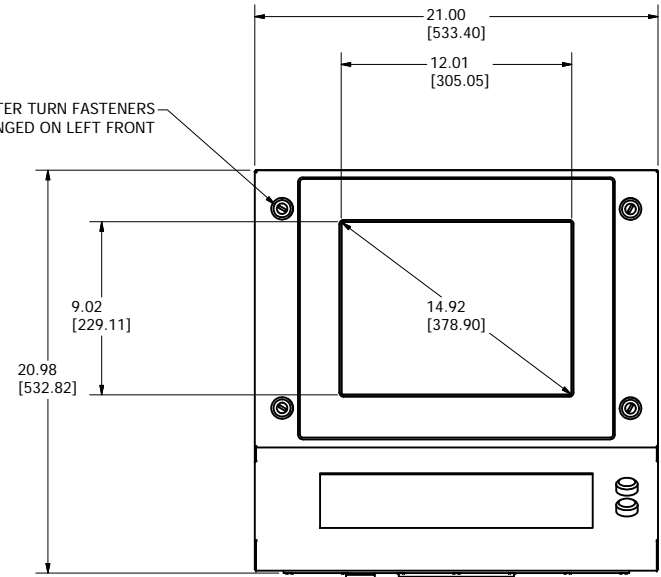
- NOTES:
1. OPERATING TEMPERATURE 0°C TO 50°C
 2. NEMA 4X, 316 STAINLESS STEEL, OR NEMA 4, POWDER COAT, CONSTRUCTION
 3. FLAT KEYBOARD FOR WASHDOWN
 4. OPTIONAL TABLE TOP, BULKHEAD, PEDESTAL OR CANTILEVER ARM MOUNTING

DRAWN mcumbo	7/13/2009	VARTECH SYSTEMS			
CHECKED					TITLE DIMENSIONAL DRAWING OF 15" TOUGHSTATION VT150ESW-A
QA		SIZE D	TOLERANCES: .XX = .03 .XXX = .015	DWG NO 482-0044-00	REV 00
MFG		SCALE			SHEET 1 OF 3
APPROVED					

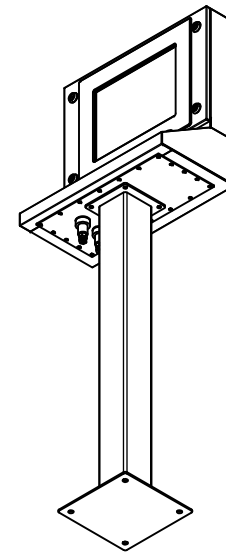
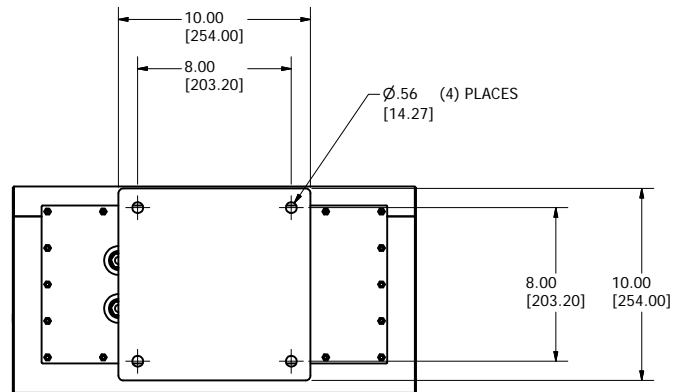
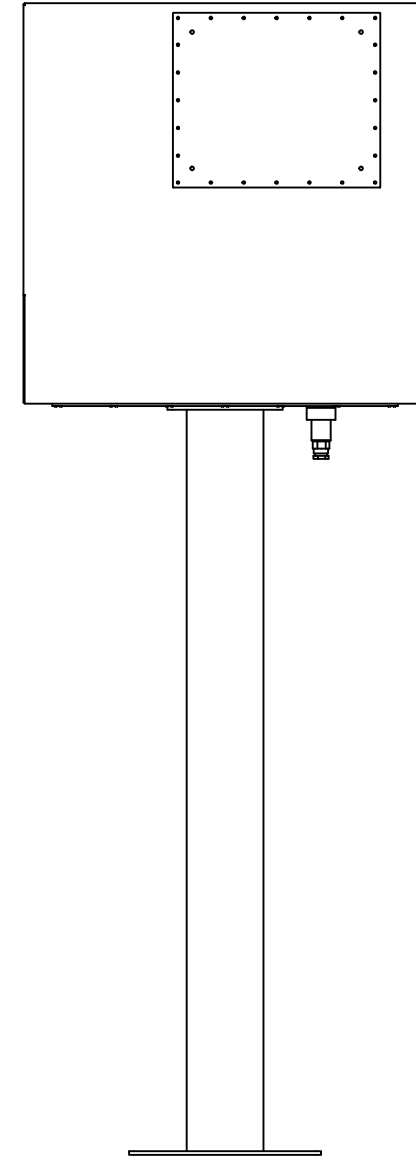
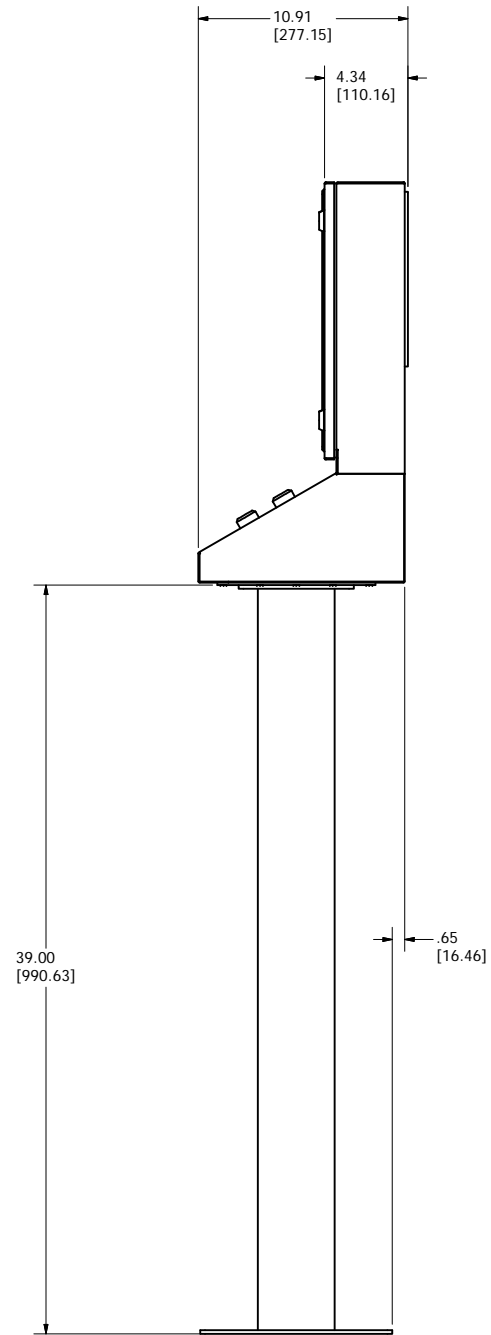
NOTES:


1. START NOTES HERE.

(4) QUARTER TURN FASTENERS
DOOR HINGED ON LEFT FRONT



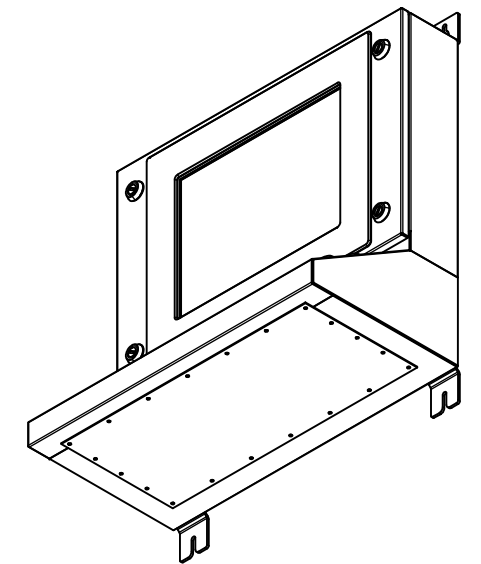
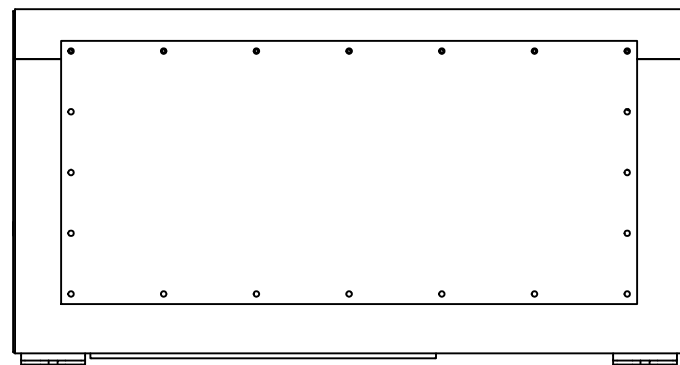
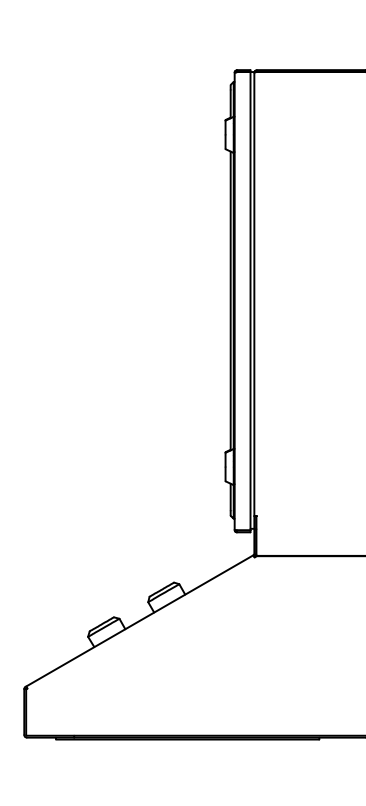
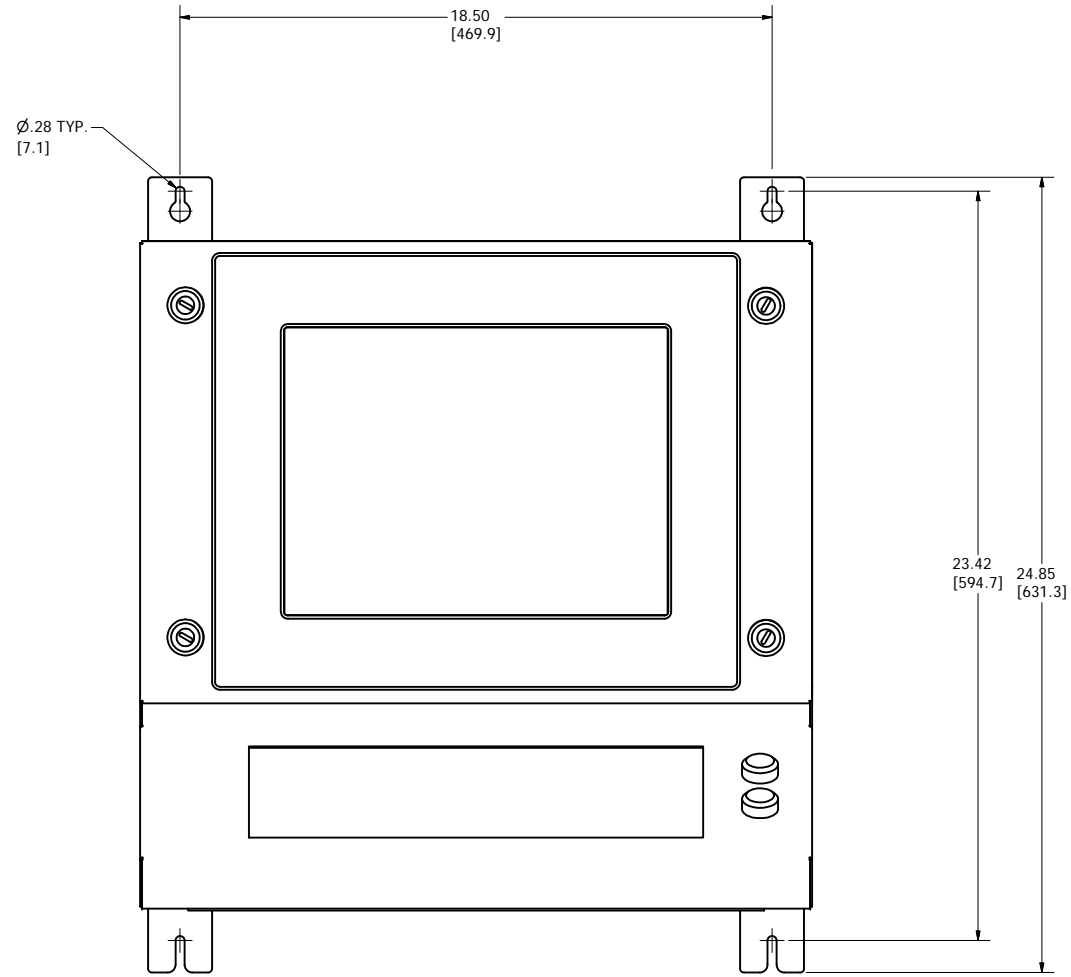
TWO BULGIN
CONNECTORS




DRAWN mcumbo	7/13/2009	 VARTECH SYSTEMS	
CHECKED			
QA		TITLE	
MFG		DIMENSIONAL DRAWING OF 15" TOUGHSTATION VT150ESW-A PEDESTAL MOUNT	
APPROVED		SIZE D	TOLERANCES: .XX = .03 .XXX = .015
		DWG NO 482-0044-00	REV 00
SCALE		SHEET 2 OF 3	

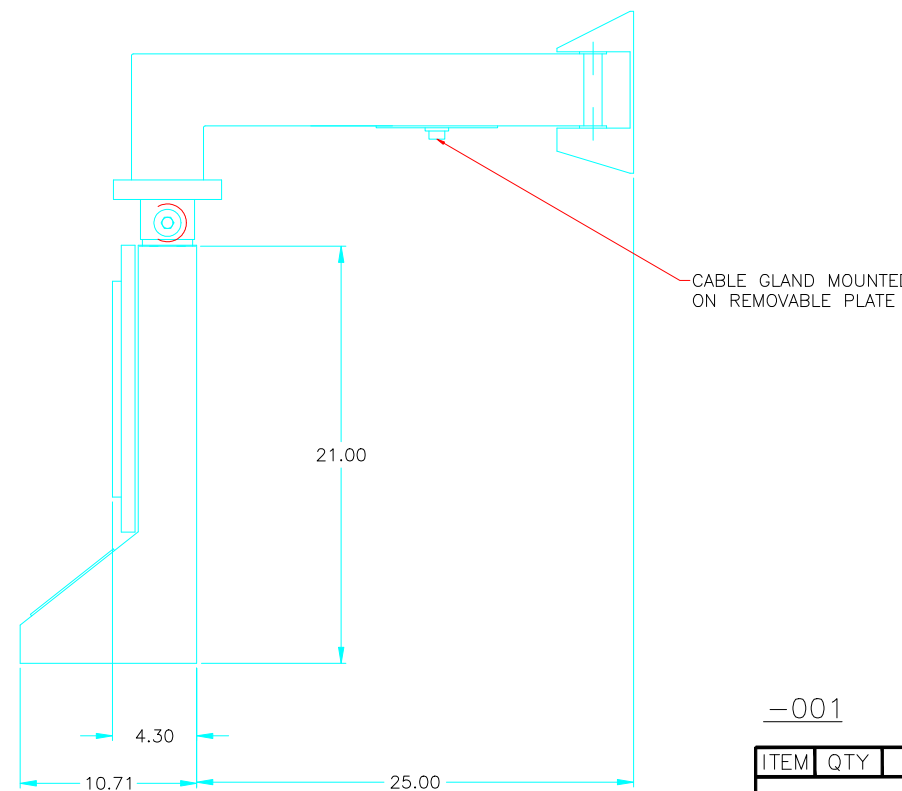
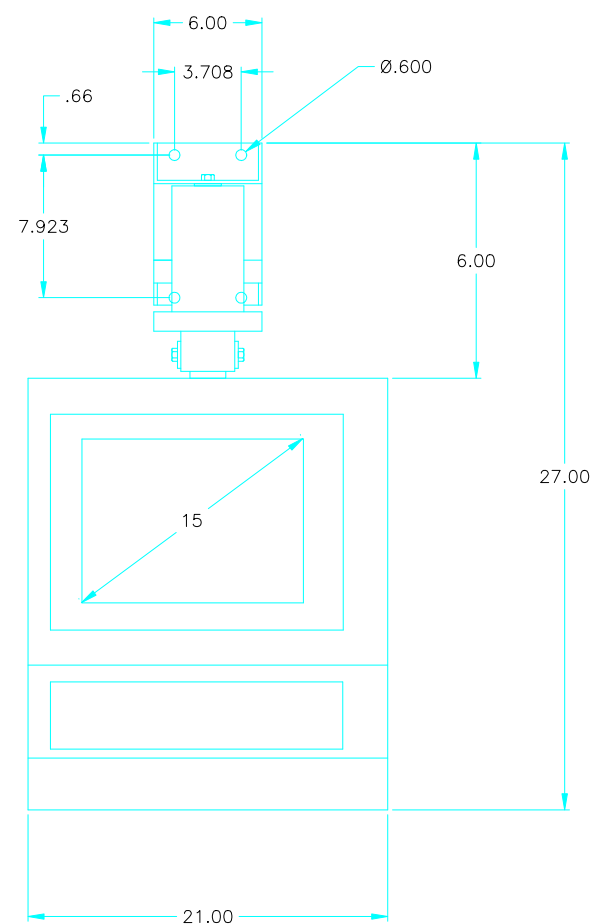
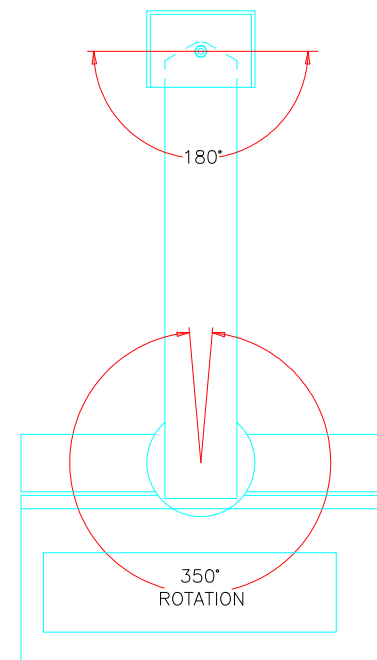
NOTES:

1. START NOTES HERE.



DRAWN mcumbo	7/13/2009	 VARTECH SYSTEMS			
CHECKED					TITLE
QA		DIMENSIONAL DRAWING OF 15" TOUGHSTATION VT150ESW-A BULKHEAD MOUNT			
MFG					
APPROVED		SIZE D	TOLERANCES: .XX = .03 .XXX = .015	DWG NO 482-0044-00	REV 00
SCALE		SHEET 3 OF 3			

CHANGE HISTORY		
FILE INDEX	DESCRIPTION	APPROVAL INITIAL DATE
1		
2		



-001

ITEM	QTY	MFR. PT.NO.	DESCRIPTION	SYM/NOTE
LIST OF MATERIALS				
UNLESS OTHERWISE SPECIFIED DIMENSIONS ARE IN INCHES AND APPLY BEFORE FINISH SURFACE ROUGHNESS .125/ TOLERANCE ON		DRAWN NJM DATE 6/10/09		VARTECH SYSTEMS
FRACTIONS DECIMALS ANGLES		CHECKED		
± 1/64 ±.XX=.02 ± 1°		DRAFTING		DIMENSIONAL DRAWING OF 15" TOUGHSTATION VT150ESW
±.XXX=.005 ± 1/2		ENGINEER		
MATERIAL		MANUF		
FINISH		APPROVED		SIZE D
APPLICATION		QA		DWG NO. 482-0042-02
				REV 00
				SCALE 1 : 3
				SHEET 1 OF 1

FILE NUMBER:

1