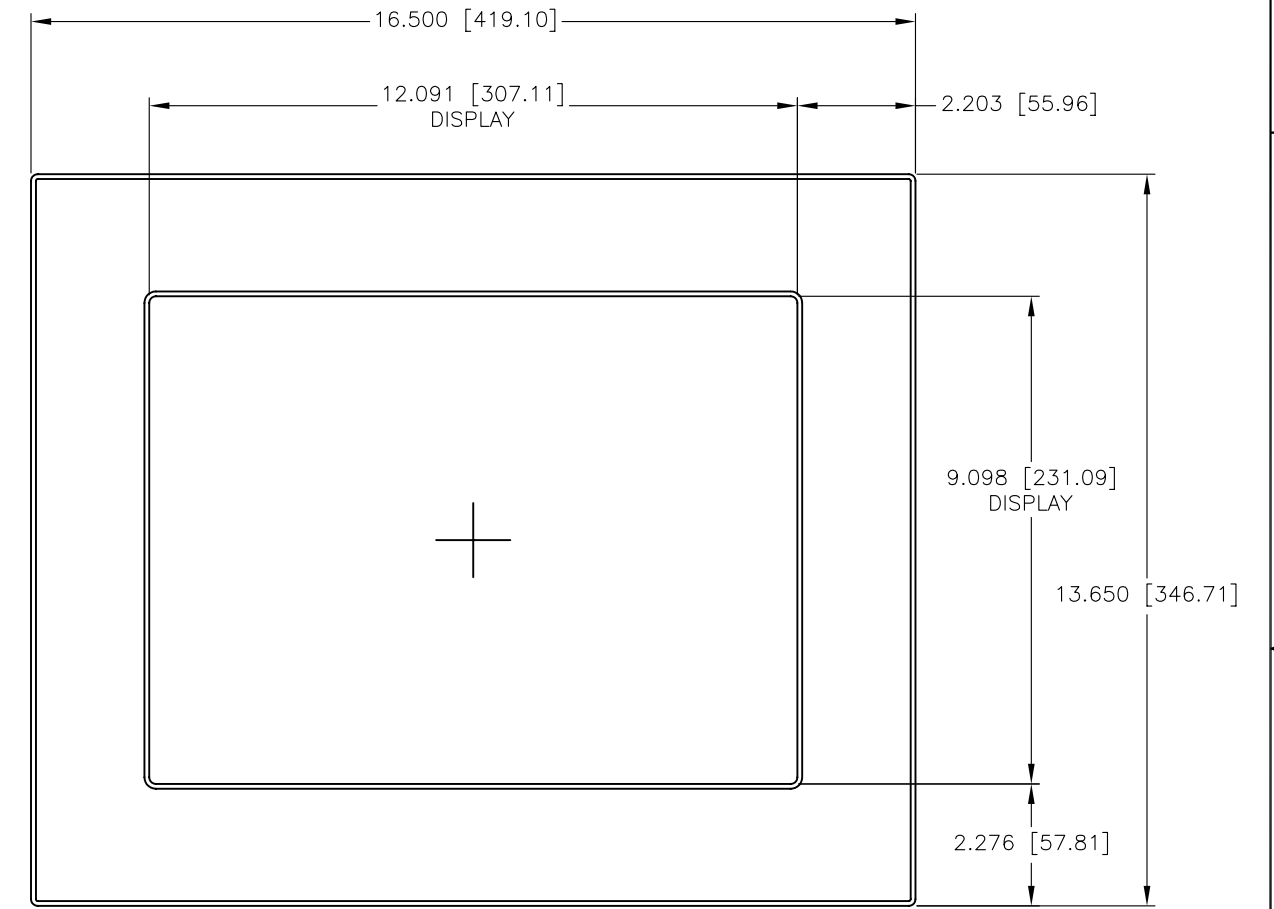
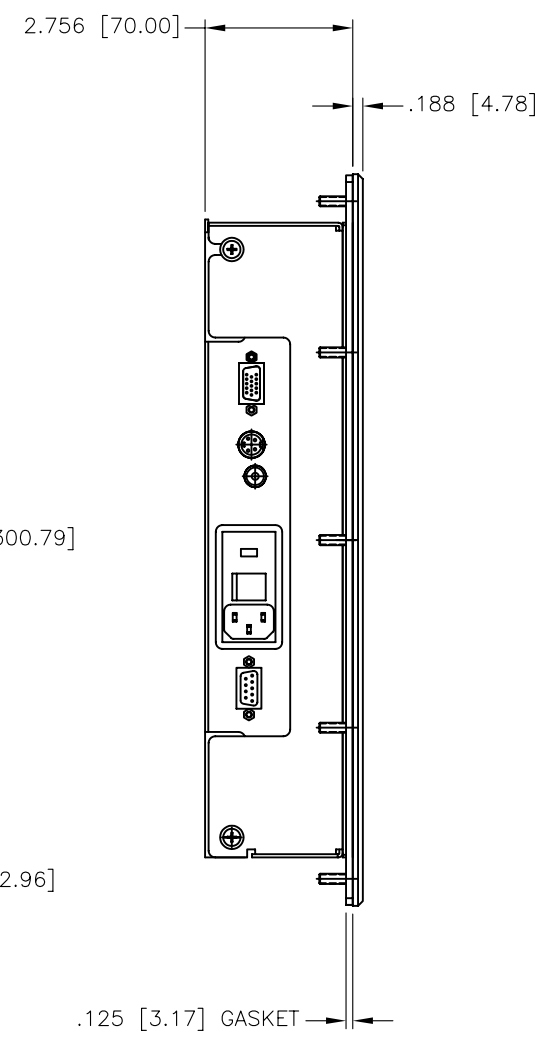
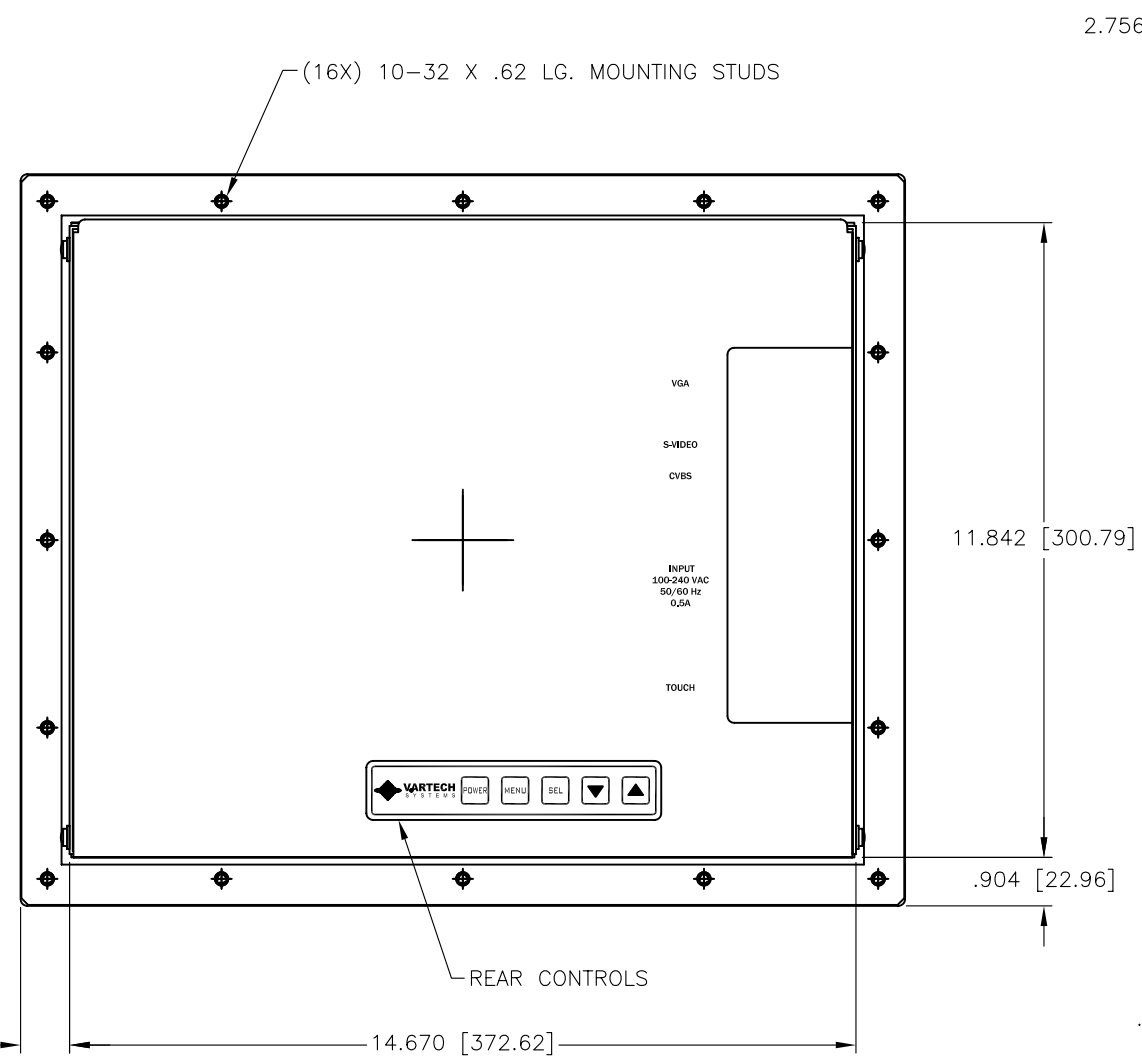
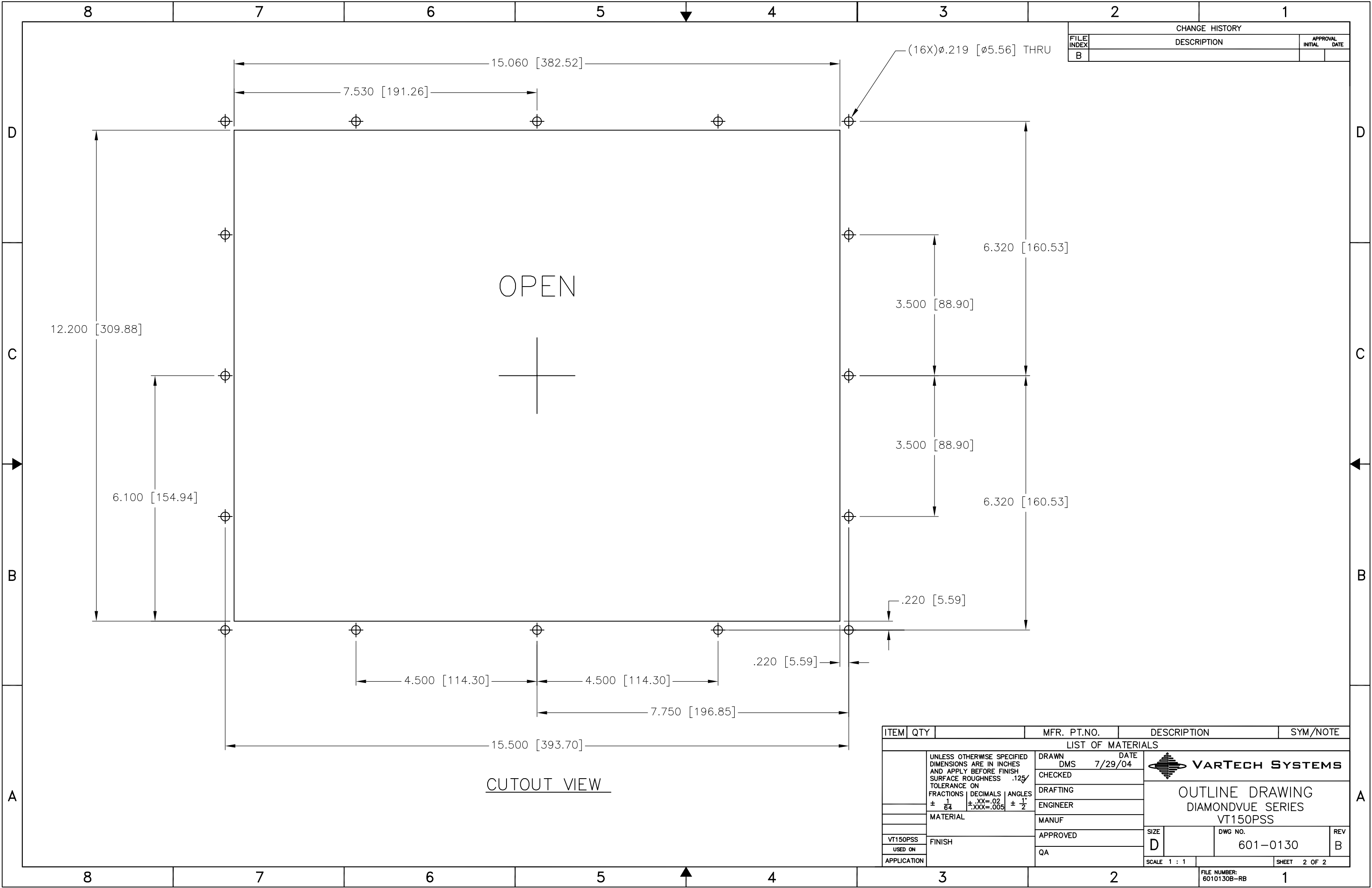


CHANGE HISTORY			
FILE INDEX	DESCRIPTION	APPROVAL INITIAL	APPROVAL DATE
A	PRELIMINARY RELEASE		
B	REVISED PER REDRAWN & REVISED	RVJ	05/03/06



- NOTES:**
1. ALL DIMENSIONS ARE NOMINAL AND FOR REFERENCE ONLY. THIS DRAWING SHOULD NOT BE USED FOR DESIGN PURPOSES.
 2. WEIGHT OF UNIT IS 19 LBS.
 3. SHIPPING WEIGHT OF UNIT IS 30 LBS.


ITEM	QTY	MFR. PT.NO.	DESCRIPTION	SYM/NOTE
LIST OF MATERIALS				
UNLESS OTHERWISE SPECIFIED DIMENSIONS ARE IN INCHES AND APPLY BEFORE FINISH SURFACE ROUGHNESS .125/ TOLERANCE ON FRACTIONS DECIMALS ANGLES		DRAWN	DATE	VARTECH SYSTEMS
± 1/64 ±.XX=.02 ± 1/2		CHECKED	7-29-04	
MATERIAL		DRAFTING		
VT150PSS		ENGINEER		
USED ON		MANUF		OUTLINE DRAWING DIAMONDVUE SERIES VT150PSS
APPLICATION		APPROVED		
		QA		SIZE
				DWG NO.
				601-0130
				REV
				B
				SCALE 1 : 1.75
				SHEET 1 OF 2



CHANGE HISTORY		
FILE INDEX	DESCRIPTION	APPROVAL INITIAL DATE
B		

OPEN

CUTOUT VIEW

ITEM	QTY	MFR.	PT.NO.	DESCRIPTION	SYM/NOTE
LIST OF MATERIALS					
UNLESS OTHERWISE SPECIFIED DIMENSIONS ARE IN INCHES AND APPLY BEFORE FINISH SURFACE ROUGHNESS .125/ TOLERANCE ON FRACTIONS DECIMALS ANGLES ± 1/64 ±.XX=.02 ± 1/2		DRAWN	DMS	DATE	7/29/04
MATERIAL		CHECKED	 VARTECH SYSTEMS		
FINISH		DRAFTING			
USED ON		ENGINEER	OUTLINE DRAWING DIAMONDVUE SERIES VT150PSS		
APPLICATION		MANUF			
		APPROVED	SIZE	DWG NO.	REV
		QA	D	601-0130	B
			SCALE 1 : 1	SHEET 2 OF 2	