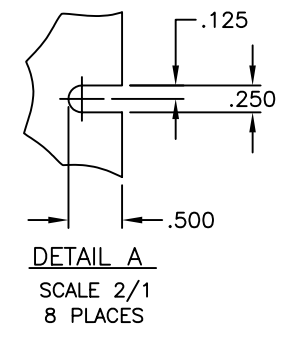
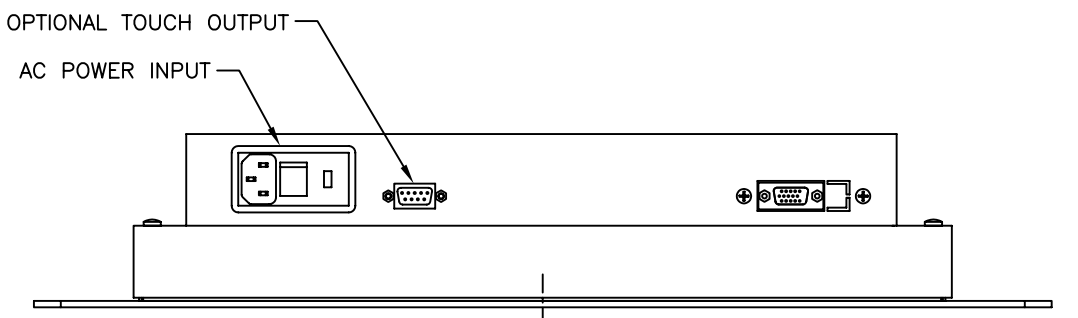
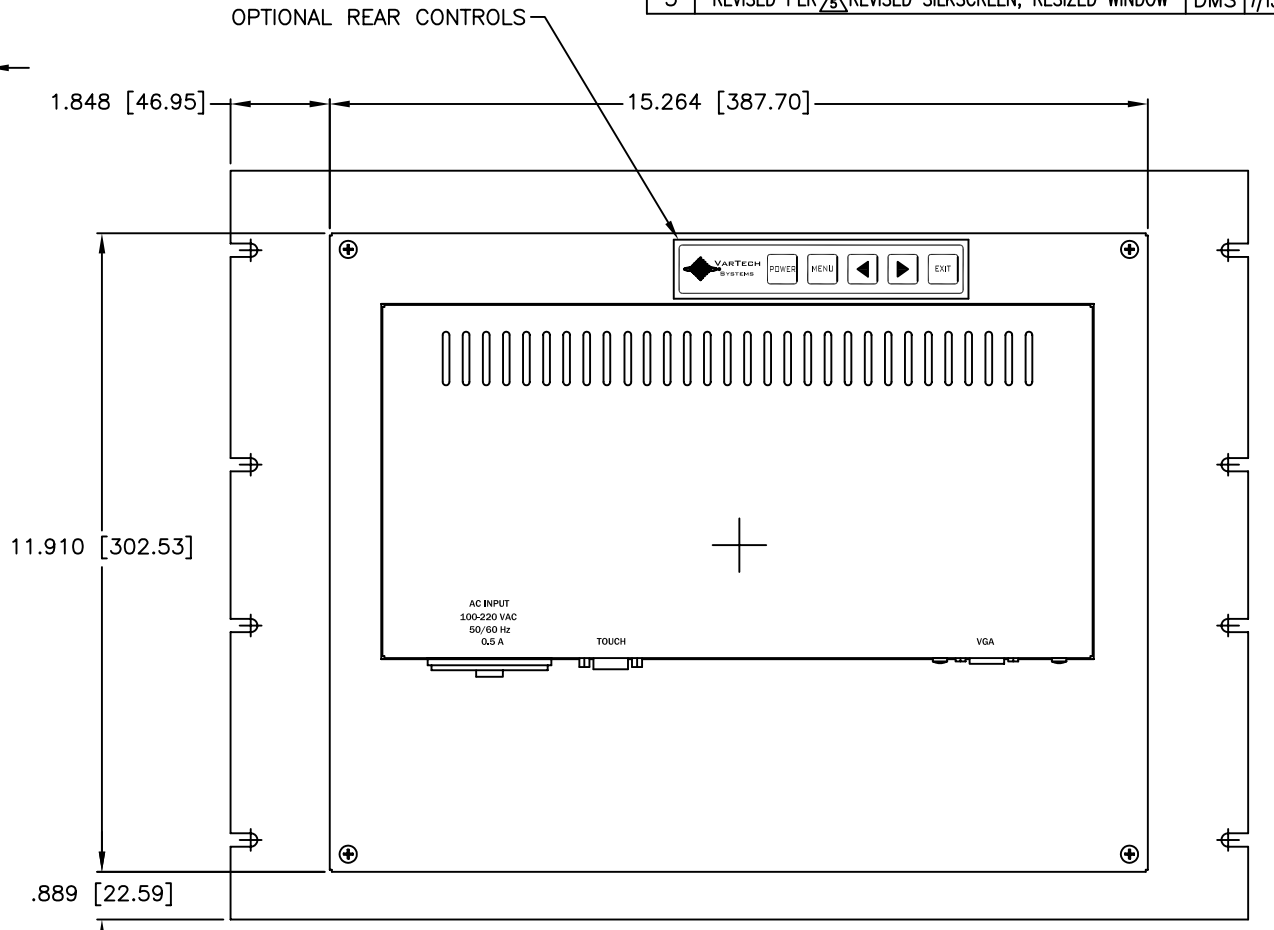
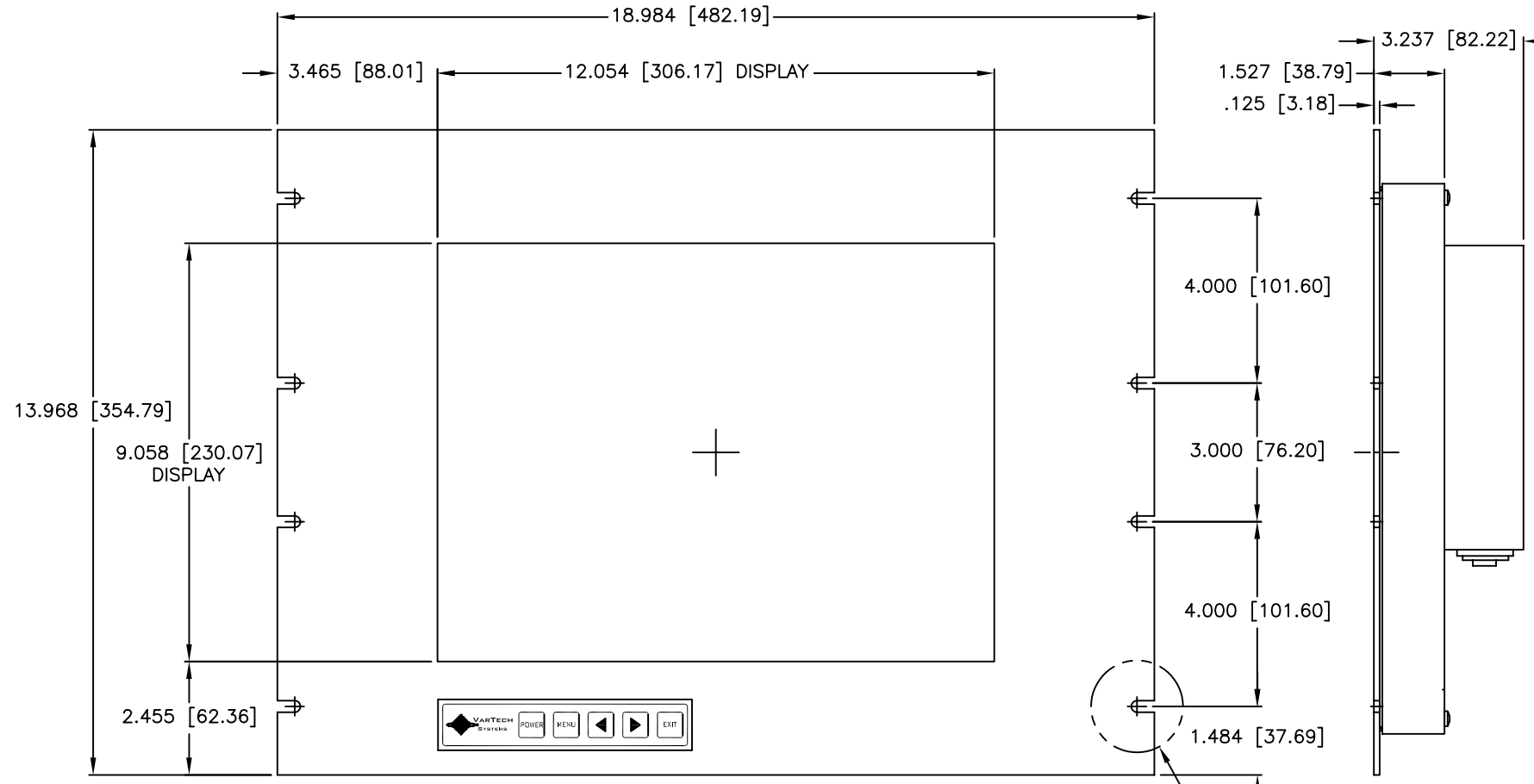


| CHANGE HISTORY | | |
|----------------|---|-----------------------|
| FILE INDEX | DESCRIPTION | APPROVAL INITIAL DATE |
| 1 | PRELIMINARY RELEASE | |
| 2 | REVISED PER Δ | |
| 3 | REVISED PER Δ ADDED SILKSCREEN | DMS 9/13/04 |
| 4 | REVISED PER Δ REDIMENSIONED TO INCLUDE METRIC | JHB 05/13/05 |
| 5 | REVISED PER Δ REVISED SILKSCREEN, RESIZED WINDOW | DMS 7/15/05 |



- NOTES:
1. ALL DIMENSIONS ARE NOMINAL AND FOR REFERENCE ONLY. THIS DRAWING SHOULD NOT BE USE FOR DESIGN PURPOSES.
 2. WEIGHT OF UNIT IS 10.5 LBS.
 3. SHIPPING WEIGHT OF UNIT IS 30 LBS.

| ITEM | QTY | MFR. PT.NO. | DESCRIPTION | SYM/NOTE |
|--|-----|-------------|--------------|---|
| LIST OF MATERIALS | | | | |
| UNLESS OTHERWISE SPECIFIED DIMENSIONS ARE IN INCHES AND APPLY BEFORE FINISH SURFACE ROUGHNESS .125/ TOLERANCE ON FRACTIONS DECIMALS ANGLES | | DRAWN RKH | DATE 26AUG02 | OUTLINE DRAWING VT150RC (8U) |
| ± 1/64 ±.XX=.02 ± 1/2 | | CHECKED | | |
| MATERIAL | | DRAFTING | | |
| FINISH | | ENGINEER | | |
| APPLICATION | | MANUF | | |
| VT150RC | | APPROVED | | SIZE D |
| USED ON | | QA | | DWG NO. 601-0008 |
| | | | | REV 5 |
| SCALE 1 : 1.75 | | | | SHEET 1 OF 1 |
| FILE NUMBER: 6100008-R5 1 | | | | |