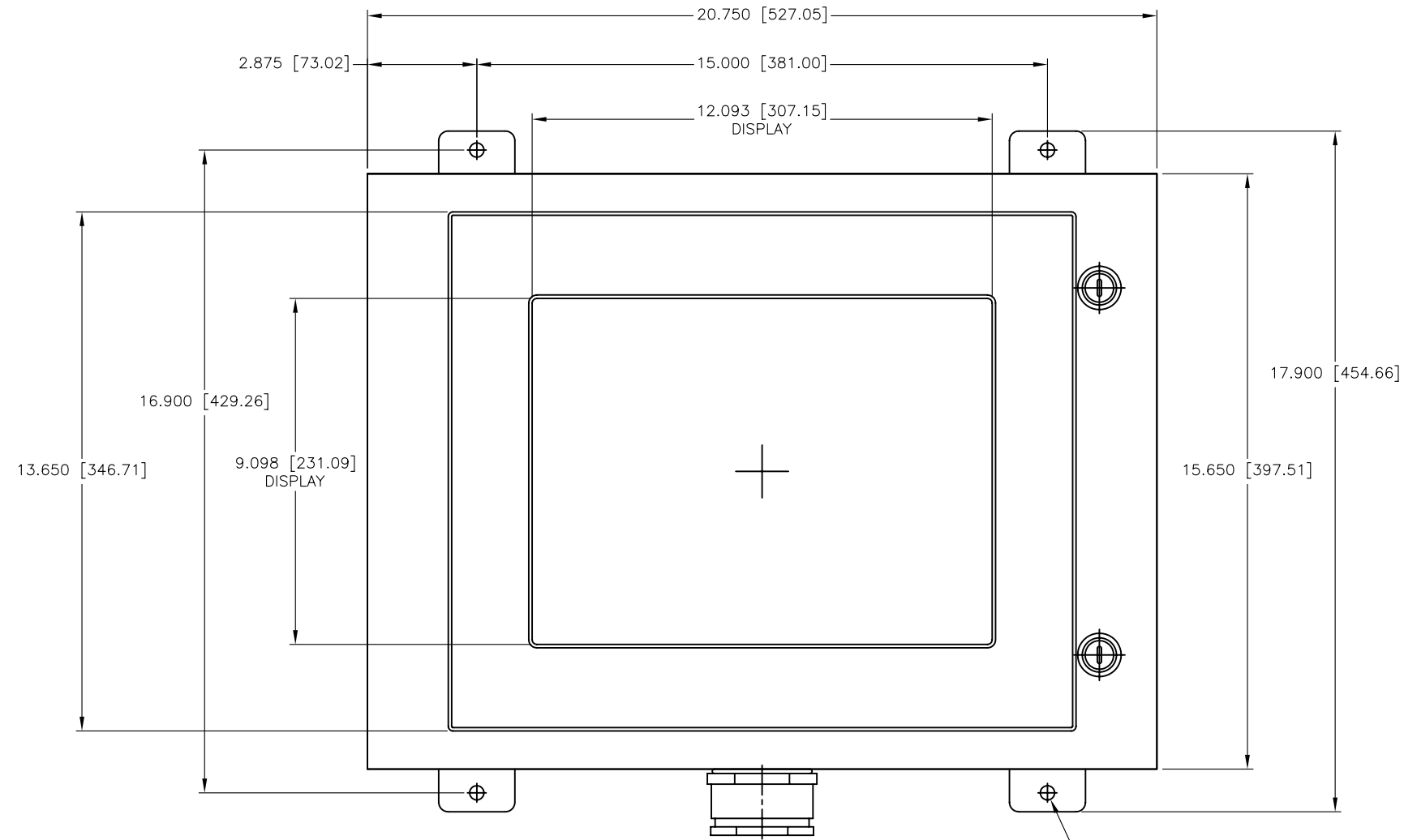
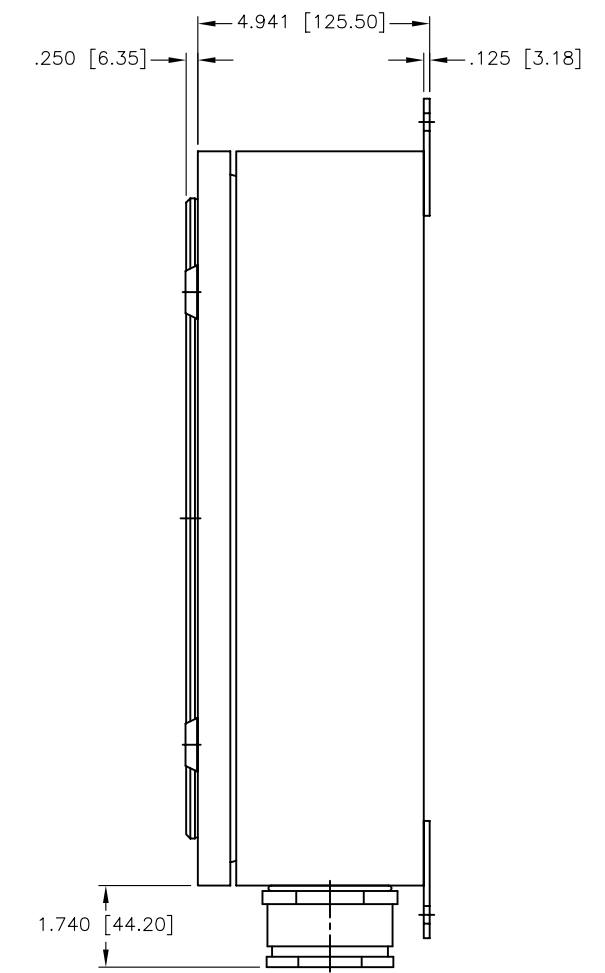


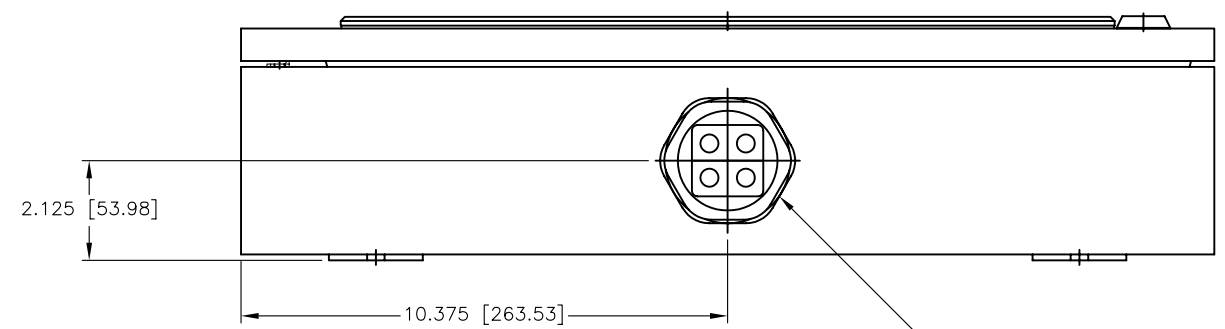
CHANGE HISTORY			
FILE INDEX	DESCRIPTION	APPROVAL INITIAL	DATE
A	PRELIMINARY RELEASE		
B	REVISED PER Δ REDRAWN NEW STYLE	RVJ	11/14/05



FRONT VIEW



SIDE VIEW



BOTTOM VIEW

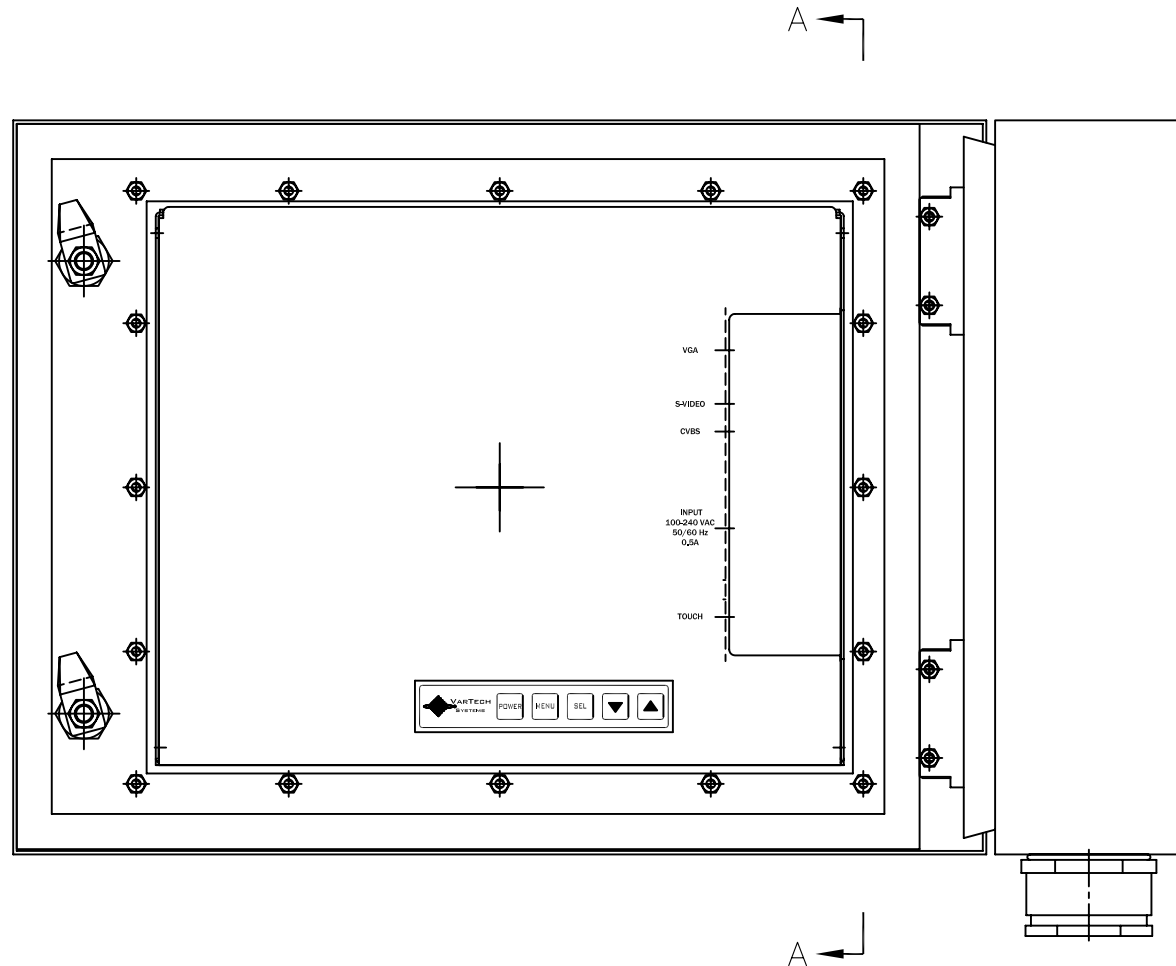
- NOTES:
1. ALL DIMENSIONS ARE NOMINAL AND FOR REFERENCE ONLY. THIS DRAWING SHOULD NOT BE USED FOR DESIGN PURPOSES.
 2. WEIGHT OF UNIT IS 40 LBS.
 3. SHIPPING WEIGHT OF UNIT IS 50 LBS.

(4) ϕ .375 [ϕ 9.53] THRU

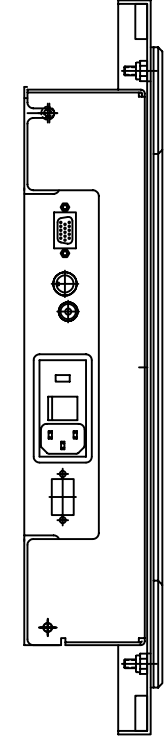
CABLE SEALING GLAND

ITEM	QTY	MFR. PT.NO.	DESCRIPTION	SYM/NOTE
LIST OF MATERIALS				
UNLESS OTHERWISE SPECIFIED DIMENSIONS ARE IN INCHES AND APPLY BEFORE FINISH SURFACE ROUGHNESS .125/ TOLERANCE ON		DRAWN DATE RVJ 11/14/05		VARTECH SYSTEMS
FRACTIONS DECIMALS ANGLES $\pm \frac{1}{64}$ $\pm .XX=.02$ $\pm \frac{1}{2}$ $\pm .XXX=.005$		CHECKED		
MATERIAL		DRAFTING		OUTLINE DRAWING VT150WESS
FINISH		ENGINEER		
APPLICATION		MANUF		
VT150WESS USED ON		APPROVED		SIZE D
		QA		DWG NO. 601-0127
				REV B
				SCALE 1 : 2
				SHEET 1 OF 2

CHANGE HISTORY		
FILE INDEX	DESCRIPTION	APPROVAL INITIAL DATE
B		



REAR VIEW OF DOOR OPEN



VIEW A-A
CONNECTOR VIEW

ITEM	QTY	MFR. PT.NO.	DESCRIPTION	SYM/NOTE
LIST OF MATERIALS				
UNLESS OTHERWISE SPECIFIED DIMENSIONS ARE IN INCHES AND APPLY BEFORE FINISH SURFACE ROUGHNESS .125/ TOLERANCE ON		DRAWN RVJ DATE 02/13/06		VARTECH SYSTEMS OUTLINE DRAWING VT150WESS
FRACTIONS DECIMALS ANGLES		CHECKED		
± 1/64 ±.XX=.02 ± 1/2		DRAFTING		
±.XXX=.005		ENGINEER		
MATERIAL		MANUF		SIZE D DWG NO. 601-0127 REV B SCALE 1 : 2 SHEET 2 OF 2
FINISH		APPROVED		
APPLICATION		QA		
VT150WESS				
USED ON				
FILE NUMBER: 6010127-RB				