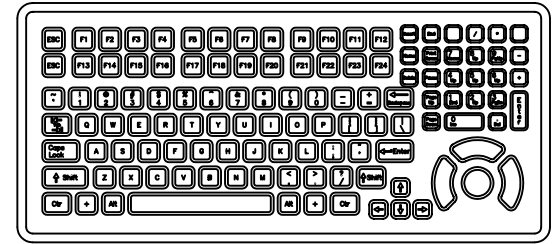
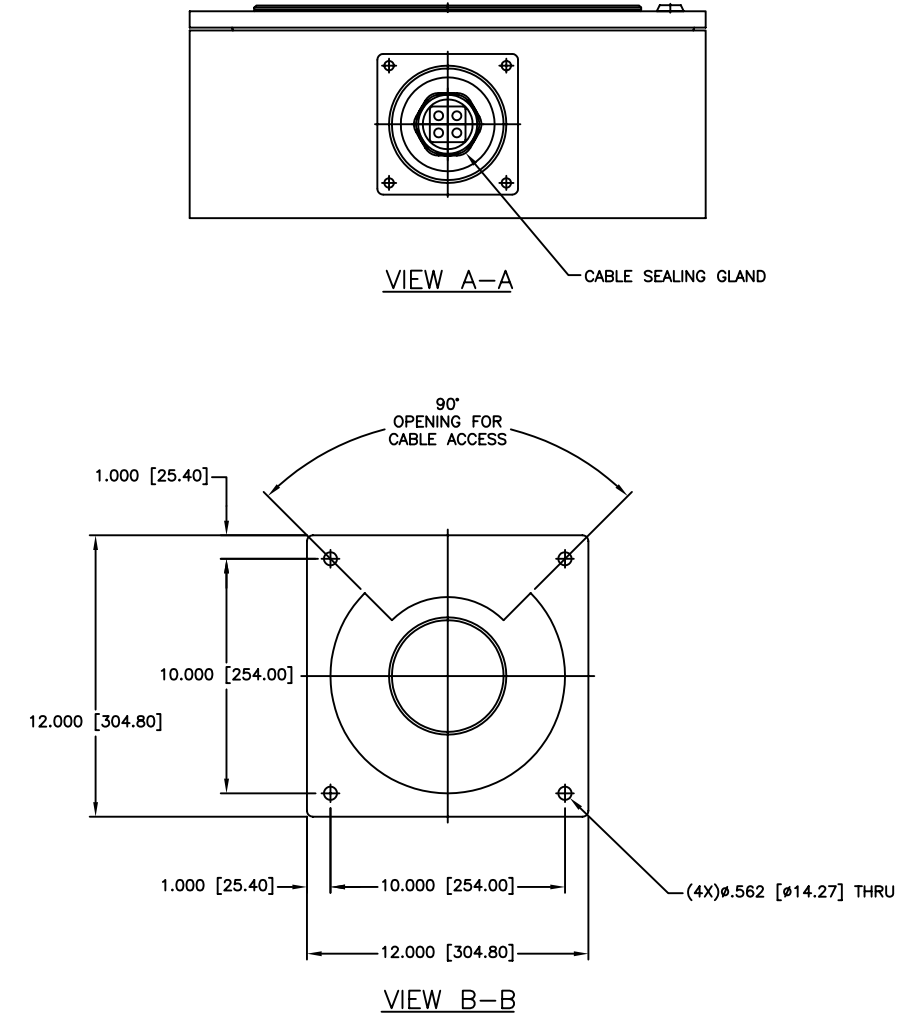
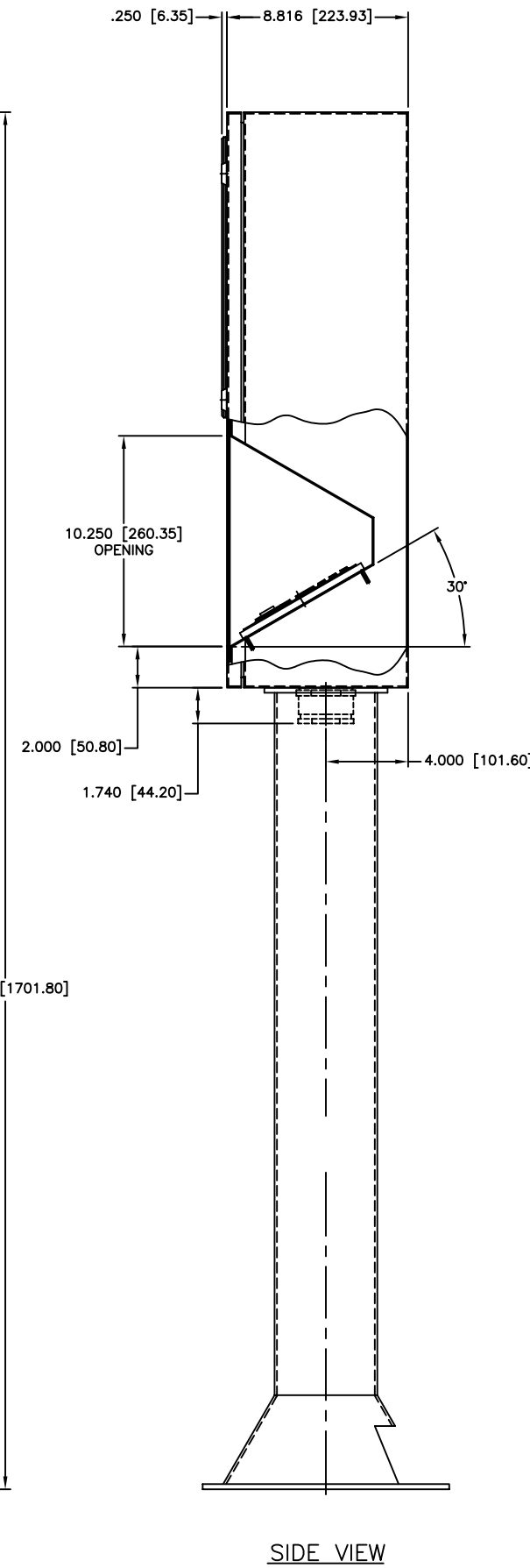
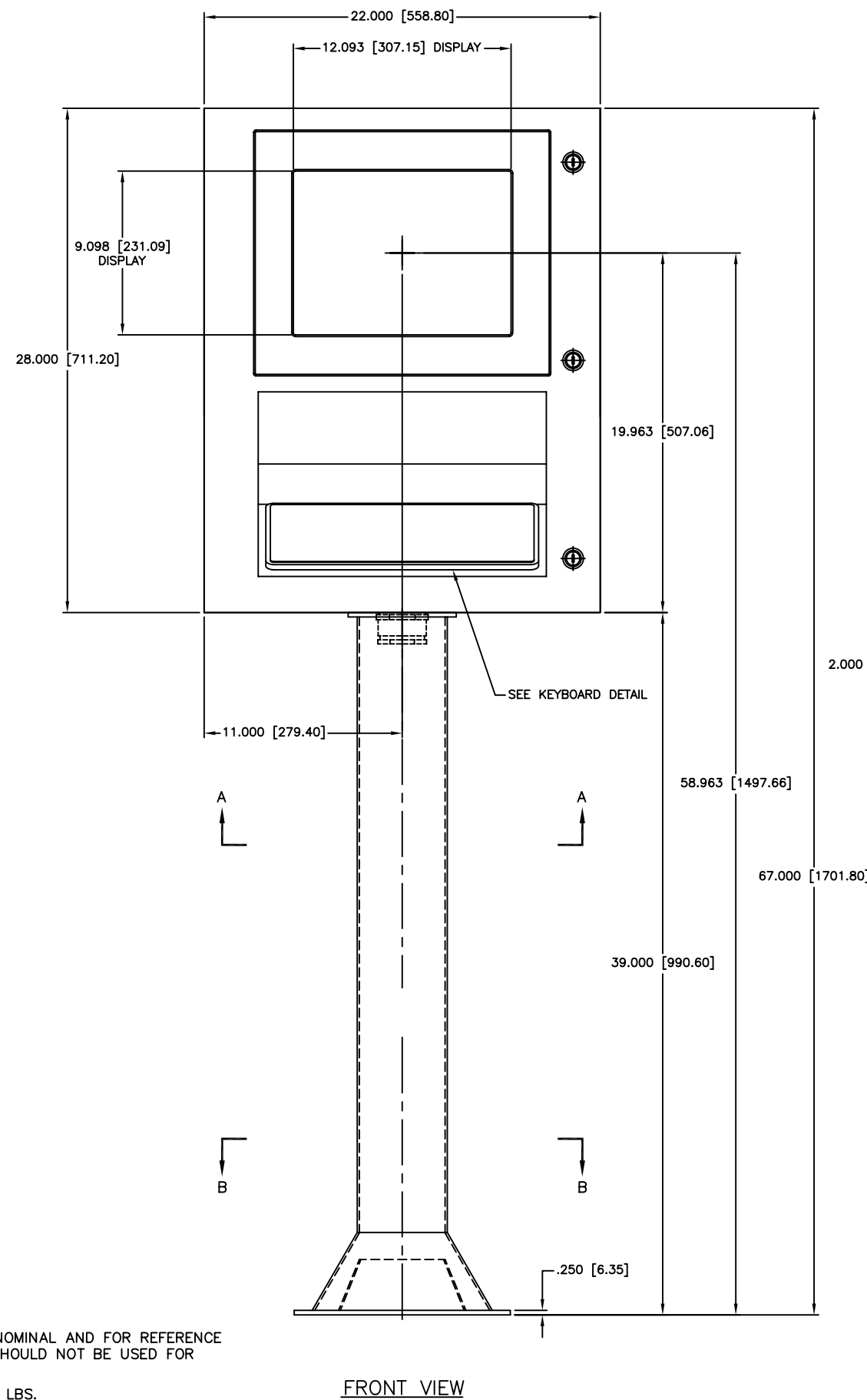


CHANGE HISTORY		
FILE INDEX	DESCRIPTION	APPROVAL INITIAL DATE
1	PRELIMINARY RELEASE	



- NOTES:**
1. ALL DIMENSIONS ARE NOMINAL AND FOR REFERENCE ONLY. THIS DRAWING SHOULD NOT BE USED FOR DESIGN PURPOSES.
  2. WEIGHT OF UNIT IS XX LBS.
  3. SHIPPING WEIGHT OF UNIT IS XX LBS.

ITEM	QTY	MFR. PT.NO.	DESCRIPTION	SYM/NOTE
LIST OF MATERIALS				
UNLESS OTHERWISE SPECIFIED DIMENSIONS ARE IN INCHES AND APPLY BEFORE FINISH SURFACE ROUGHNESS .125/ TOLERANCE ON FRACTIONS   DECIMALS   ANGLES		DRAWN DATE RVJ 09/30/05		<b>VARTECH SYSTEMS</b>
± 1/64   ± .XX=.02   ± 1/2		CHECKED		
MATERIAL		DRAFTING		OUTLINE DRAWING VT150WKS PEDESTAL MOUNTING
FINISH		ENGINEER		
APPLICATION		MANUF		
VT150WKS		APPROVED		SIZE D
USED ON		QA		DWG NO. 601-0191
				REV 1
				SCALE 1 : 4
				SHEET 1 OF 1