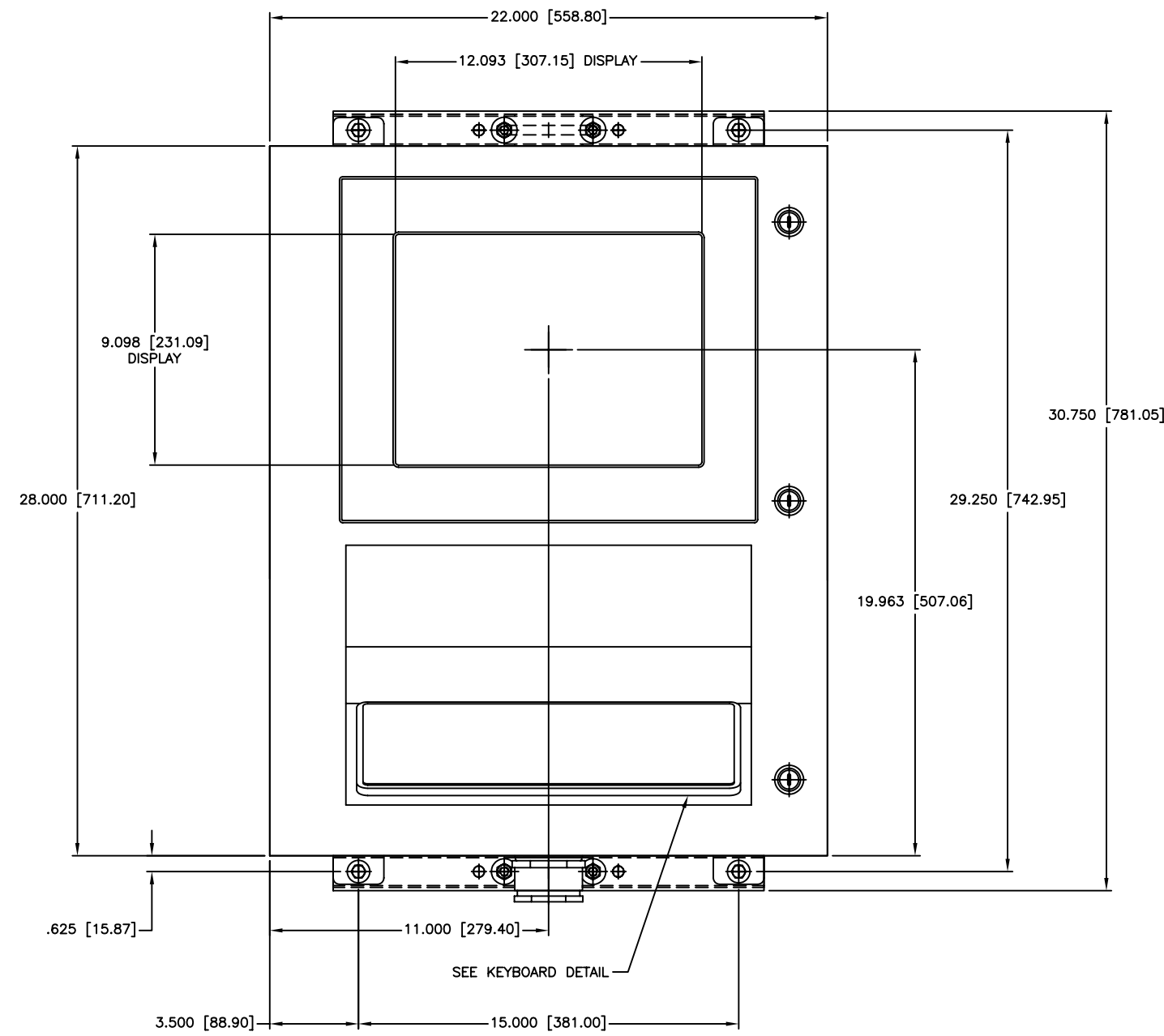
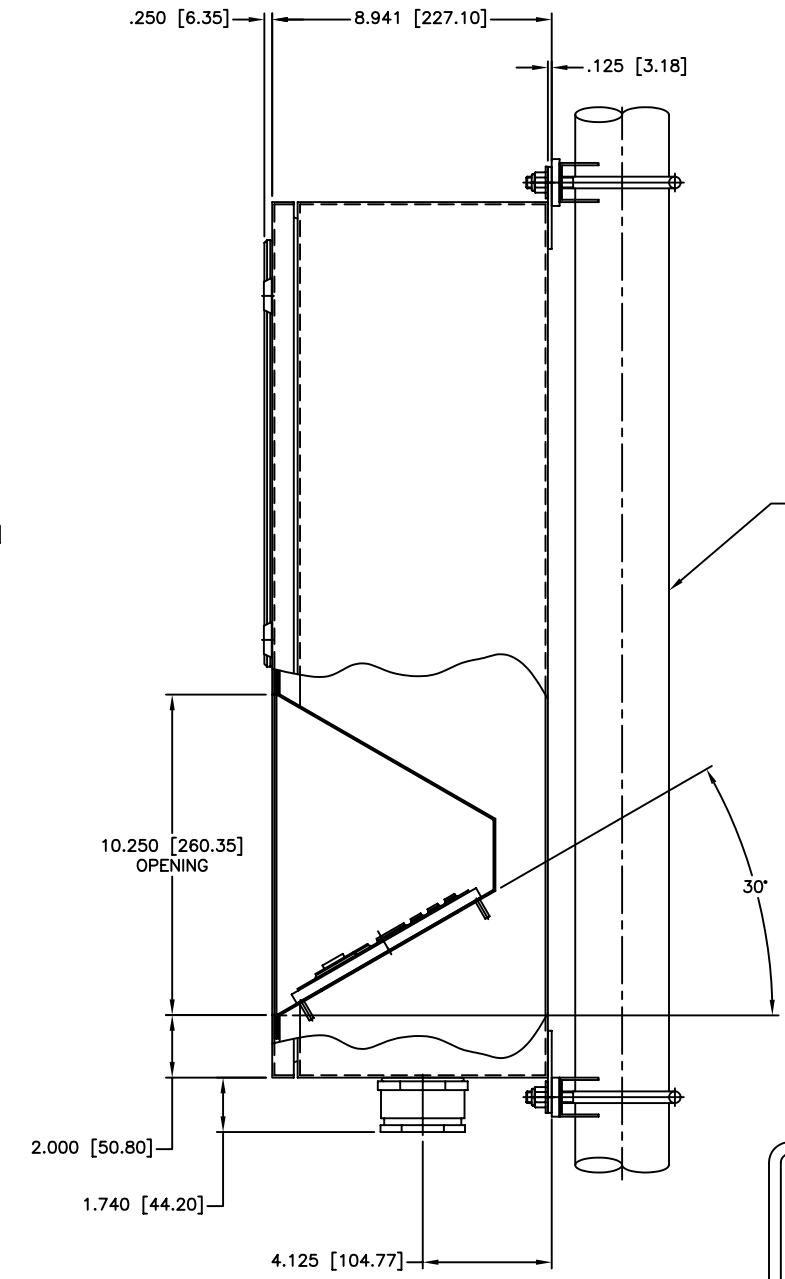


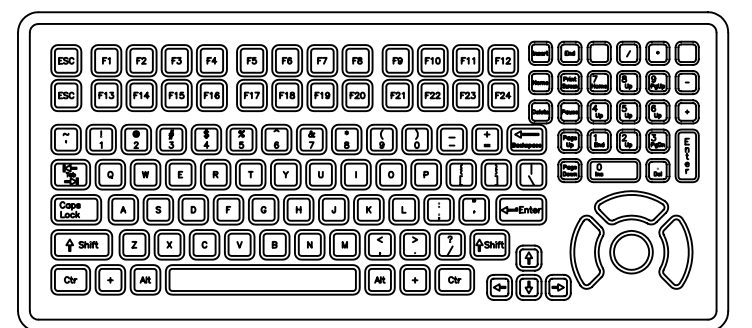
CHANGE HISTORY		
FILE INDEX	DESCRIPTION	APPROVAL INITIAL DATE
1	PRELIMINARY RELEASE	



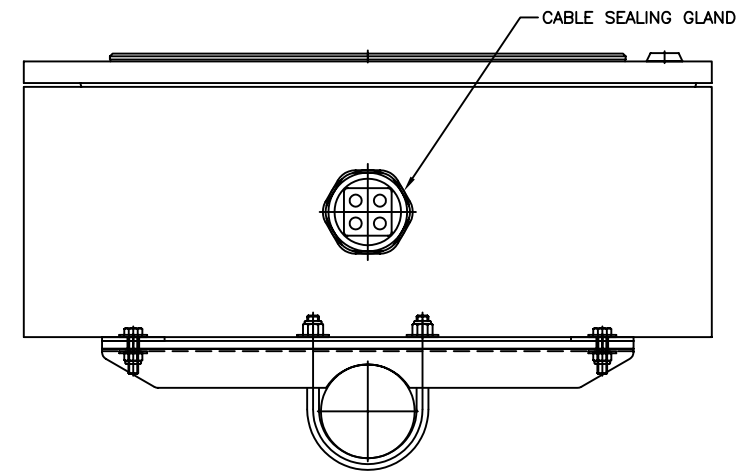
FRONT VIEW



SIDE VIEW



KEYBOARD DETAIL



BOTTOM VIEW

- NOTES:
1. ALL DIMENSIONS ARE NOMINAL AND FOR REFERENCE ONLY. THIS DRAWING SHOULD NOT BE USED FOR DESIGN PURPOSES.
 2. WEIGHT OF UNIT IS XX LBS.
 3. SHIPPING WEIGHT OF UNIT IS XX LBS.

ITEM	QTY	MFR. PT.NO.	DESCRIPTION	SYM/NOTE
LIST OF MATERIALS				
UNLESS OTHERWISE SPECIFIED DIMENSIONS ARE IN INCHES AND APPLY BEFORE FINISH SURFACE ROUGHNESS .125/ TOLERANCE ON FRACTIONS DECIMALS ANGLES		DRAWN DATE RVJ 09/29/05		VARTECH SYSTEMS
± 1/64 ±.XX=.02 ± 1/2		CHECKED		
MATERIAL		DRAFTING		
VT150WKS		ENGINEER		
USED ON		MANUF		OUTLINE DRAWING VT150WKS POLE MOUNTING
APPLICATION		APPROVED		
		QA		
SCALE 1 : 3			DWG NO. 601-0190	REV 1
			SHEET 1 OF 1	FILE NUMBER: 6010190-R1