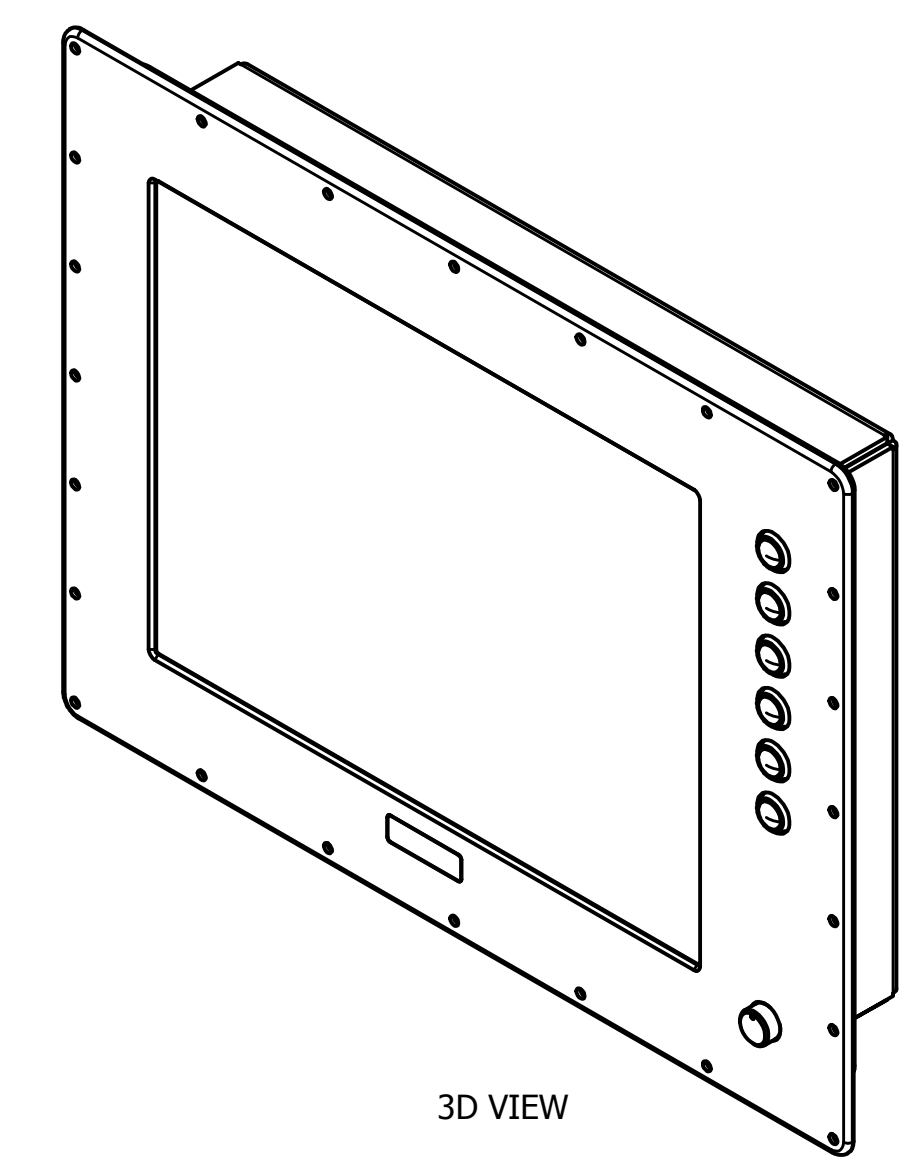
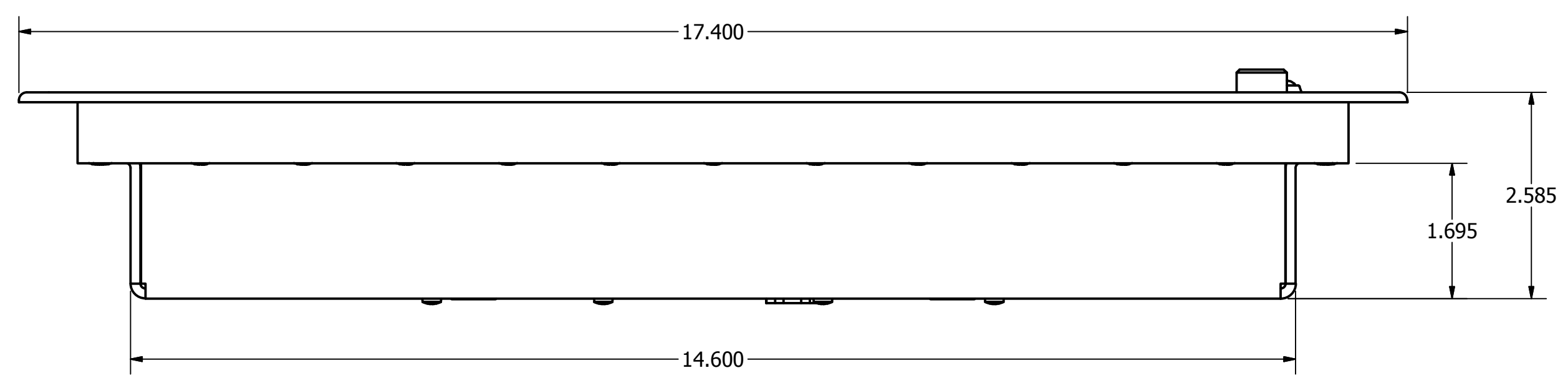
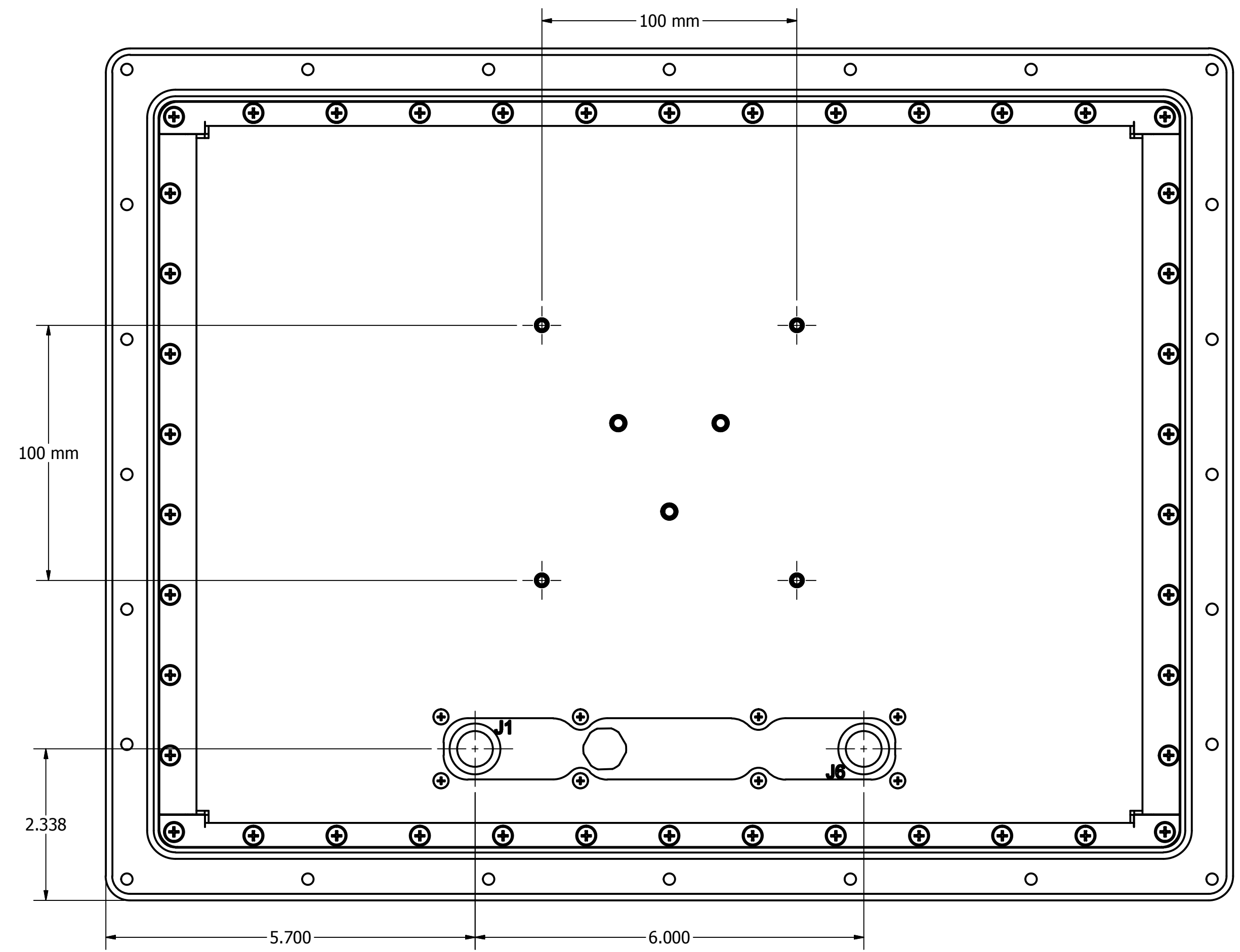
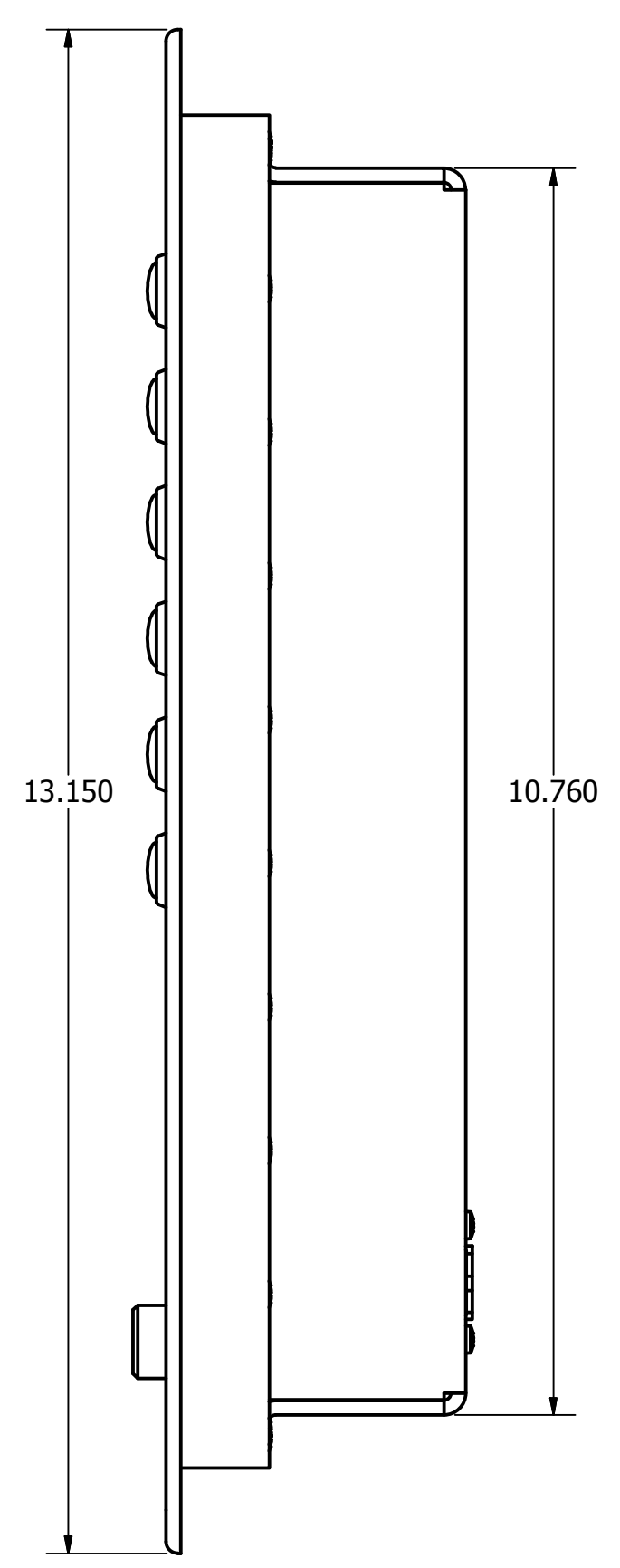
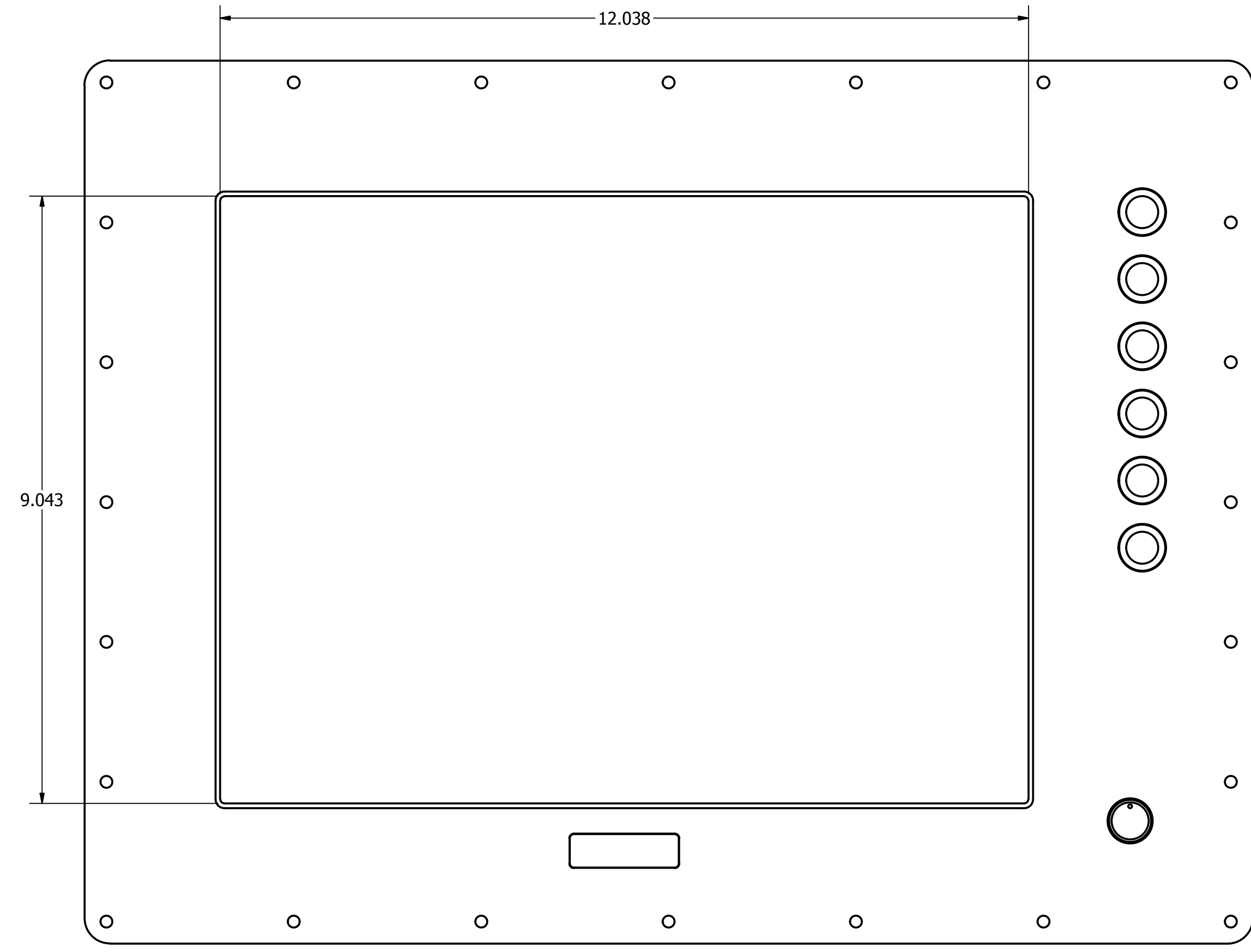



REVISION HISTORY			
REV	DESCRIPTION	INITIAL	DATE
1	NEW RELEASE	JAC	8/16/2010



3D VIEW

DRAWN	ACarlton	8/16/2010	 VARTECH SYSTEMS			
CHECKED						
QA			TITLE OUTLINE DRAWING, FLUSH MOUNT, REAR EIXT, XGA, 15.0"			
MFG						
APPROVED						
USED ON	MATERIAL:		SIZE D	TOLERANCES: .XX = .01 .XXX = .005	DWG NO 482-0095-00	REV 1
APPLICATION			FINISH:		SHEET 1 OF 1	