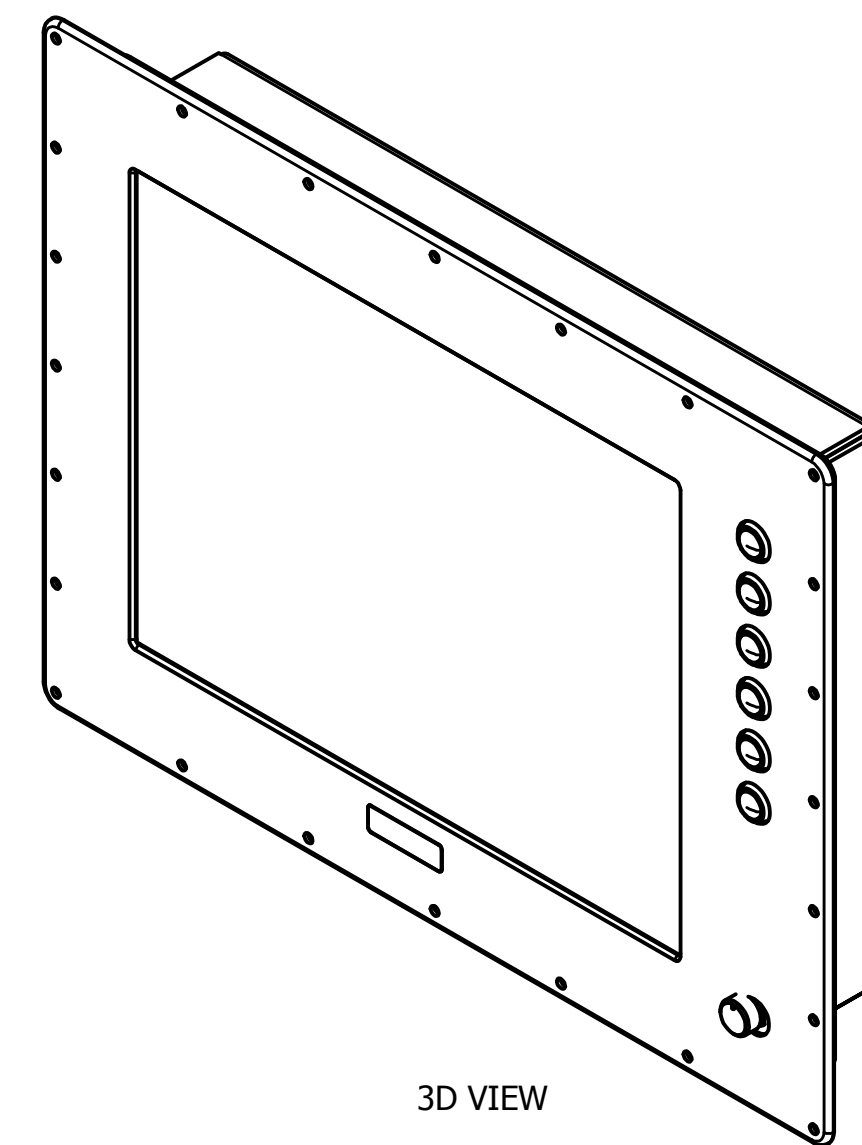
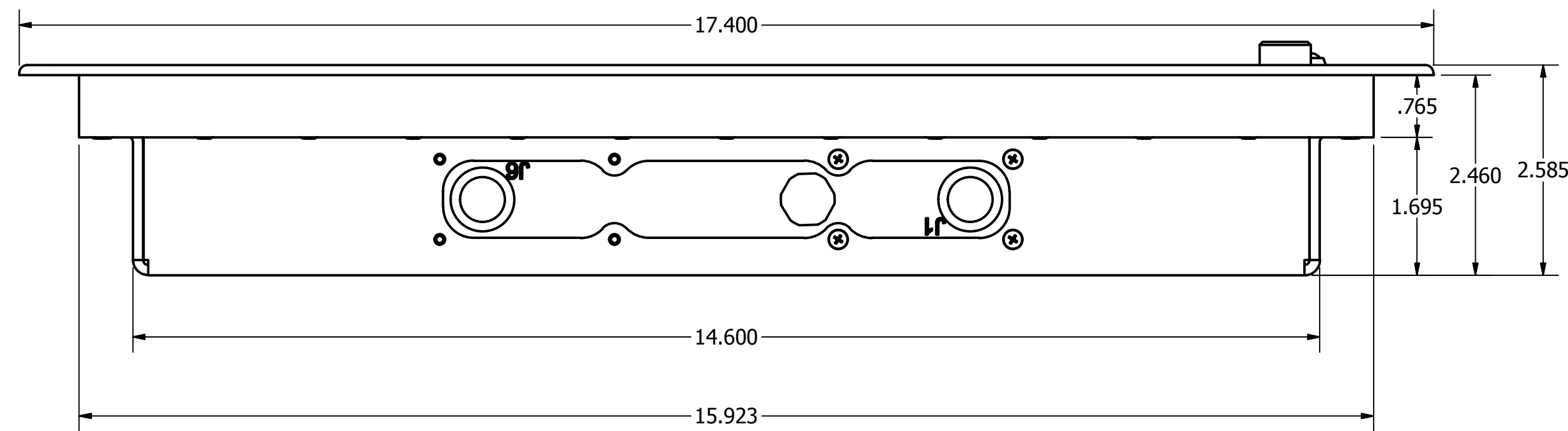
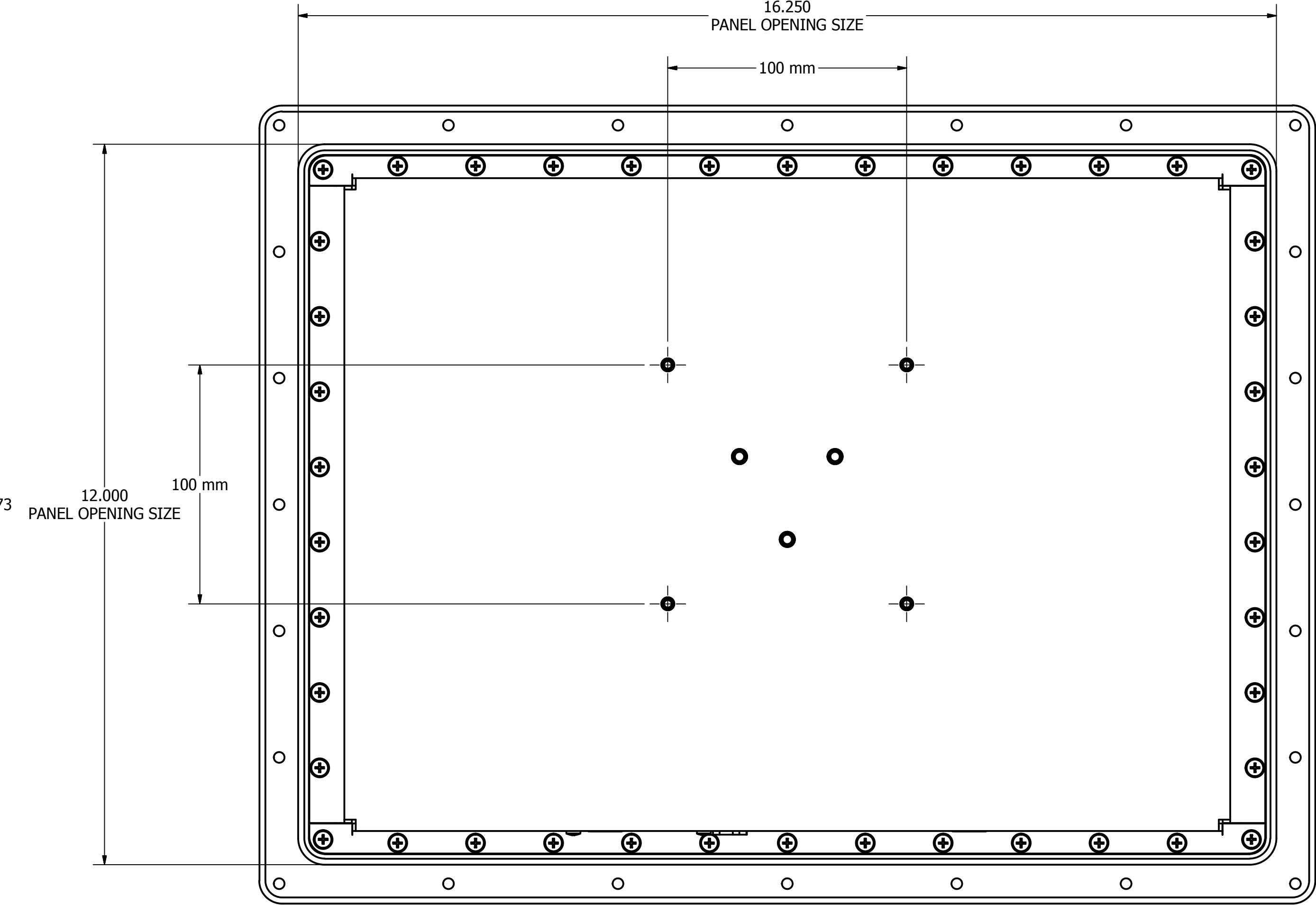
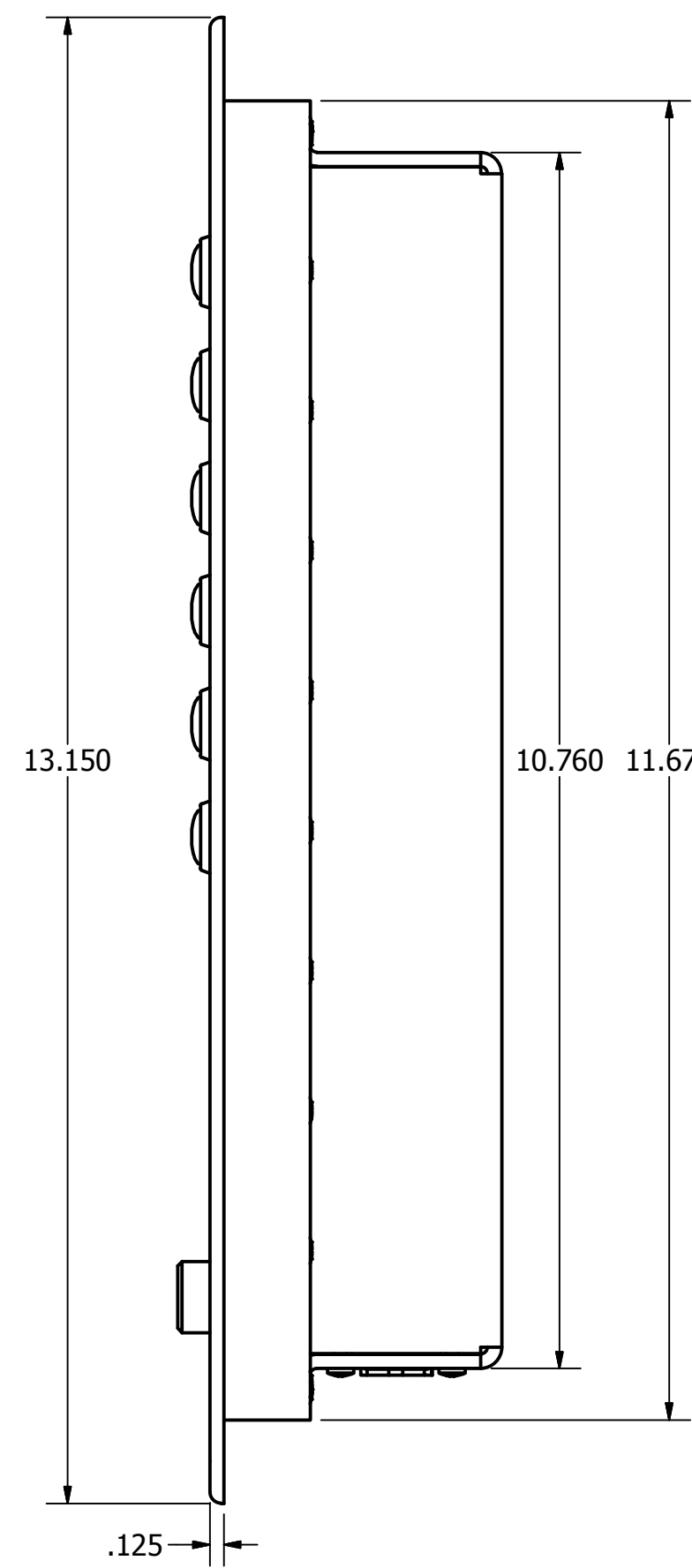
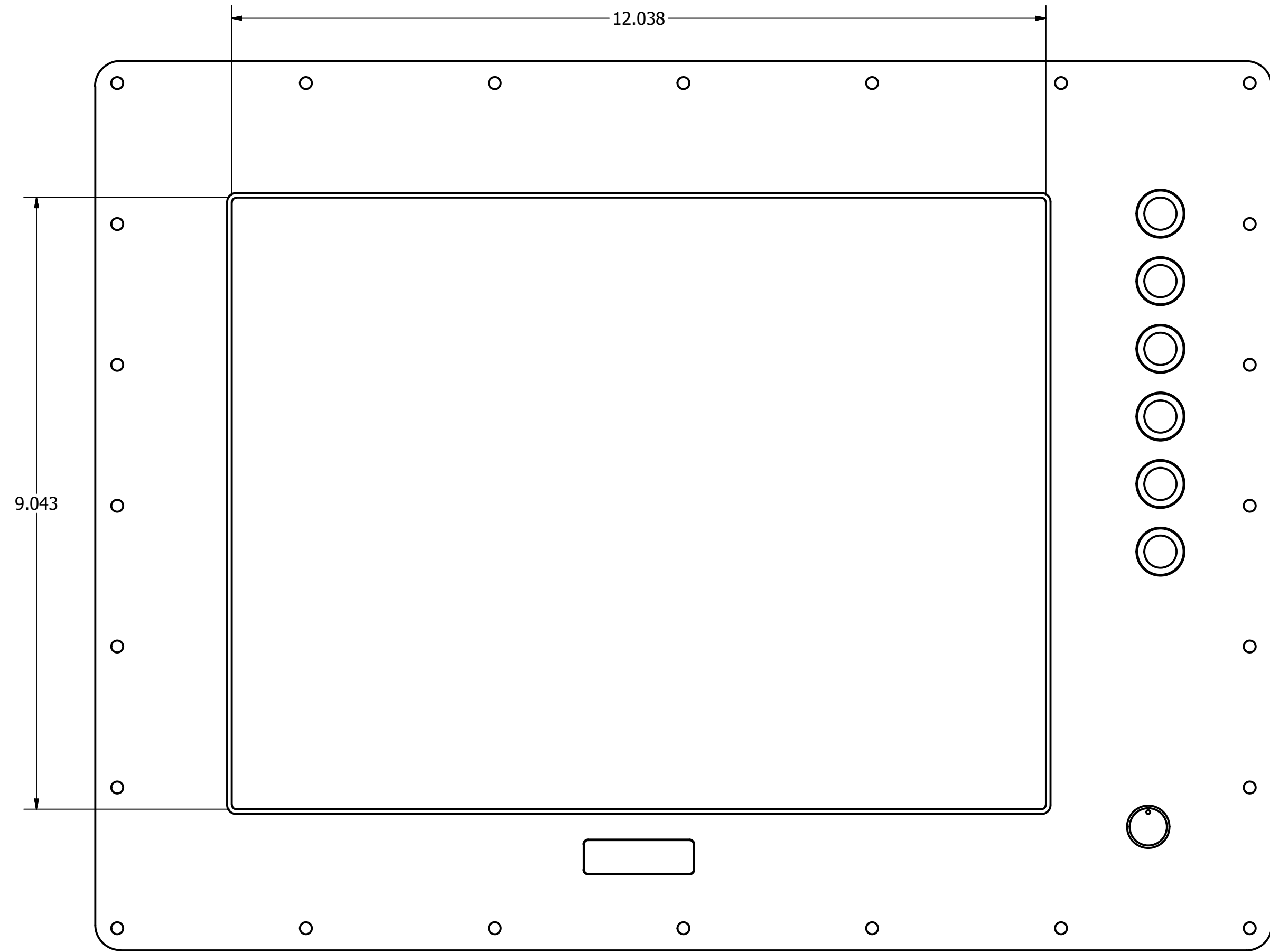


REVISION HISTORY			
REV	DESCRIPTION	INITIAL	DATE
1	NEW RELEASE	JAC	5/26/2010
2	UPDATED PARTS	JAC	9/8/2010



DRAWN	A Carlton	5/26/2010	 <b>VARTECH SYSTEMS</b>			
CHECKED						
QA			TITLE <b>OUTLINE DRAWING, XGA, 15.0"</b>			
MFG						
APPROVED						
USED ON	MATERIAL:		SIZE <b>D</b>	TOLERANCES: .XX = .01 .XXX = .005	DWG NO <b>482-0071-00-02</b>	REV <b>2</b>
APPLICATION			FINISH: SHEET 1 OF 1			