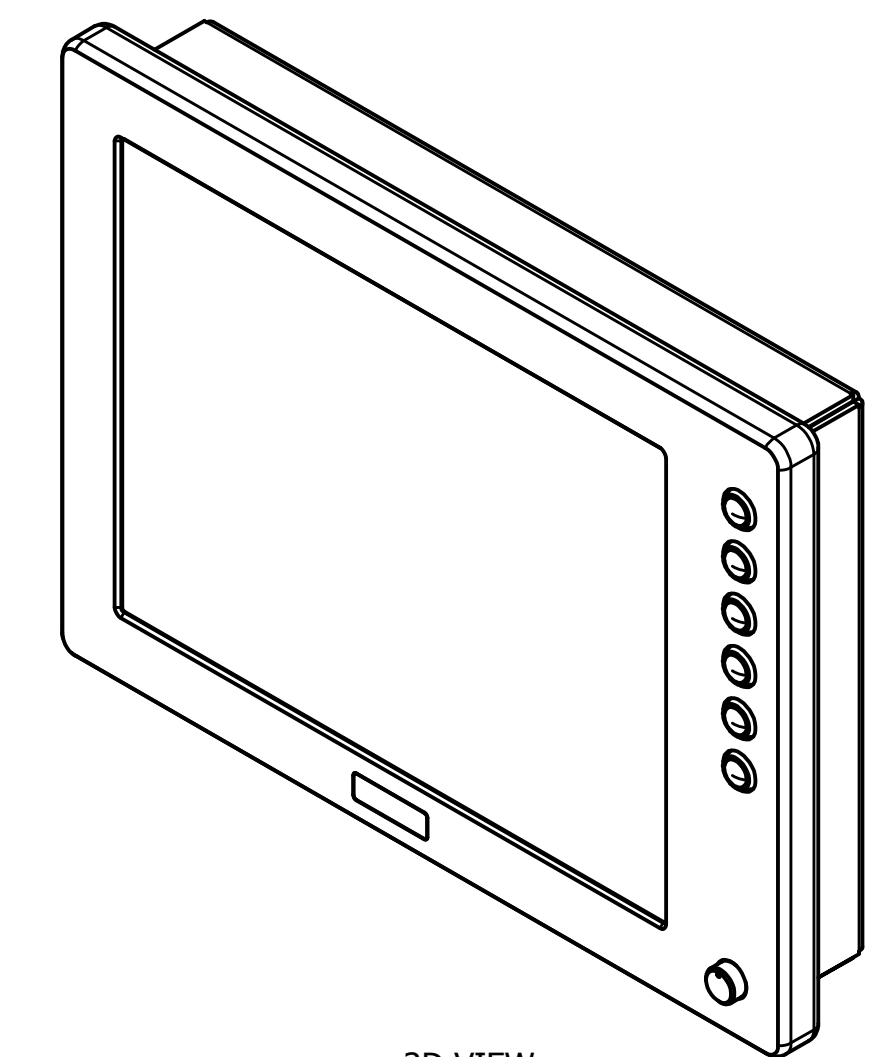
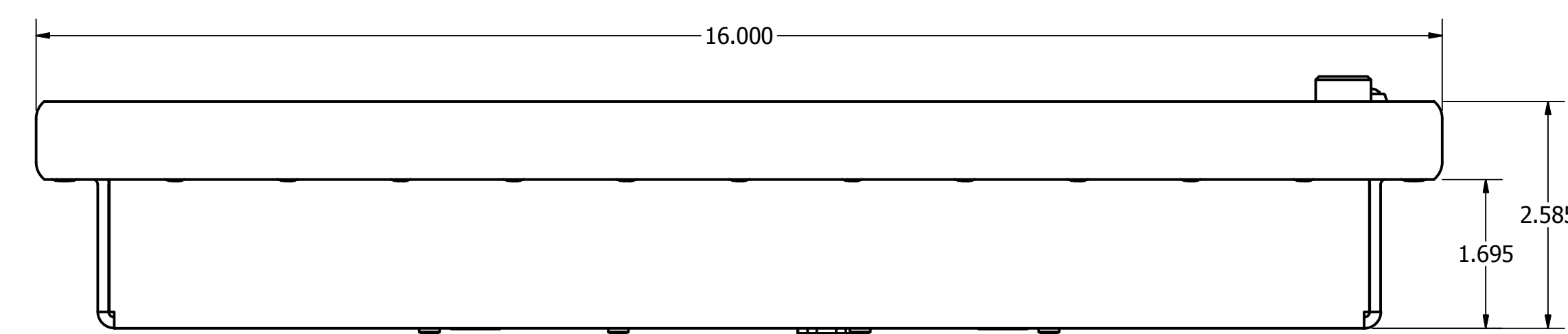
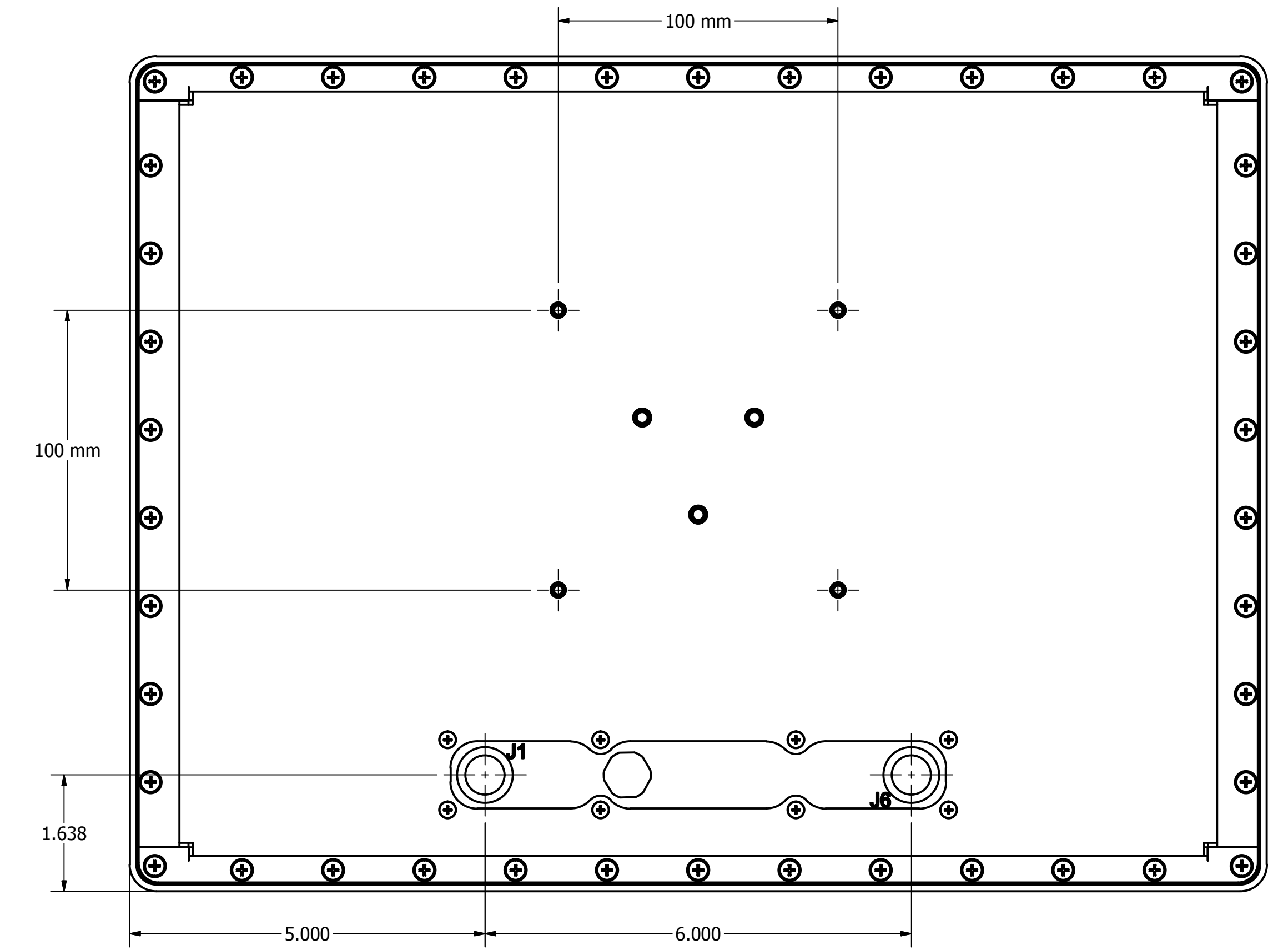
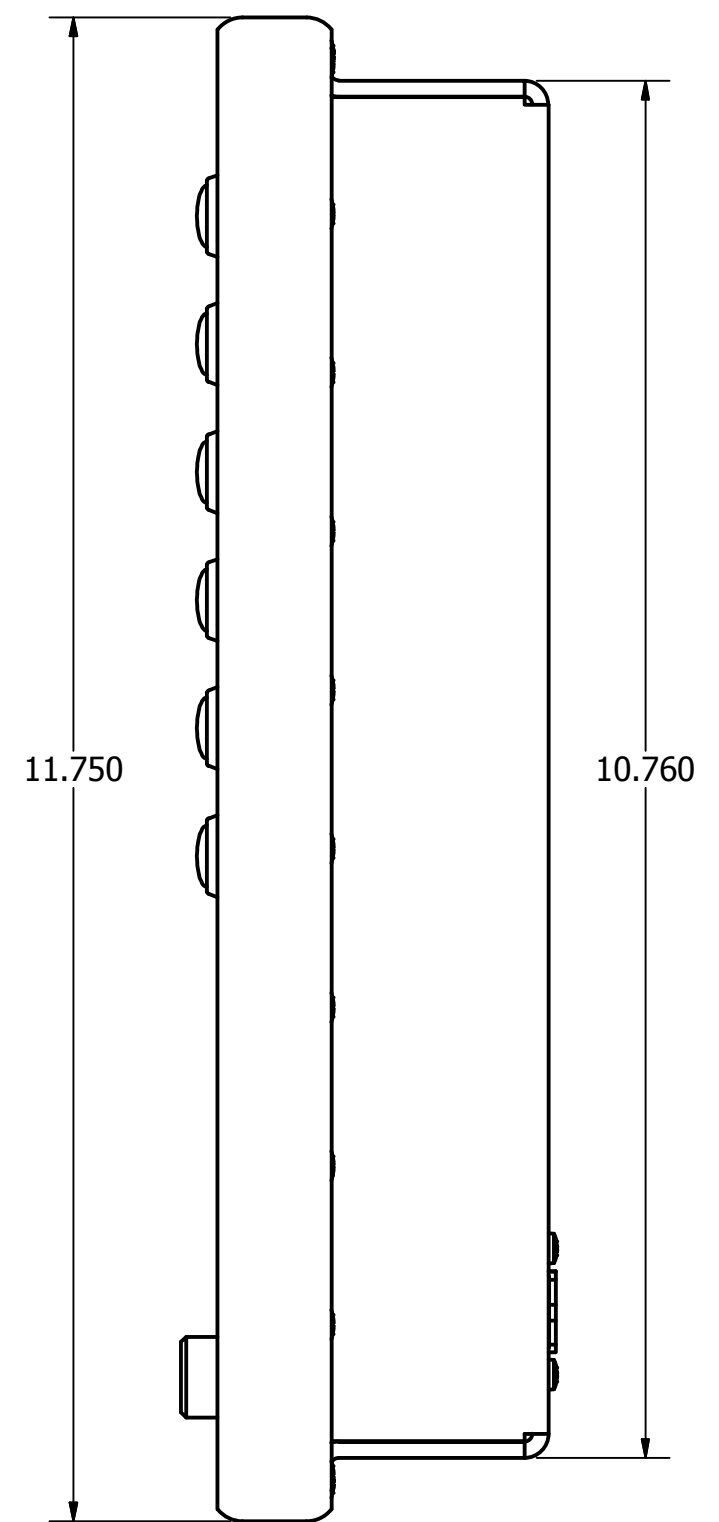
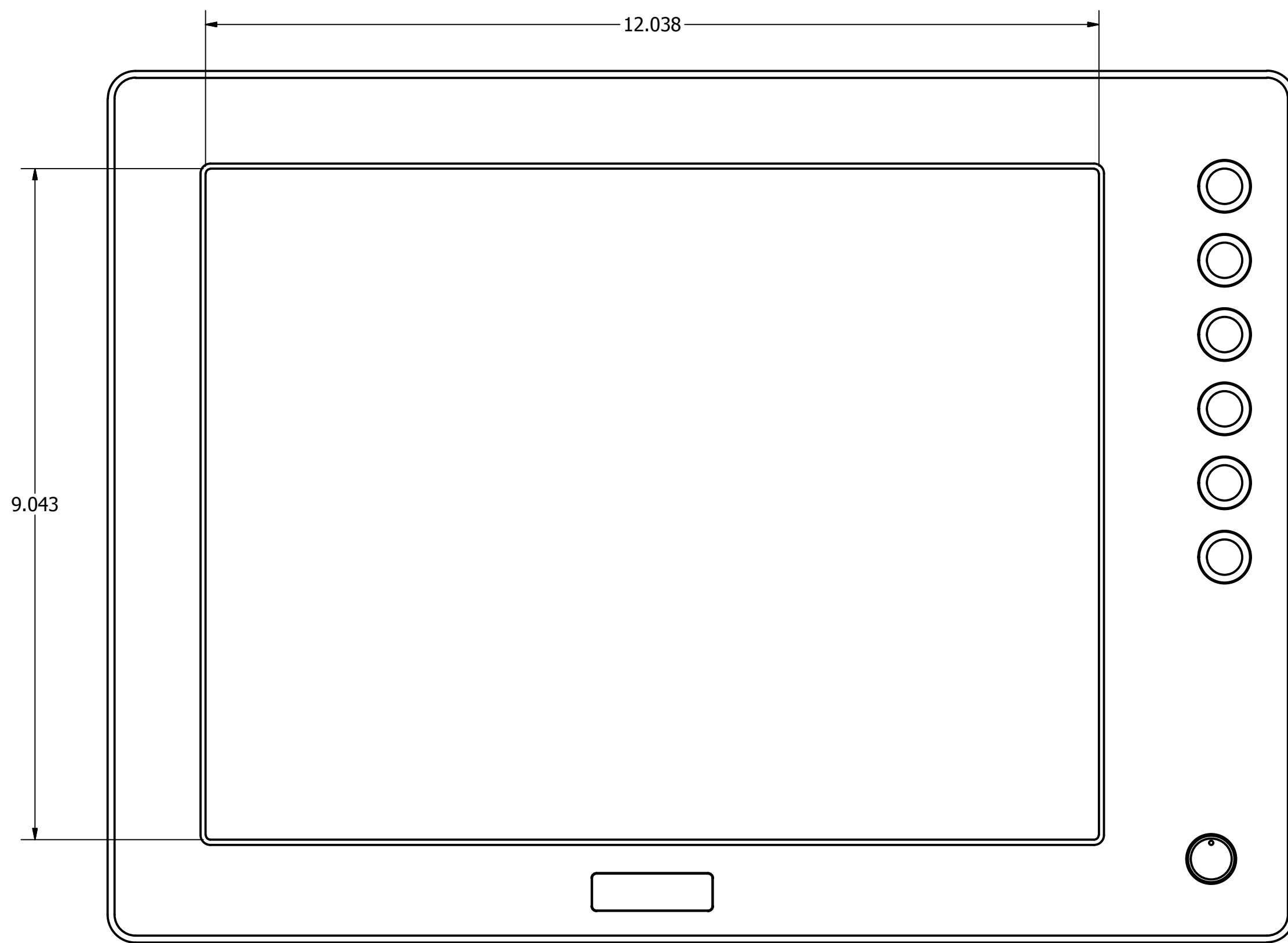



REVISION HISTORY			
REV	DESCRIPTION	INITIAL	DATE
1	NEW RELEASE	JAC	8/16/2010

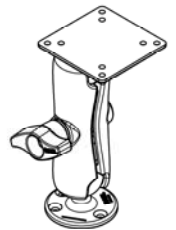
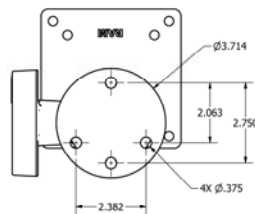
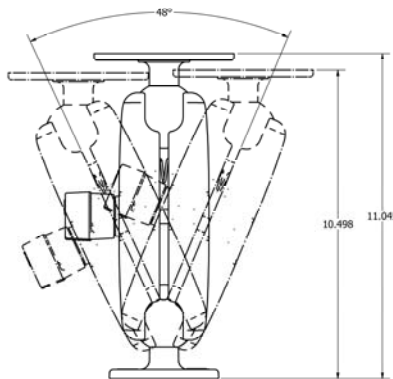
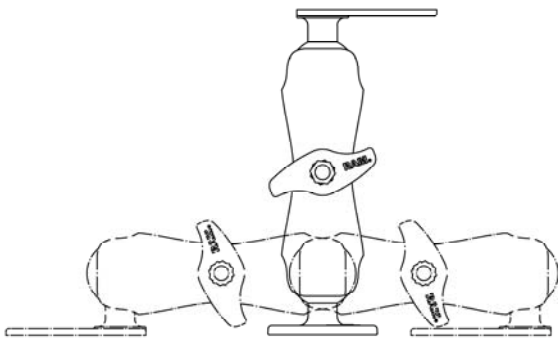
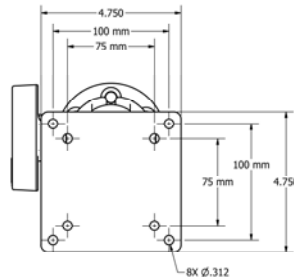


3D VIEW

DRAWN	ACarlton	8/16/2010	 <b>VARTECH SYSTEMS</b>			
CHECKED						
QA			TITLE			
MFG			OUTLINE DRAWING, REAR EXIT, XGA, 15.0"			
APPROVED			SIZE	TOLERANCES:	DWG NO	REV
USED ON	MATERIAL:		D	.XX = .01 .XXX = .005	482-0091-00	1
APPLICATION			FINISH:			SHEET 1 OF 1



## RAM Mount Type for VT121XA4 and VT151XB4



**HEADQUARTERS**  
11529 Sun Belt Ct.  
Baton Rouge, Louisiana 70809

**Phone** 800.223.8050  
**International** 001.225.298.0300  
**Fax** 225.297.2440

**E-mail** sales@vartechsystems.com  
**Website** www.vartechsystems.com