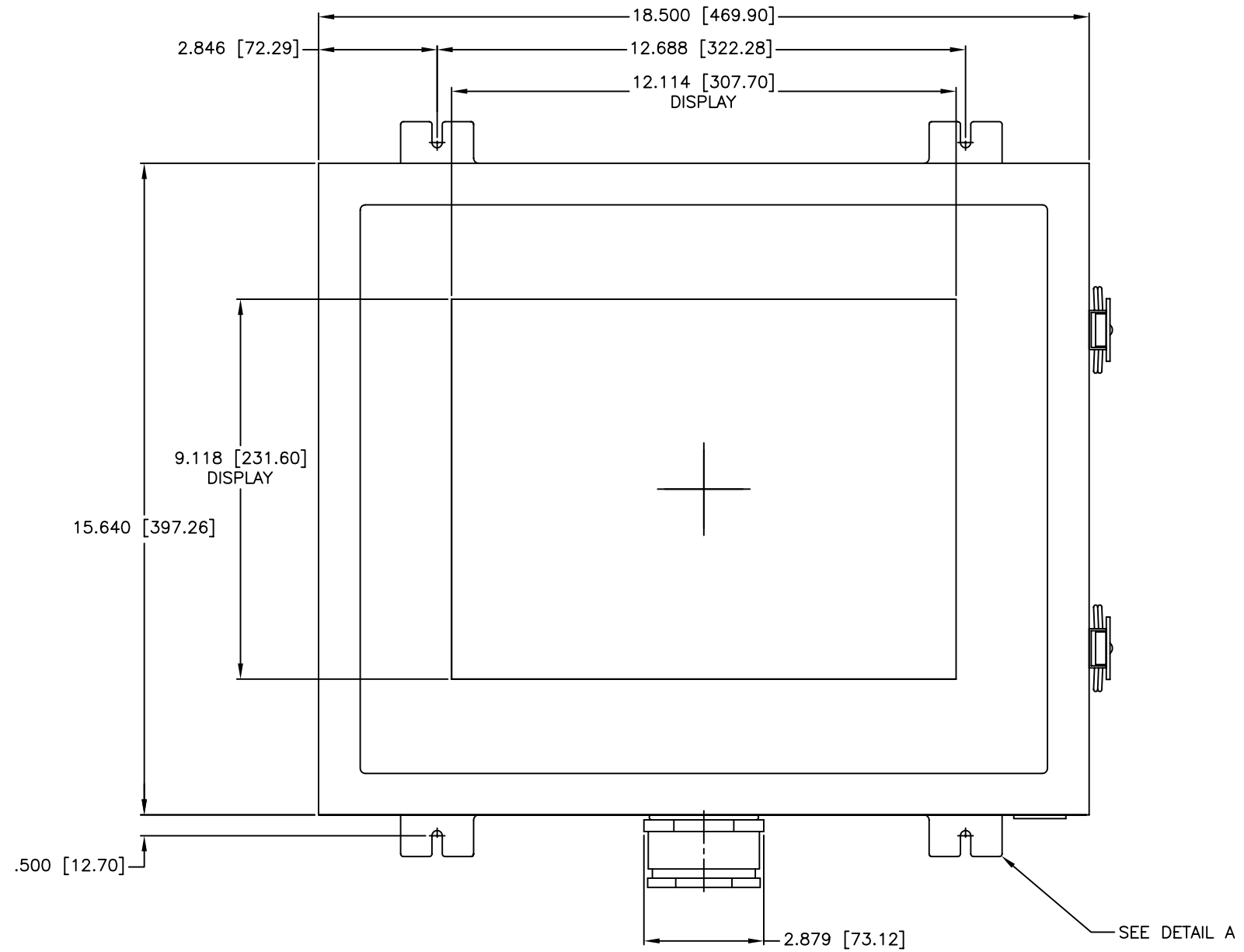
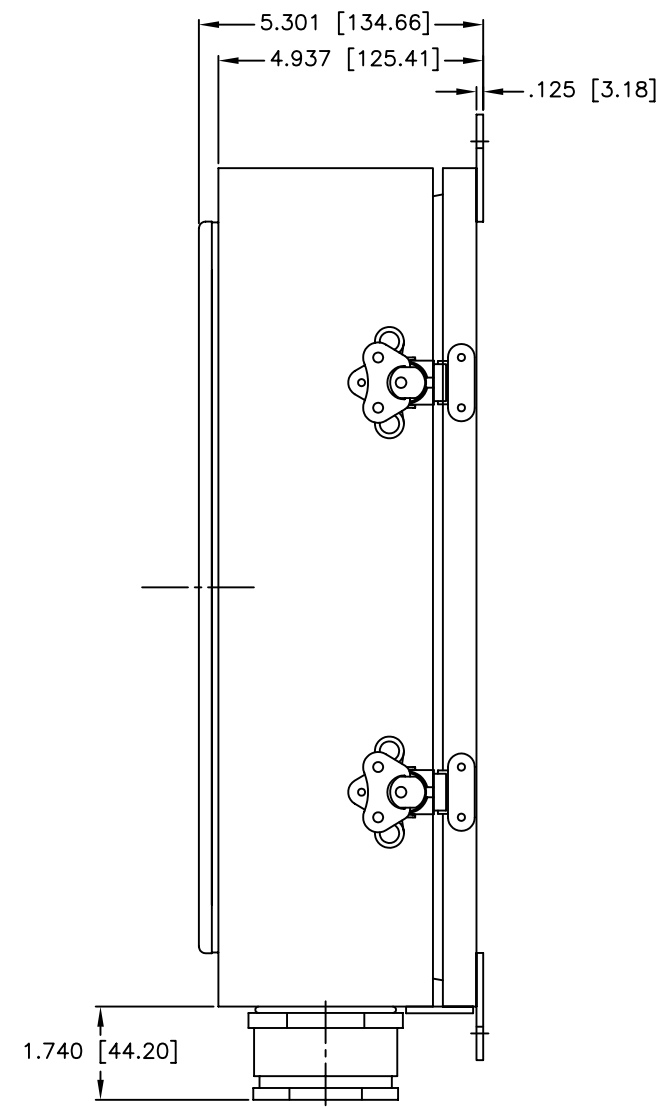


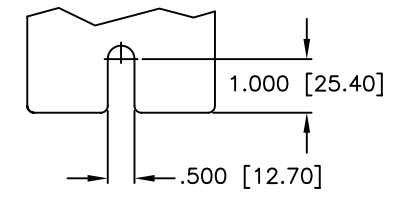
CHANGE HISTORY		
FILE INDEX	DESCRIPTION	APPROVAL INITIAL DATE
A	PRELIMINARY RELEASE	



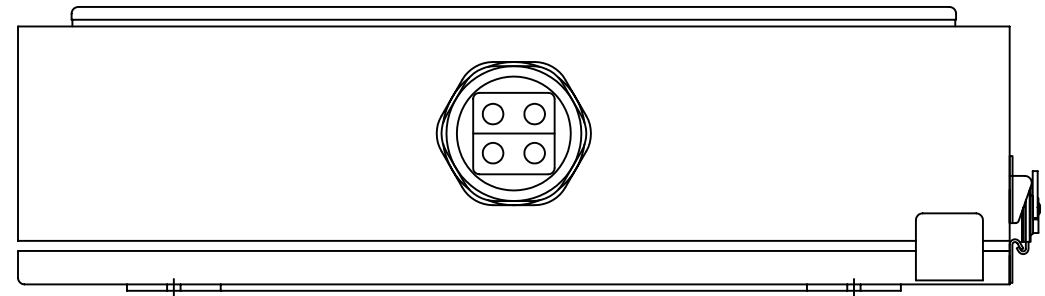
FRONT VIEW



SIDE VIEW



DETAIL A
 SCALE 2 : 1



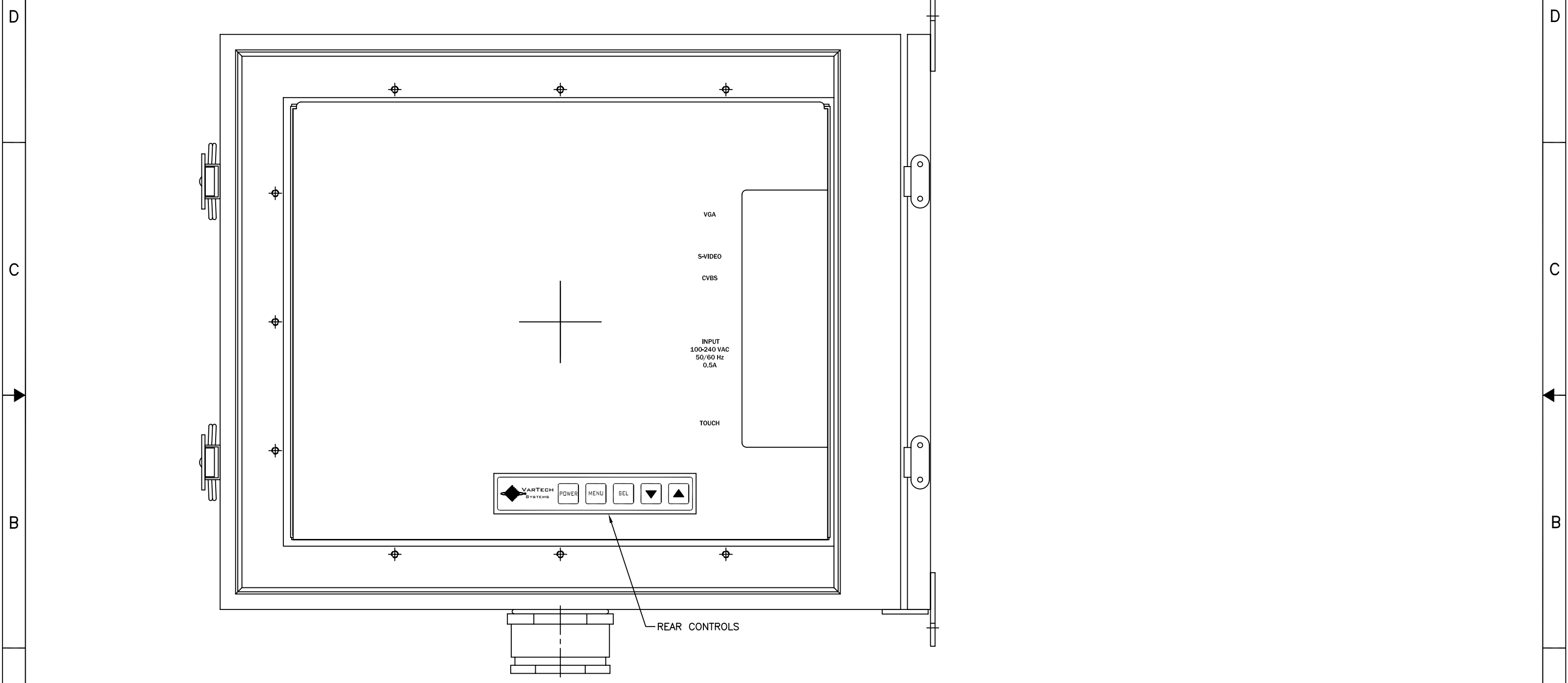
BOTTOM VIEW

- NOTES:**
1. ALL DIMENSIONS ARE NOMINAL AND FOR REFERENCE ONLY. THIS DRAWING SHOULD NOT BE USED FOR DESIGN PURPOSES.
 2. WEIGHT OF UNIT IS 40 LBS.
 3. SHIPPING WEIGHT OF UNIT IS 45 LBS.

ITEM	QTY	MFR. PT.NO.	DESCRIPTION	SYM/NOTE
LIST OF MATERIALS				
UNLESS OTHERWISE SPECIFIED DIMENSIONS ARE IN INCHES AND APPLY BEFORE FINISH SURFACE ROUGHNESS .125/ TOLERANCE ON FRACTIONS DECIMALS ANGLES ± 1/64 ± .XX=.02 ± 1/2 ± .XXX=.005		DRAWN DMS	DATE 7-27-04	 VARTECH SYSTEMS OUTLINE DRAWING VT150WESS
		CHECKED		
		DRAFTING		
		ENGINEER		
		MANUF		
		APPROVED		SIZE D
		QA		DWG NO. 601-0127
VT150WESS USED ON APPLICATION		FINISH		REV A
			SCALE 1 : 1.75	SHEET 1 OF 2

8 7 6 5 4 3 2 1

CHANGE HISTORY		
FILE INDEX	DESCRIPTION	APPROVAL INITIAL DATE
A	PRELIMINARY RELEASE	



REAR VIEW WITH DOOR OPEN

ITEM	QTY	MFR. PT.NO.	DESCRIPTION	SYM/NOTE
LIST OF MATERIALS				
UNLESS OTHERWISE SPECIFIED DIMENSIONS ARE IN INCHES AND APPLY BEFORE FINISH SURFACE ROUGHNESS .125/ TOLERANCE ON		DRAWN	DATE	VARTECH SYSTEMS OUTLINE DRAWING VT150WESS
FRACTIONS DECIMALS ANGLES		CHECKED		
± 1/64 ±.XX=.02 ± 1/2		DRAFTING		
		ENGINEER		
MATERIAL		MANUF		
VT150WESS		APPROVED		
USED ON		QA		
APPLICATION				
		SIZE	DWG NO.	REV
		D	601-0127	A
SCALE 1 : 1.25			SHEET 2 OF 2	

8 7 6 5 4 3 2 1