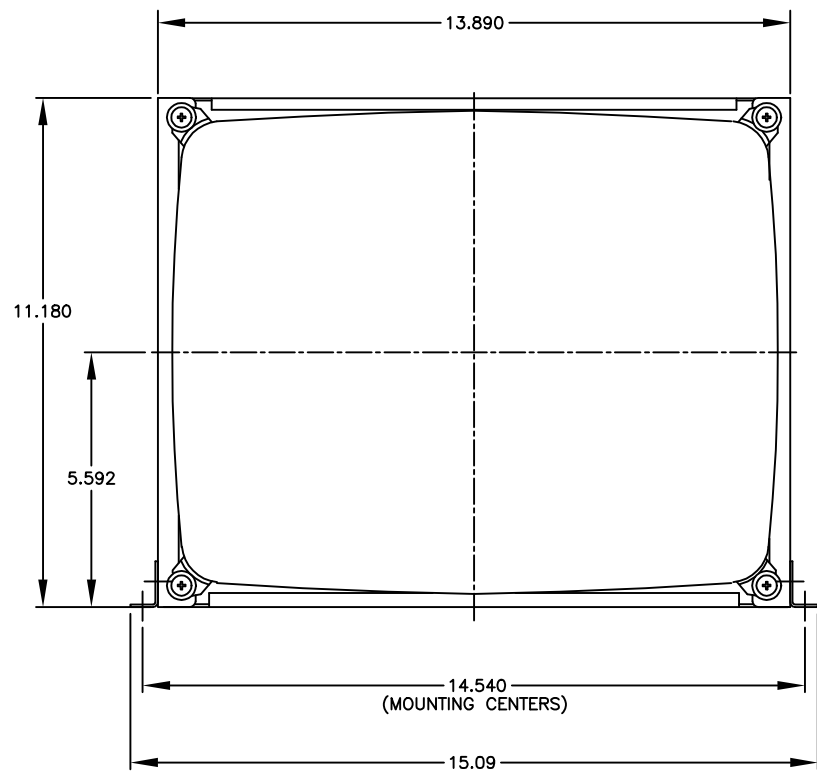
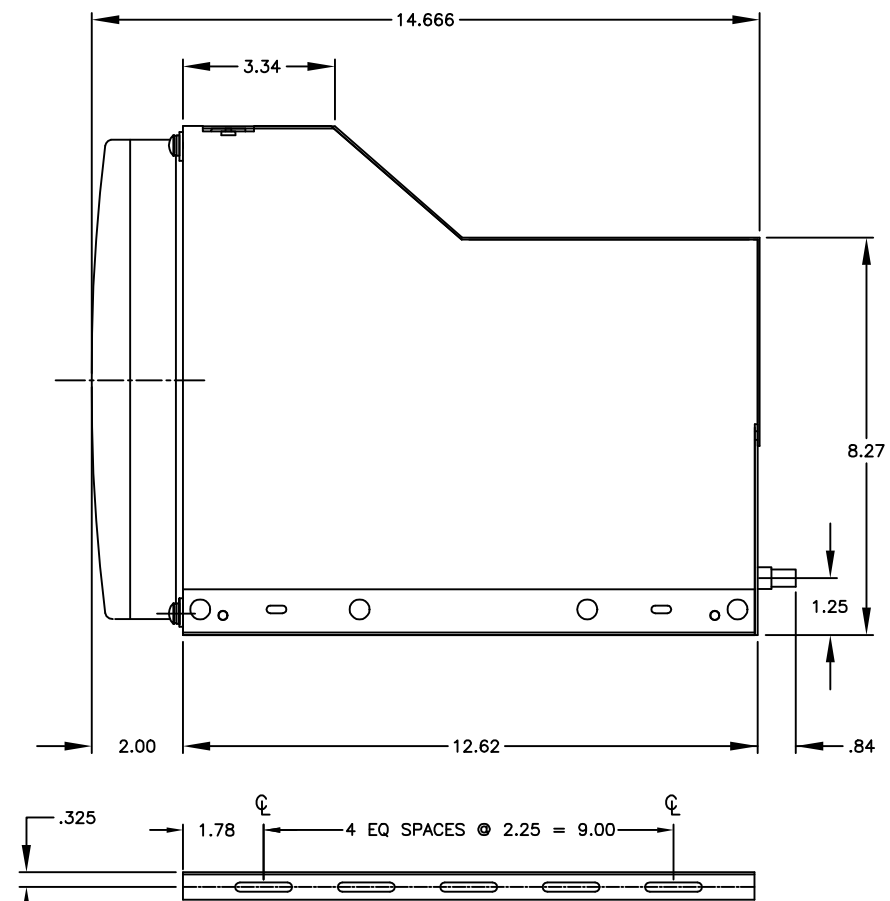


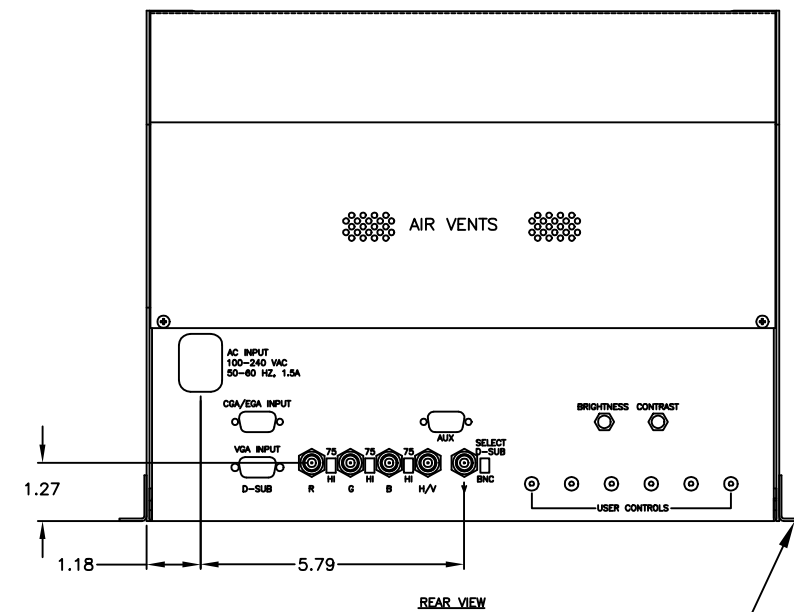
CHANGE HISTORY		
FILE INDEX	DESCRIPTION	APPROVAL INITIAL DATE
1	PRELIMINARY RELEASE	



FRONT VIEW



PLAN VIEW MTG ANGLE



REAR VIEW

DETACHABLE SIDE BRACKETS

NOTES:
 1- ALL DIMENSIONS ARE NOMINAL AND FOR REFERENCE ONLY. THIS DRAWING SHOULD NOT BE USED FOR DESIGN PURPOSES.
 2- UNIT WEIGHT: APPROX. 32 LBS (CONFIGURED AS SHOWN)

QTY	ITEM	MFR. PT.NO.	DESCRIPTION	SYM/NOTE
LIST OF MATERIALS				
	UNLESS OTHERWISE SPECIFIED DIMENSIONS ARE IN INCHES AND APPLY BEFORE FINISH SURFACE ROUGHNESS .125/ TOLERANCE ON FRACTIONS DECIMALS ANGLES	DRAWN RKH	DATE 18MAR02	VARTECH DISPLAYS INC OUTLINE DRAWING VT15A-C
		CHECKED		
		DRAFTING		
		ENGINEER		
	MATERIAL	MANUF		
	FINISH	APPROVED		
	APPLICATION	QA		
VT15A-C			SIZE D	DWG NO. 600-2041
USED ON			SCALE 1 : 2	REV 1
				SHEET 1 OF 1