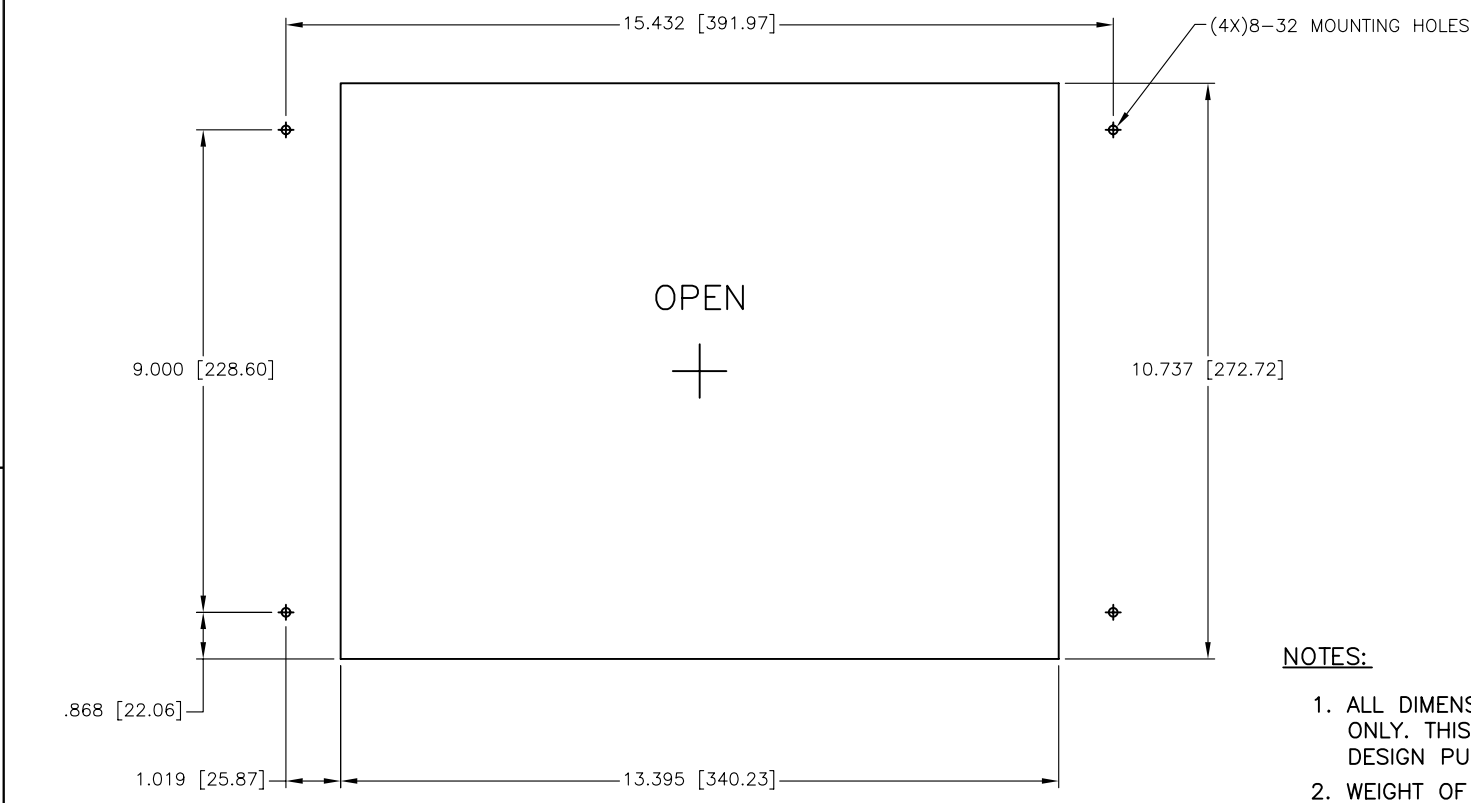
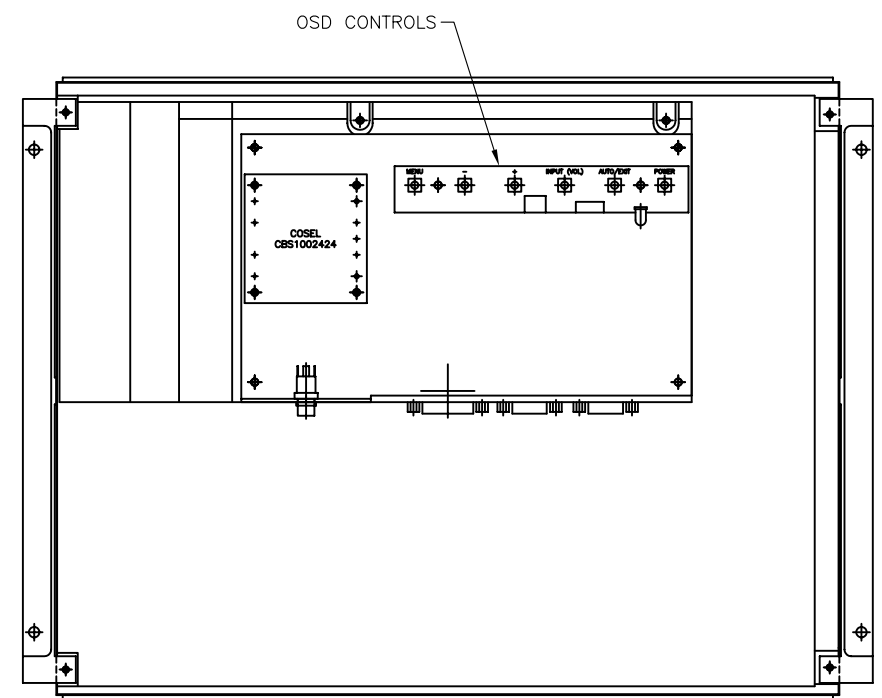
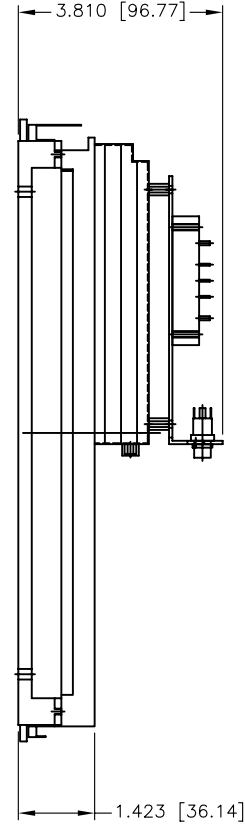
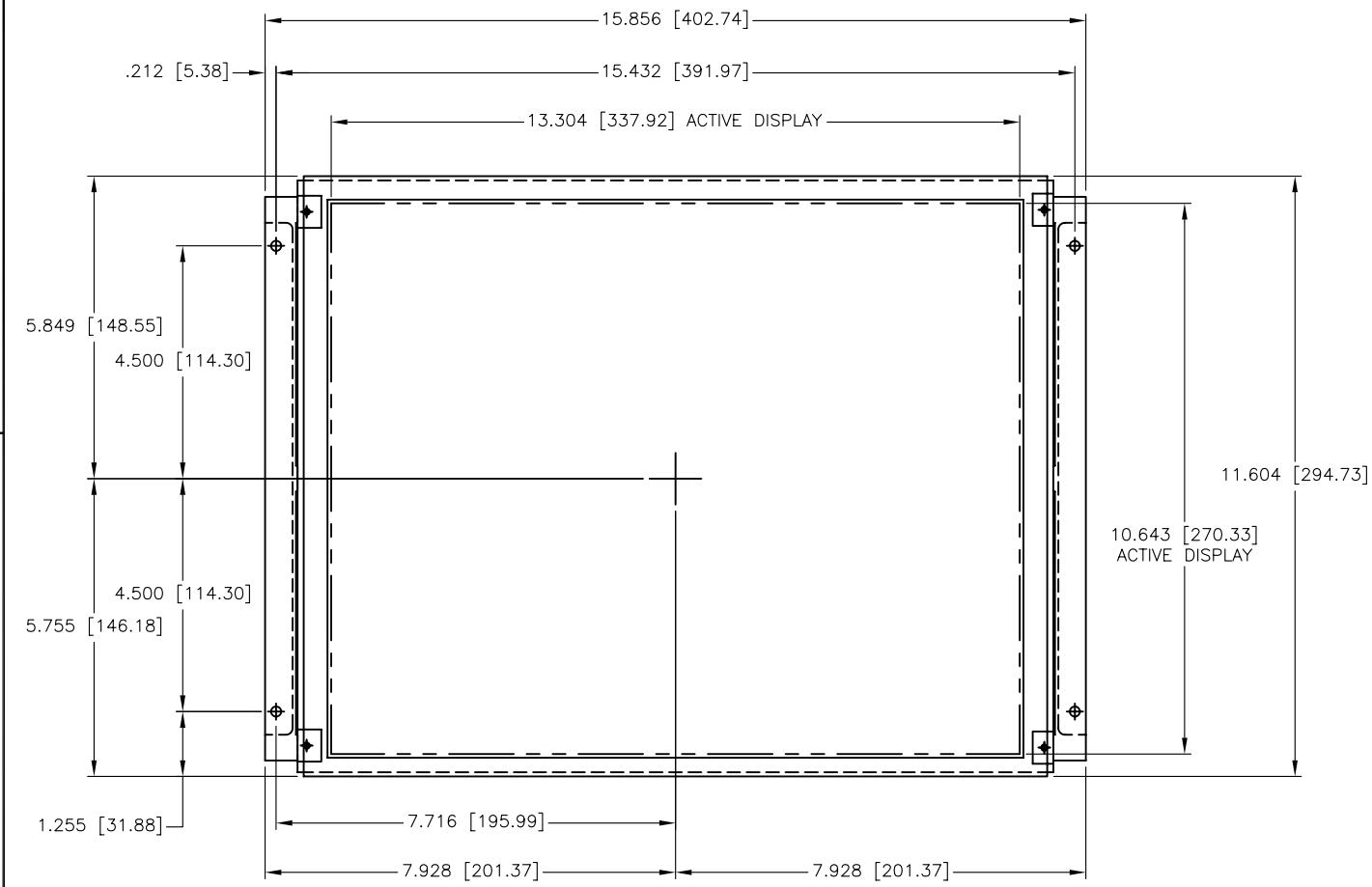
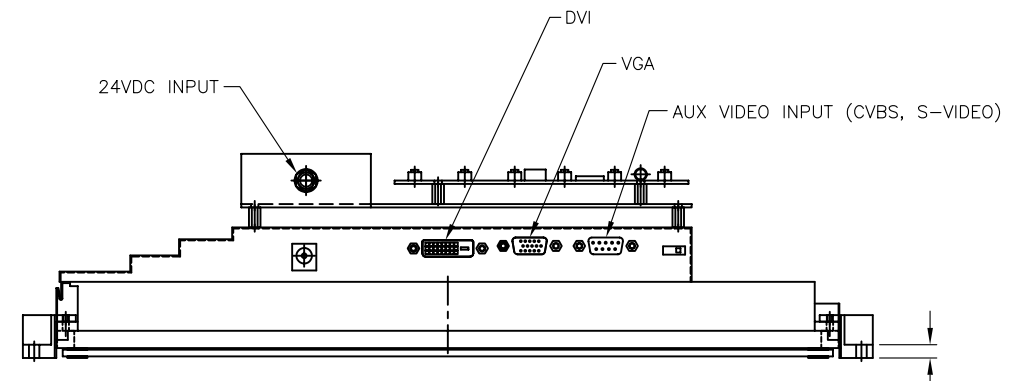


CHANGE HISTORY		
FILE INDEX	DESCRIPTION	APPROVAL INITIAL DATE
1	PRELIMINARY RELEASE	



- NOTES:
1. ALL DIMENSIONS ARE NOMINAL AND FOR REFERENCE ONLY. THIS DRAWING SHOULD NOT BE USED FOR DESIGN PURPOSES.
  2. WEIGHT OF UNIT IS 7 LBS.
  3. SHIPPING WEIGHT OF UNIT IS 15 LBS.



ITEM	QTY	MFR. PT.NO.	DESCRIPTION	SYM/NOTE
LIST OF MATERIALS				
UNLESS OTHERWISE SPECIFIED DIMENSIONS ARE IN INCHES AND APPLY BEFORE FINISH SURFACE ROUGHNESS .125/ TOLERANCE ON FRACTIONS   DECIMALS   ANGLES		DRAWN DATE RVJ 12/14/05		<b>VARTECH SYSTEMS</b>
± 1/64   ±.XX=.02   ± 1/2		CHECKED		
MATERIAL		DRAFTING		
FINISH		ENGINEER		
VT170CHB		MANUF		OUTLINE DRAWING VT170CHB
USED ON		APPROVED		
APPLICATION		QA		
		SIZE D		DWG NO. 601-0199
		SCALE 1 : 1.75		REV 1
		FILE NUMBER: 6010199-R1		SHEET 1 OF 1