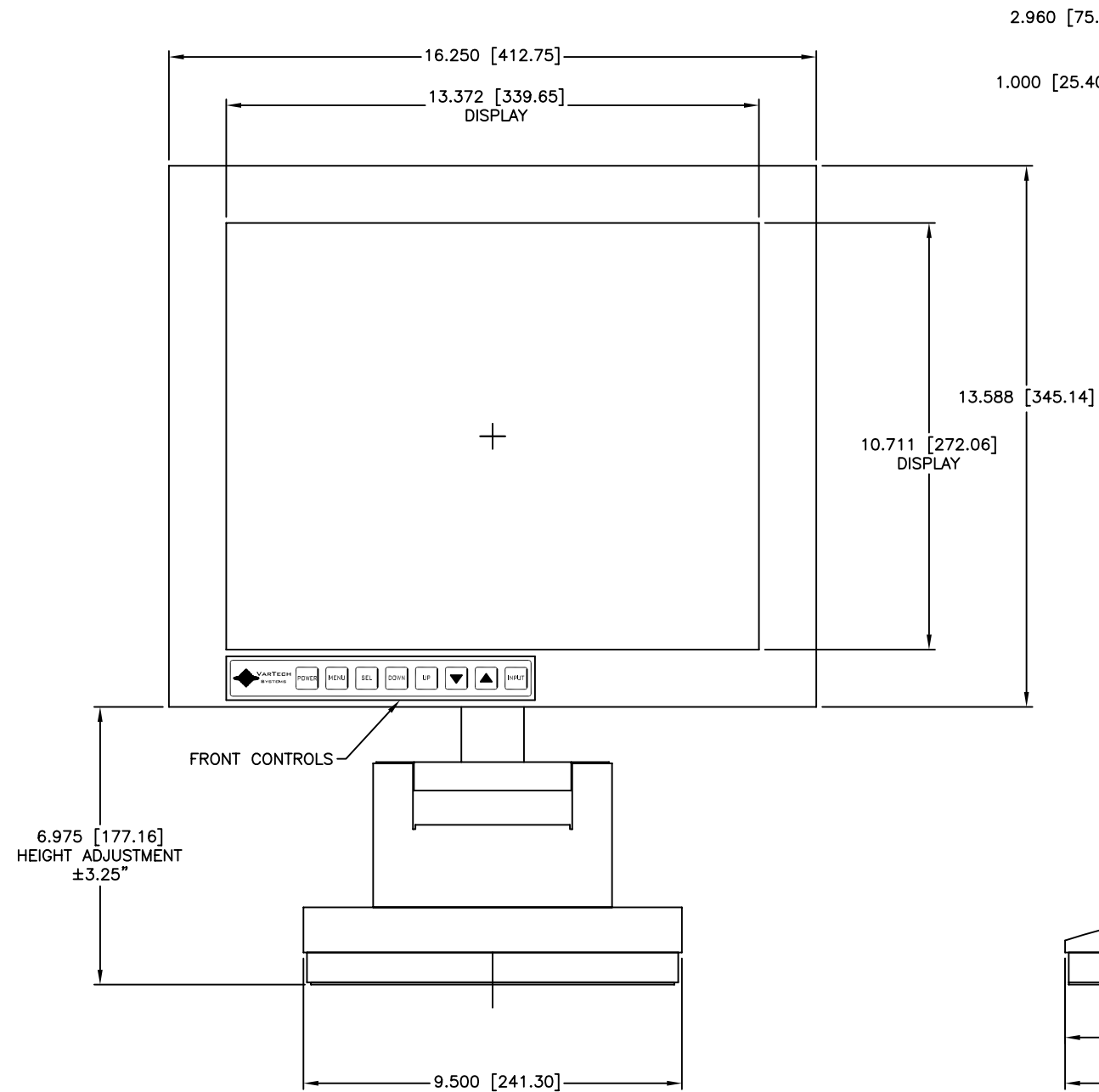
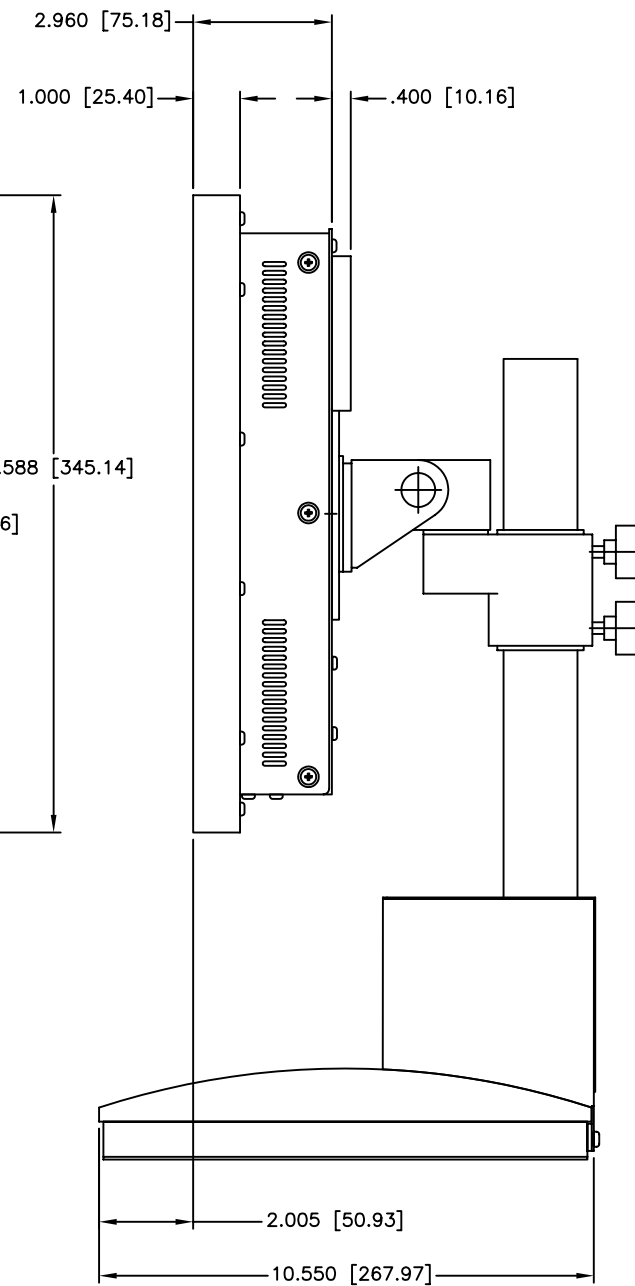


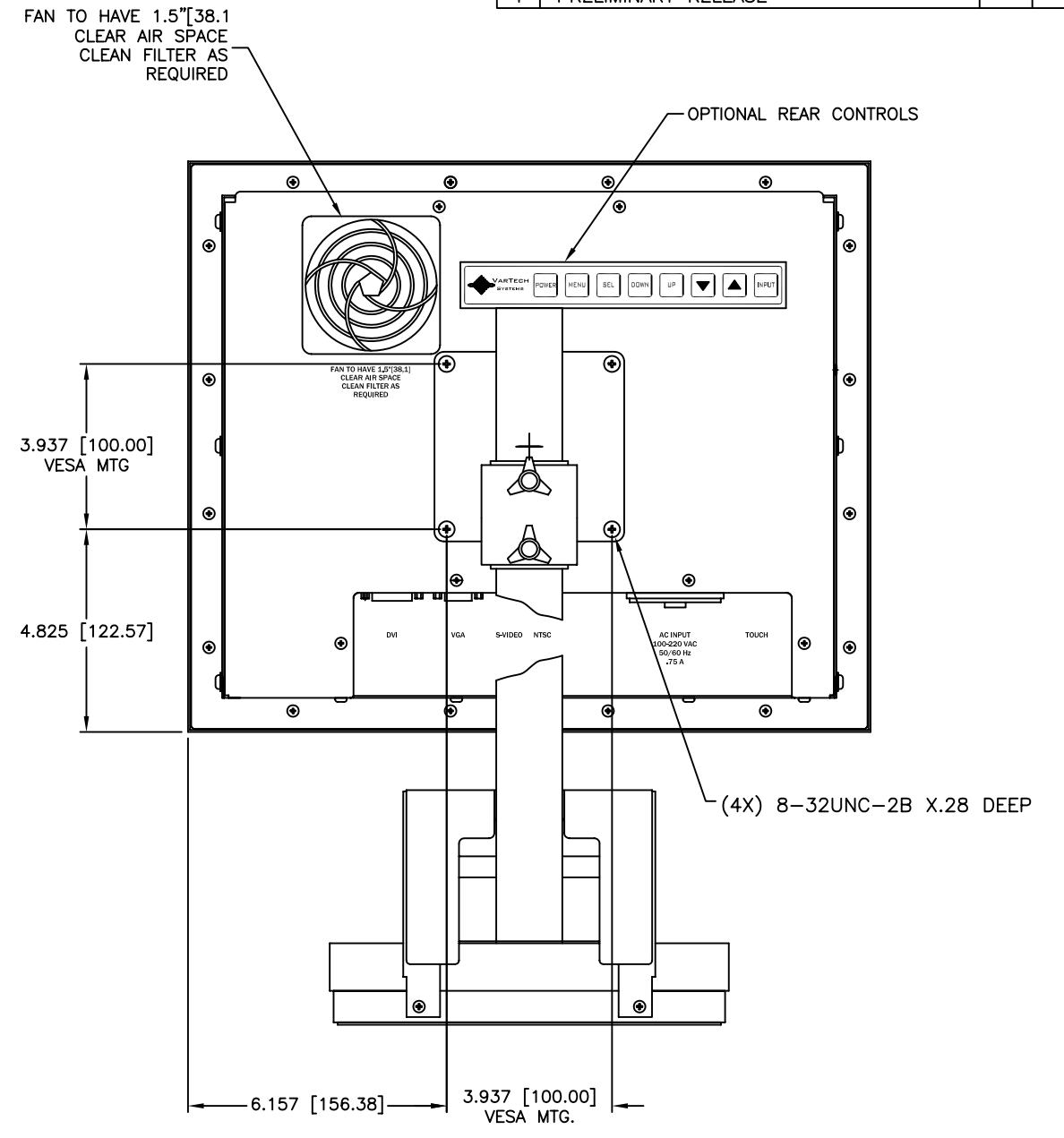
CHANGE HISTORY		
FILE INDEX	DESCRIPTION	APPROVAL INITIAL DATE
1	PRELIMINARY RELEASE	



FRONT VIEW



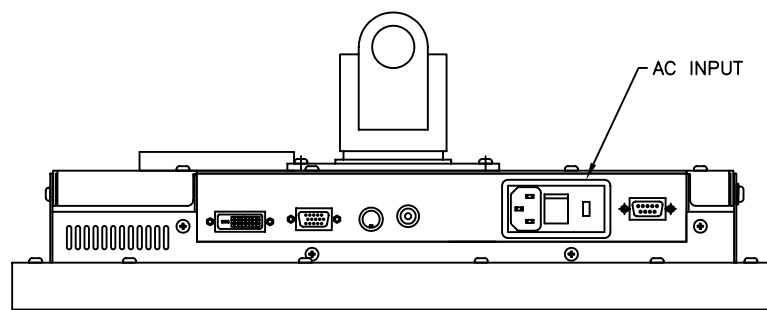
SIDE VIEW



REAR VIEW

NOTES:

- 1- ALL DIMENSIONS ARE NOMINAL AND FOR REFERENCE ONLY. THIS DRAWING SHOULD NOT BE USED FOR DESIGN PURPOSES.
- 2- WEIGHT OF UNIT IS XX LBS TOTAL
- 3- UNIT WILL BE SHIPPED IN TWO BOXES. SHIPPING WEIGHT.
MONITOR - XX LBS
BASE - 34 LBS



CONNECTOR VIEW
BASE REMOVED

ITEM	QTY	MFR. PT.NO.	DESCRIPTION	SYM/NOTE
LIST OF MATERIALS				
UNLESS OTHERWISE SPECIFIED DIMENSIONS ARE IN INCHES AND APPLY BEFORE FINISH SURFACE ROUGHNESS .125/ TOLERANCE ON FRACTIONS DECIMALS ANGLES		DRAWN DMS DATE 5/6/05		VARTECH SYSTEMS
± 1/64 ±.XX=.02 ± 1/2		CHECKED		
MATERIAL		DRAFTING		
FINISH		ENGINEER		
VT170M		MANUF		OUTLINE DRAWING VT170M
USED ON		APPROVED		
APPLICATION		QA		
SIZE D		DWG NO. 601-0179		REV 1
SCALE 1 : 2		SHEET 1 OF 1		